



MAZDA MX-5

ZOOM-ZOOM

*We explore cities and winding country roads.
Corners hugged and throttles revved.
Top down, even on cold winter days.
Stargazing, defying the wind.
I am the embodiment of Jinba Ittai.
You, the heart behind the wheel.
We were always meant to connect,
like a horse and rider,
car and driver as one.
Together, we are stronger.
We have a bond that words alone cannot describe.
We never drive alone.
We drive together.*







AWAKEN THE DRIVER IN YOU

Mazda MX-5 and Mazda MX-5 RF are the perfect translation of our Jinba Ittai philosophy. Once again, we have overcome expectations and made our iconic roadster more intuitive than ever. From a simple bolt to its unmatched SKYACTIV Technology, everything in Mazda MX-5 and Mazda MX-5 RF is designed to seamlessly connect and empower those sitting behind the wheel.



Download
DRIVE TOGETHER APP



Scan Pages
CONTAINING THE MOBILE ICON

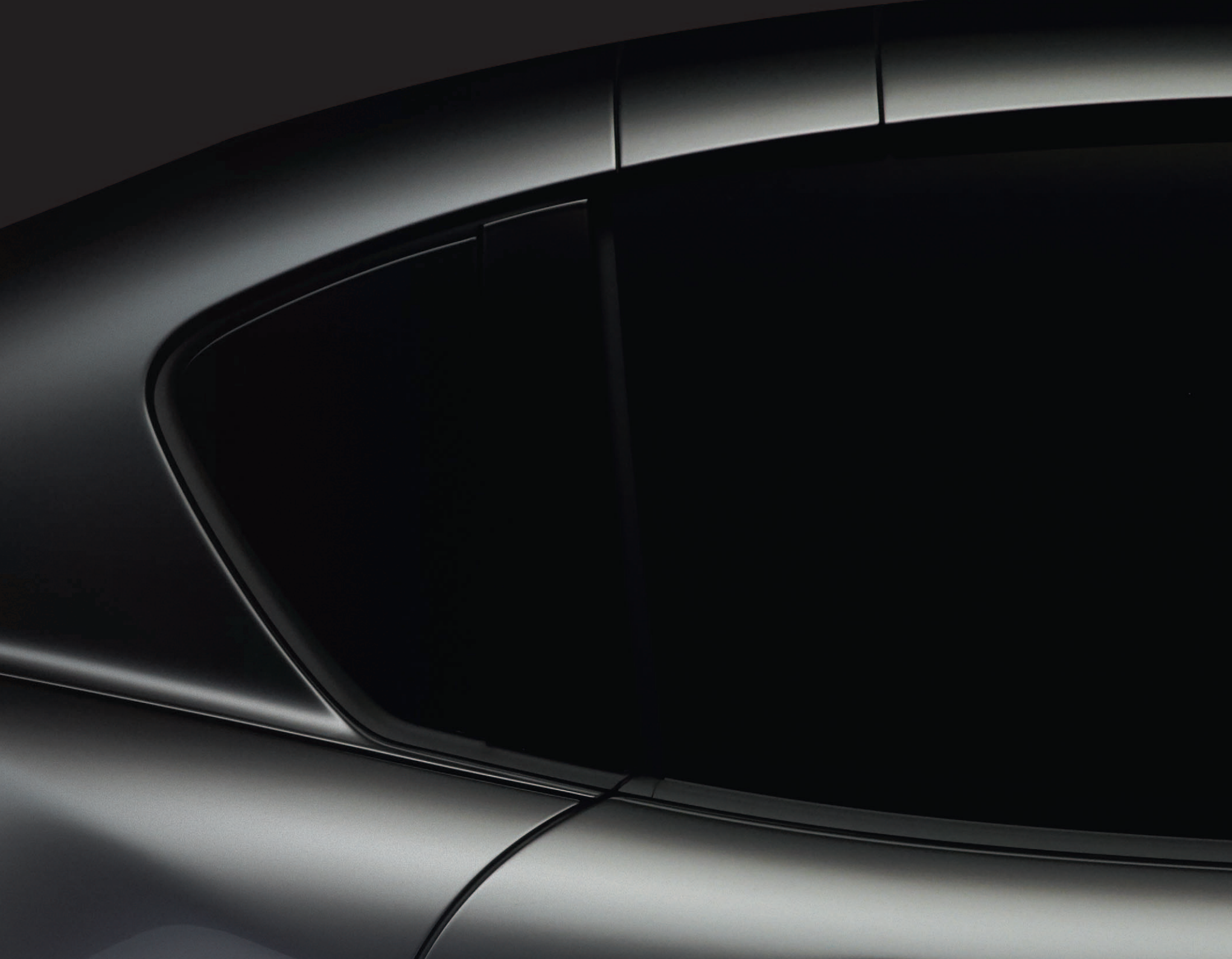


Explore
DIGITAL CONTENT

Enjoy Mazda's new DriveTogether App and get extra information on how our latest features can make your driving experience more enjoyable. All you have to do is download our Drive Together app on the AppStore or Google play. Look out for the mobile phone icon inside this brochure and scan it using the Drive Together app.



D E S I G N



GRAB THE WHEEL

Through its KODO: Soul of Motion design philosophy, Mazda MX-5 alludes to its superior handling ability through its sculptured and athletic form. Once behind the wheel, the lightweight body allows you to experience the exhilaration of open-air driving and fully connect with the road.

Featuring refinements in performance, technology and economy, it's no surprise Mazda MX-5 has been accredited so many awards.





MAZDA MX-5 RF SHOWN IN MACHINE GREY METALLIC AND MAZDA MX-5 CONVERTIBLE SHOWN IN SOUL RED CRYSTAL METALLIC, BOTH AVAILABLE AT ADDITIONAL COST



A TRUE DRIVING EXPERIENCE

Mazda MX-5 RF's retractable hardtop has been beautifully crafted using the flowing KODO: Soul of Motion design philosophy. This advanced roof can be opened whilst driving (up to 6mph), and takes only a few seconds to open or close, meaning you can have the wind in your hair before you know it.



LED REAR LIGHTS



LED HEADLIGHTS



17" BRIGHT ALLOY WHEELS



THE MAZDA MX-5'S DRIVER-CENTRIC COCKPIT FOCUSES ON DELIVERING PURE DRIVING PLEASURE



ENHANCED TOP DOWN AIR FLOW

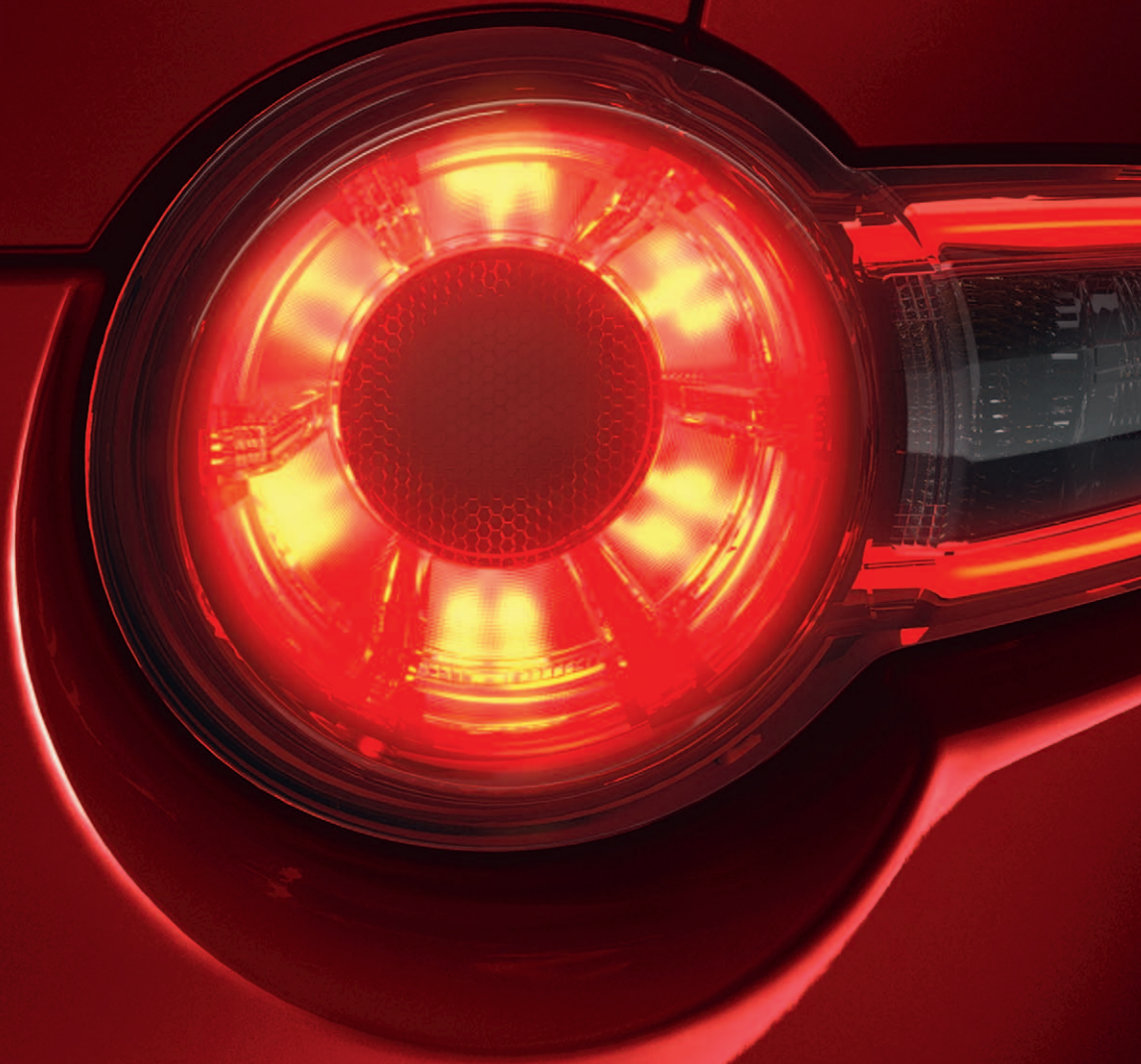


CLEAR POSITIONING OF INSTRUMENT PANEL



BLACK LEATHER IS STANDARD ON SPORT NAV+ MODELS

SKYACTIV
TECHNOLOGY





T E C H N O L O G Y

B E I N C H A R G E

Mazda MX-5 connects you to the rest of the world. By using a compatible mobile device you can access thousands of internet radio stations from around the globe. Via the Bluetooth® connection you can safely check and reply to text messages and stream your choice of music. You can even keep up to date with Facebook and Twitter*. All of this is easily controlled by using the 7" colour touch-screen display and intuitive Multimedia Commander.

* With compatible mobile device. Data usage and costs will vary. For further information please refer to the infotainment specification table.





MULTIMEDIA COMMANDER

Located between driver and front passenger, the Multimedia Commander allows you to operate the infotainment and connectivity system with minimal effort. It includes a separate volume dial for easy adjustment, ensuring you can concentrate on enjoying the drive. (Not available on 132ps SE+ models)



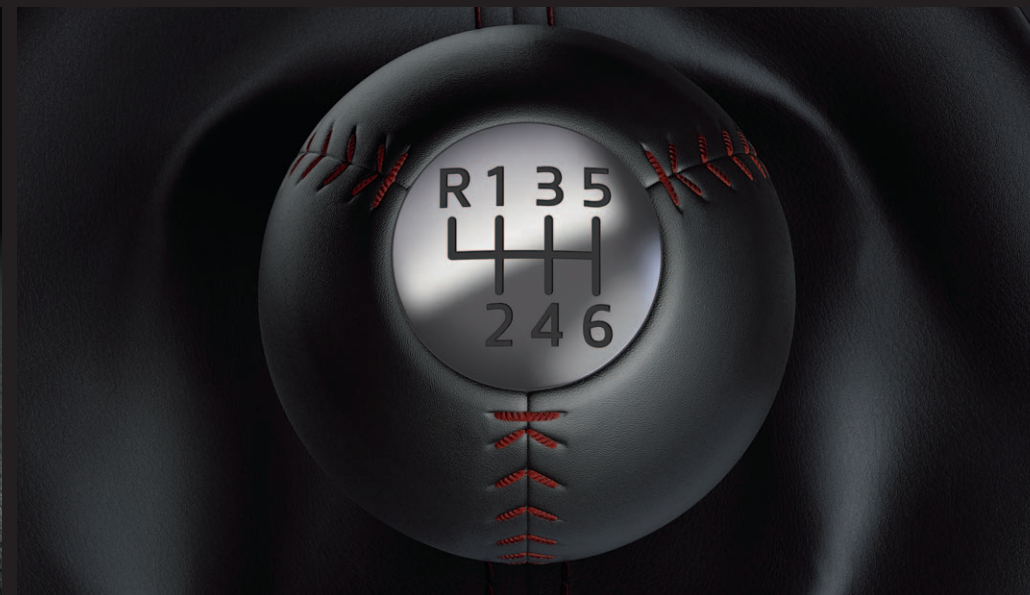
BOSE® SOUND SYSTEM

The sensational BOSE® surround-sound system features nine precisely positioned high-performance speakers, enveloping you in a rich, spacious sound experience to keep you entertained on every drive come rain or shine. (Available on Sport Nav+ and GT Sport Nav+ models only)



7" COLOUR TOUCH-SCREEN DISPLAY

A large 7" colour touchscreen display coupled with the intuitive Multimedia Commander, provides you with safe and easy fingertip access to all vehicle information, settings, navigation and entertainment. (Not available on 132ps SE+ models)



SHORT-THROW GEARSHIFT

Changing gear should be fun, not a chore. That's why the Mazda MX-5's gearbox has been developed to offer lightweight, fast and accurate gearshifts, turning the most mundane journey into an enjoyable one.

SKYACTIV TECHNOLOGY

SKYACTIV Technology is all about making driving more fun. Embracing all the technologies - engines, transmissions, chassis and body - it's an approach that completely reimagines the car from the ground up. Coupled with rear wheel drive, 50:50 weight distribution and a lower centre of gravity, SKYACTIV Technology enables Mazda MX-5 to deliver its thrilling driving experience, balanced with outstanding environmental and safety performance.



SKYACTIV BODY AND CHASSIS Rigid and lightweight, perfectly balanced and finely tuned - it's the fun-to-drive formula for pure exhilaration.



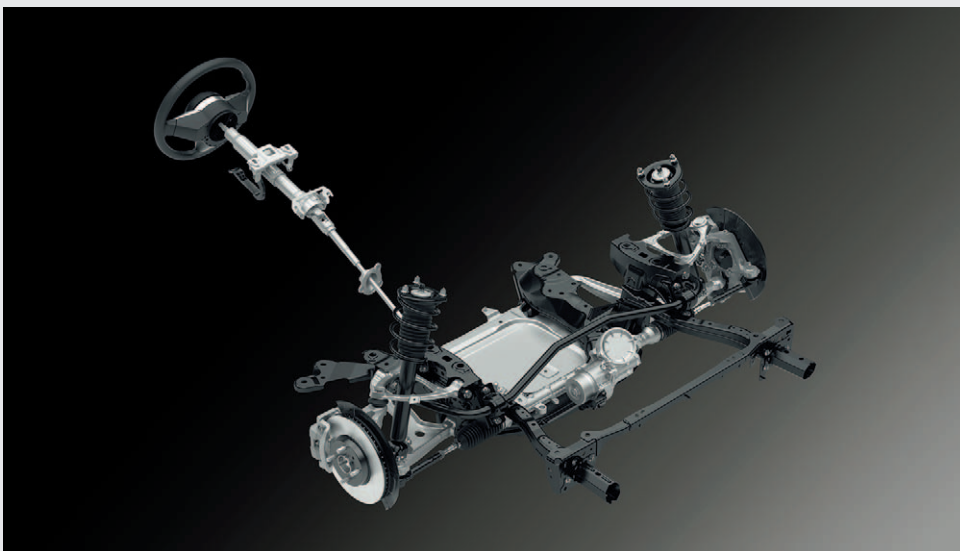
NEW BENCHMARKS FOR PERFORMANCE

With two versions of the SKYACTIV-G petrol engine available, you can choose from the light and agile 1.5 132ps, or the more powerful and highly tuned 2.0 184ps.



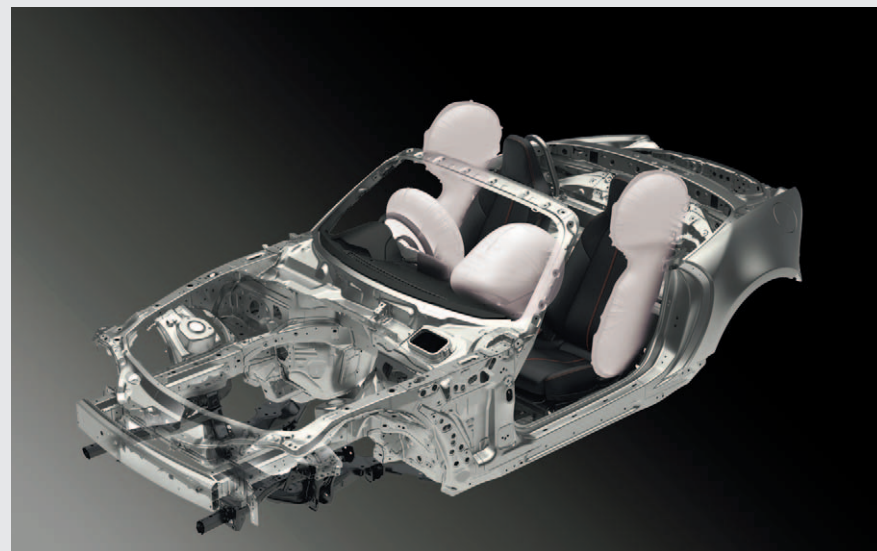
MORE POWER TO YOUR WHEELS

Our famed Mazda MX-5 manual gearbox offers lightweight, fast and accurate gearshifts, while the automatic gearbox features steering-wheel mounted paddle-shifters for maximum control.



PRECISE AND COMFORTABLE HANDLING

The SKYACTIV-Chassis delivers exceptional handling and stability, coupled with double-wishbone suspension at the front and a multilink arrangement at the rear, providing superb ride comfort.



WHEN BODY MEETS SOUL

The use of high-tensile steel allows for a rigid and lightweight body, offering high levels of safety with the engaging driving experience that the Mazda MX-5 has always been famed for.

IT'S ALL ABOUT THE DRIVER

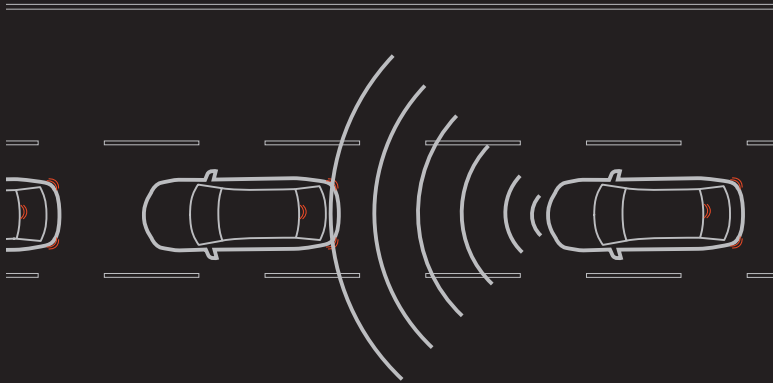
Mazda MX-5 contains an array of intelligent safety technologies that are designed to help you connect with your car and enjoy the drive. This is thanks to i-ACTIVSENSE technologies, an outstanding collection of safety features that use sensors and cameras to monitor your surroundings and provide protection and convenience.





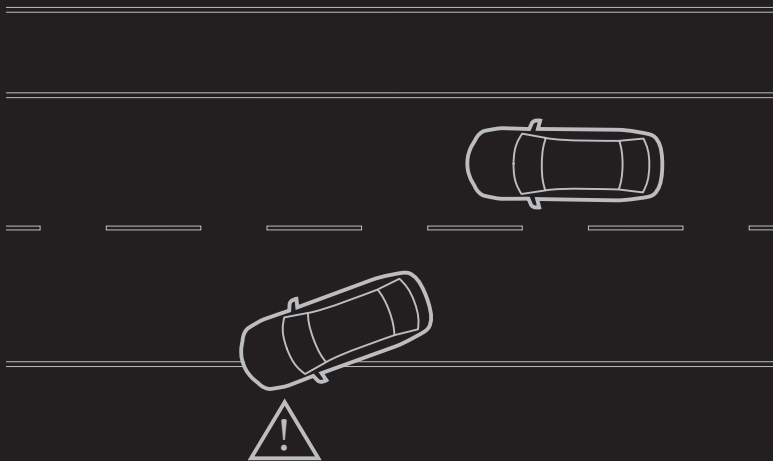
ADVANCED SAFETY TECHNOLOGY

Engineered from the ground up, Mazda MX-5 provides comprehensive all-round protection for you and your passenger. As standard, front and side airbags coupled with a rigid SKYACTIV-BODY offer protection when needed, whilst Mazda's i-ACTIVSENSE safety technologies work together to warn you of impending dangers meaning less chance of a collision. For pedestrians, Mazda's Active Bonnet aims to increase protection by creating a shock absorbing space between the bonnet and the engine if there is an impact at the front of the car. All these technologies offer that extra peace of mind when out on the open road.



ADVANCED SMART CITY BRAKE SUPPORT

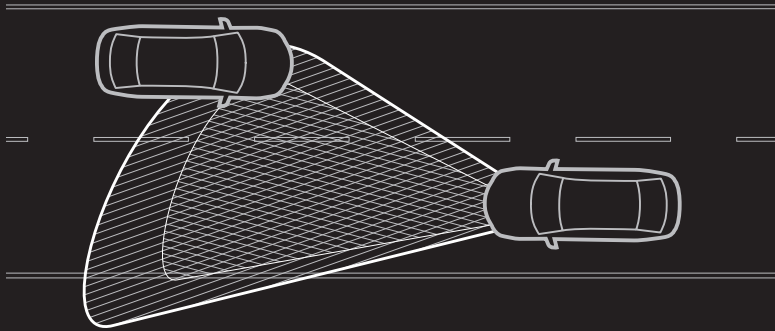
Designed to help avoid or minimise the effects of collisions at speeds up to approximately 50mph, the forward-facing camera and laser-based system continually monitors the gap and closing speed of the vehicle in front, and applies the brake if a collision is likely. When driving in the town or city, the pedestrian Autonomous Emergency Braking (AEB) system monitors the surroundings and aids the driver if the system detects a potential collision involving pedestrians, making driving safer. (Not available on SE+ and SE-L Nav+ models)



LANE DEPARTURE WARNING SYSTEM

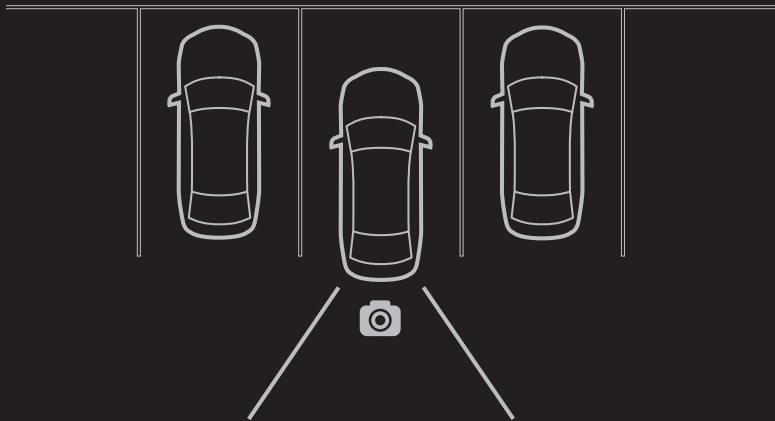
Detects the line markings on the road surface and instantly warns the driver in case of unintentional lane departure. A front-view camera calculates the car's position relative to the lane markings, and whenever the system detects that the car is about to move out of lane while the indicator is not switched on, it emits an audible warning to alert the driver. (Not available on SE+ and SE-L Nav+ models)





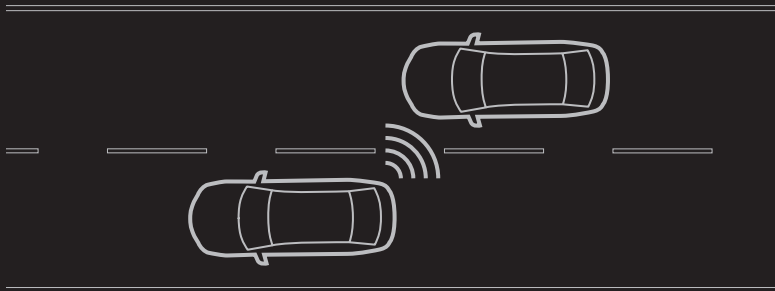
ADAPTIVE LED HEADLIGHTS*

Designed to work at night, the system analyses vehicles ahead or those approaching in the opposite direction, and automatically switches between high and low beams by switching individual LED bulbs on and off as necessary. This makes it possible to drive with the high beam on at all times, significantly improving visibility when driving at night, without dazzling other drivers.



REVERSING CAMERA*

Designed to help you manoeuvre with ease, the reversing camera improves rear visibility with the image shown on the 7" colour touch-screen display, helping you achieve the perfect positioning.



BLIND SPOT MONITORING*

Warns you of a vehicle entering a detection zone situated up to 50 meters behind, by activating a door-mirror mounted warning light on the relevant side of the vehicle. If you then indicate prior to turning in that direction, the warning light flashes and an audible alert sounds. Working at speeds as low as 20mph, this system can prevent drivers from moving into the path of a following vehicle.

REAR CROSS TRAFFIC ALERT*

Designed for when the vehicle is reversing, an alarm alerts you of any vehicles or obstacles approaching from either side of the rear of the car, and silences once the area is clear.



*Part of the optional Safety Pack, available on 184ps Sport Nav+ models, at additional cost or included as standard on GT Sport Nav+ models



C H O I C E S

SE + *MX-5*

STANDARD FEATURES:

- 16" Alloy wheels
- Electrically-adjustable heated door mirrors
- LED headlights
- Coming home / leaving home lights
- Halogen daytime running lights
- Electric windows
- Black cloth seat trim
- Telescopic and tilt adjustable steering wheel
- Steering wheel-mounted audio controls
- Leather-wrapped steering wheel and gear knob
- Engine start / stop button

- AM / FM radio with 4 speakers, CD player, USB and iPod® connectivity
- Manual air-conditioning
- Trip computer
- Remote keyless entry
- Black fashion bars
- Driver and passenger front and side airbags
- Dynamic Stability Control
- Traction Control System
- Hill Hold Assist

OPTIONS:

- Metallic / Mica / Pearlescent paint





HUMAN-CENTRIC COCKPIT

Built around the driver, the cockpit is designed to provide the ultimate driving experience. When you settle behind the wheel, you will see that all controls are positioned to fall easily to hand, so all you need to do is press the engine start/stop button and start your adventure.



ENGINE START / STOP BUTTON

Allows you to conveniently start or stop the engine without having to insert the key.



LED HEADLIGHTS

See and be seen with the LED Headlights, designed to ensure you get noticed for all the right reasons, providing the car with a powerful presence on the road.

SE-L NAV+ *MX-5 / MX-5 RF*

IN ADDITION TO 132PS SE+ GRADE:

- 16" Black alloy wheels
- LED daytime running lights
- Climate control air-conditioning
- Premium black cloth seat trim with red stitching
- Heated seats
- Cruise control
- Adjustable speed limiter
- 7" Colour touch-screen display
- Multimedia Commander

- Integrated Bluetooth® with steering wheel-mounted controls
- Internet app integration for internet radio, Facebook and Twitter*
- DAB radio
- Driver headrest speakers
- Body colour co-ordinated interior upper door trim
- Piano Black fashion bars
- Piano Black door mirrors
- Integrated navigation system with 3-years free European map updates

IN ADDITION TO 132PS SE-L NAV+, 184PS SE-L NAV+ ADDS:

- 17" Black alloy wheels
- Limited Slip Differential
- i-stop
- i-ELOOP (regenerative braking system)

OPTIONS:

- Metallic / Mica / Pearlescent paint

*With compatible mobile device. Data usage and costs will vary.
For further information please refer to Infotainment specification table.





CONNECT WITH YOUR CAR

SE-L Nav+ models feature MZD-Connect, an infotainment system which features a variety of entertainment options, as well as vehicle information, satellite navigation and advanced phone connectivity, which is all displayed via the 7" colour touch-screen.



RF BUTTON CONTROL

The retractable hardtop on the Mazda MX-5 RF can be opened or closed in just 13 seconds, simply by pressing the switch located near the centre console.



MULTIMEDIA COMMANDER

Located on the centre console, the Multimedia Commander allows you to operate the MZD-Connect infotainment system with minimal effort. It includes a separate volume dial for easy adjustment, ensuring you can concentrate on enjoying the drive.

SPORT NAV+ *MX-5 / MX-5 RF*

IN ADDITION TO 132PS SE-L NAV+ GRADE:

- 16" Bright alloy wheels
- Body coloured door mirrors
- Rear parking sensors
- Dusk-sensing lights
- Rain-sensing front wipers
- Adaptive Front lighting System
- Black leather seat trim with red stitching
- Auto-dimming rear-view mirror
- Smart keyless entry
- Premium Bose® sound system with 9 speakers (incl. two driver and two passenger headrest speakers)
- Advanced Smart City Brake Support
- Rear Smart City Brake Support
- Lane Departure Warning System
- Driver Attention Alert
- Traffic Sign Recognition

IN ADDITION TO 132PS SPORT NAV+, 184PS SPORT NAV+ ADDS:

- 17" Bright alloy wheels
- Sports suspension featuring Bilstein dampers*
- Strut brace*
- Limited Slip Differential*
- i-stop
- i-ELOOP (regenerative braking system)

OPTIONS:

- Metallic / Mica / Pearlescent paint
- Sand leather seat trim¹⁾
- Nappa leather seat trim²⁾
- Safety Pack (Adaptive LED headlights, Reversing Camera and Blind Spot Monitoring with Rear Cross Traffic Alert)³⁾

* Only available on 184ps manual models.

¹⁾ Optional on Convertible 132ps Sport Nav+ models only.

²⁾ Optional on RF 132ps Sport Nav+ models only.

³⁾ Optional on Convertible and RF 184ps Sport Nav+ models only.





COMFORT AND CONVENIENCE

Equipped with Smart keyless entry, you can effortlessly lock and unlock the vehicle whilst the key is still in your pocket or bag. Once inside, the luxurious cabin welcomes you with an array of convenient features including dusk-sensing headlights, rain-sensing wipers and an auto-dimming rear view mirror.



BOSE® HEADREST SPEAKERS

Both driver and passenger are provided BOSE® headrest speakers which provide crisp and clear audio whether the roof is up or down.



HEATED BLACK LEATHER SEATS

Get comfortable in the leather trimmed seats featuring 3-stage heating adding to both driver and passenger comfort on those chilly days.

GT SPORT NAV+ *MX-5*

IN ADDITION TO 184PS SPORT NAV+ GRADE:

- Sand leather seats
- Brilliant Black boot lid spoiler
- Stainless steel scuff plates
- Blind Spot Monitoring System with Rear Cross Traffic Alert
- Adaptive LED headlights
- Reversing Camera

OPTIONS:

- Metallic / Mica / Pearlescent paint





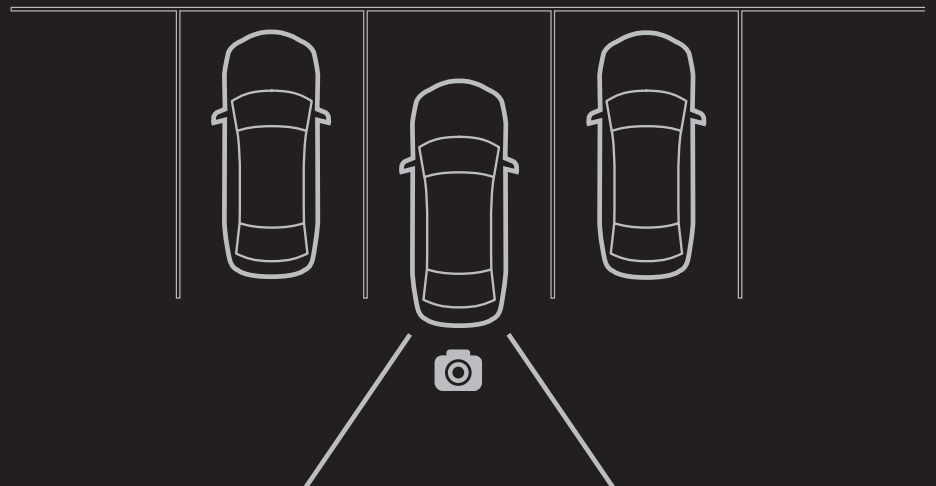
SAND LEATHER INTERIOR

The Sand leather interior on the Convertible GT Sport Nav+ complements the interior with colour coded door inserts and dashboard panel.



BRILLIANT BLACK BOOT LID SPOILER

An added touch of style hints at the Mazda MX-5's sporting credentials.



REVERSING CAMERA

Designed to help you manoeuvre with ease, our reversing camera improves rear visibility. The rear Camera is shown on the 7" colour touch-screen display, helping you to avoid obstacles.

GT SPORT NAV+ *MX-5 RF*

IN ADDITION TO 184PS SPORT NAV+ GRADE:

- Nappa leather seats
- Brilliant Black boot lid spoiler
- Stainless steel scuff plates
- Blind Spot Monitoring System with Rear Cross Traffic Alert
- Adaptive LED headlights
- Reversing Camera

OPTIONS:

- Metallic / Mica / Pearlescent paint





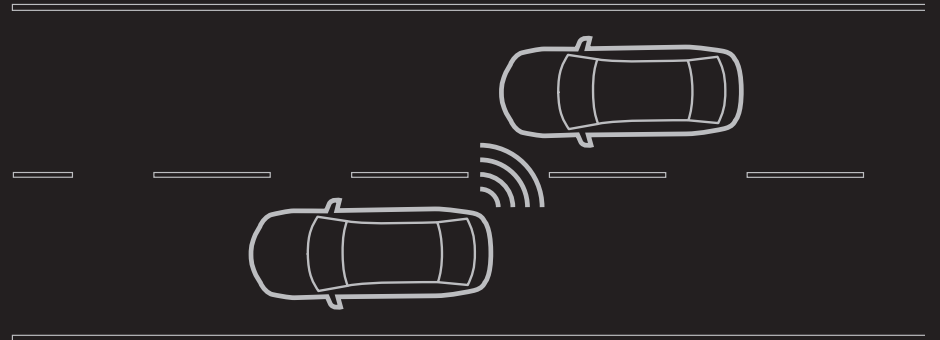
NAPPA LEATHER INTERIOR

The rich dark tones of Nappa leather adorns the interior and further compliments the satin chrome features, adding an air of luxuriousness to the RF.



STAINLESS STEEL SCUFF PLATES

When you open the door, you are greeted by the stylish stainless steel scuff plates which also provide day-to-day protection from scuffs and knocks.



ADVANCED SAFETY

GT Sport Nav+ models come equipped with an array of i-ACTIVSENSE safety features including Blind Spot Monitoring, which informs the driver of vehicles entering their blind spot.

TRIMS



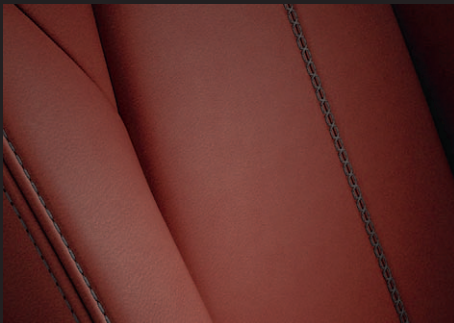
BLACK CLOTH WITH BLACK STITCH
(SE+)



BLACK CLOTH WITH RED STITCH
(SE-L NAV+)



BLACK LEATHER WITH RED STITCH
(SPORT NAV+)



NAPPA LEATHER
(RF GT SPORT NAV+)
(OPTIONAL ON RF 132PS SPORT
NAV+ MODELS AT ADDITIONAL
COST)



SAND LEATHER
(CONVERTIBLE GT SPORT NAV+)
(OPTIONAL ON CONVERTIBLE 132PS
SPORT NAV+ MODELS AT ADDITIONAL
COST)

WHEELS



16" ALLOY WHEELS
(132PS SE+)



16" BLACK
ALLOY WHEELS
(132PS SE-L NAV+)



17" BLACK
ALLOY WHEELS
(184PS SE-L NAV+)

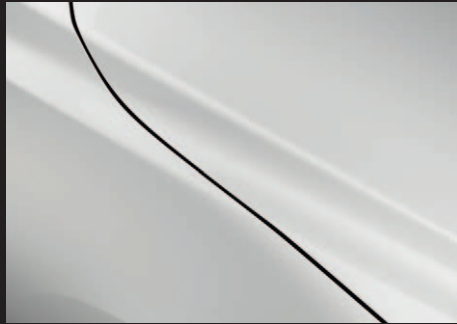


16" BRIGHT
ALLOY WHEELS
(132PS SPORT NAV+)

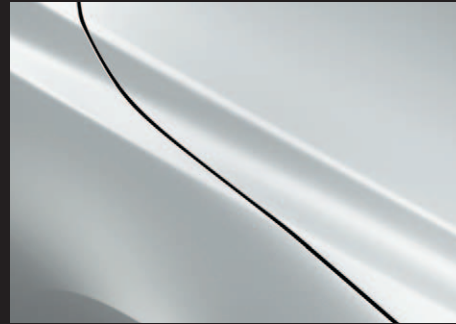


17" BRIGHT
ALLOY WHEELS
(184PS SPORT NAV+ /
GT SPORT NAV+)

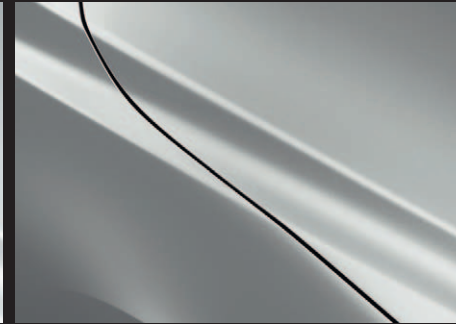
COLOURS



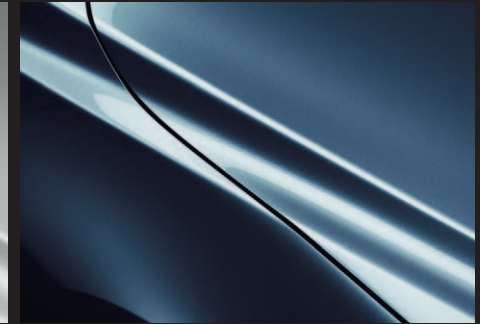
ARCTIC WHITE SOLID



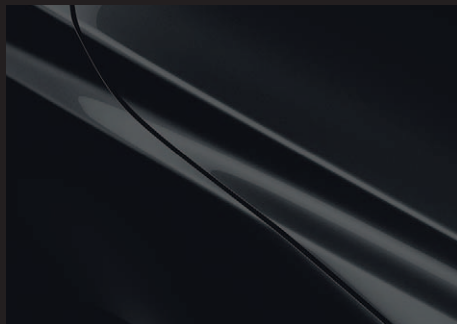
SNOWFLAKE WHITE PEARLESCENT



CERAMIC METALLIC



ETERNAL BLUE MICA



JET BLACK MICA



MACHINE GREY METALLIC



SOUL RED CRYSTAL METALLIC

Model	Exterior Colour						
	Arctic White Solid (A4D)	Snowflake White Pearlescent (25D)	Ceramic Metallic (47A)	Eternal Blue Mica (45B)	Jet Black Mica (41W)	Machine Grey Metallic (46G)	Soul Red Crystal Metallic (46V)
SE+	●	○	○	○	○	○	○
SE-L Nav+	●	○	○	○	○	○	○
Sport Nav+	●	○	○	○	○	○	○
GT Sport Nav+	●	○	○	○	○	○	○

● = Available; ○ = Option at extra cost.

Colour and trim samples shown in this brochure may vary from the actual colours because of the limitations of the printing process.

ACCESSORIES



BRILLIANT BLACK FRONT AND SIDE AIRDAM SKIRTS



17" DIAMOND CUT ALLOY WHEELS



CARBON FIBRE LUGGAGE CARRIER*

*Only available for convertible model



LUXURY ALCANTARA DASHBOARD PANEL



LUXURY FLOOR MATS



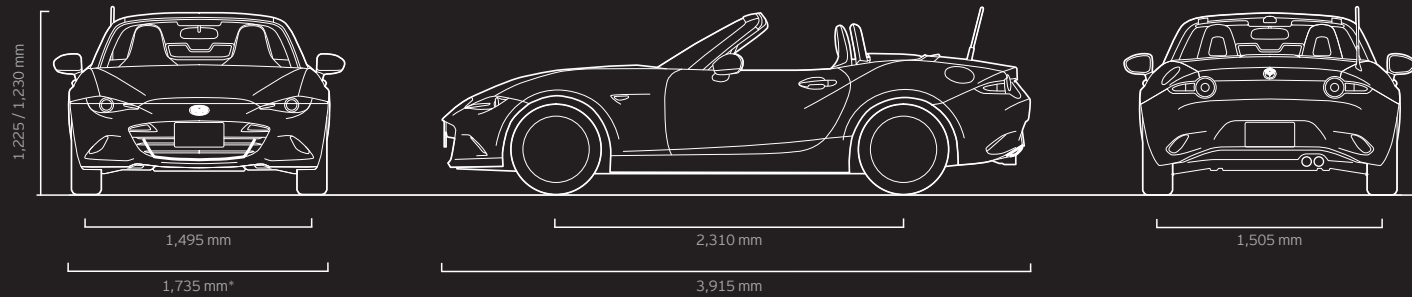
BRILLIANT BLACK REAR SPOILER AND REAR UNDER SKIRT

SPECIFICATIONS

Dimensions and Weights

		1.5 SKYACTIV-G Petrol 132ps Manual Convertible	2.0 SKYACTIV-G Petrol 184ps Manual Convertible
Overall length / width* / height (mm)		3,915 / 1,735 / 1,225	3,915 / 1,735 / 1,230
Wheelbase (mm)		2,310	2,310
Ground clearance (mm) between the axles - unladen		141	149
Track (mm):	Front	1,495	1,495
	Rear	1,505	1,505
Headroom / leg room / shoulder room (mm)		950 / 1,096 / 1,325	950 / 1,096 / 1,325
Cargo volume, acc. to VDA (litres):		130	130
Brake disc diameter (mm):	Ventilated front disc	258	280
	Rear disc	255	280
Kerb weight (kg) incl. driver (75 kg)		1,061	1,105
Permitted gross vehicle weight (kg)	Total	1,215	1,260
	Front / rear	610 / 605	645 / 615

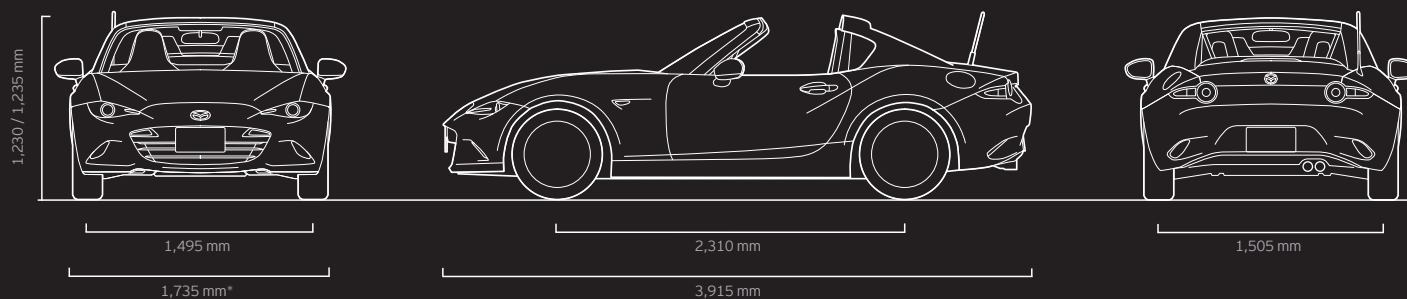
*Vehicle width excludes wing mirrors.



Dimensions and Weights

		1.5 SKYACTIV-G Petrol 132ps Manual Retractable Fastback (RF)	2.0 SKYACTIV-G Petrol 184ps Manual Retractable Fastback (RF)	2.0 SKYACTIV-G Petrol 184ps Automatic Retractable Fastback (RF)
Overall length / width* / height (mm)		3,915 / 1,735 / 1,230	3,915 / 1,735 / 1,235	3,915 / 1,735 / 1,235
Wheelbase (mm)		2,310	2,310	2,310
Ground clearance (mm) between the axles - unladen		141	147	147
Track (mm):	Front	1,495	1,495	1,495
	Rear	1,505	1,505	1,505
Headroom / leg room / shoulder room (mm)		935.7 / 1,096 / 1,325	935.7 / 1,096 / 1,325	935.7 / 1,096 / 1,325
Cargo volume, acc. to VDA (litres):		127	127	127
Brake disc diameter (mm):	Ventilated front disc	258	280	280
	Rear disc	255	280	280
Kerb weight (kg) incl. driver (75 kg)		1,105	1,148	1,188
Permitted gross vehicle weight (kg)	Total	1,265	1,305	1,320
	Front / rear	620 / 645	645 / 660	655 / 665

*Vehicle width excludes wing mirrors.



SPECIFICATIONS

Model Availability	1.5 SKYACTIV-G Petrol 132ps Manual	2.0 SKYACTIV-G Petrol 184ps Manual	2.0 SKYACTIV-G Petrol 184ps Automatic
SE+	◆	–	–
SE-L Nav+	●	●	–
Sport Nav+	●	●	▲
GT Sport Nav+	–	●	▲

● = Available; – = Not available; ◆ = Convertible only; ▲ = RF only.

Engine Type	1.5 SKYACTIV-G Petrol 132ps Manual	2.0 SKYACTIV-G Petrol 184ps Manual	2.0 SKYACTIV-G Petrol 184ps Automatic
Displacement (cc)	1,496	1,998	1,998
Bore x stroke (mm)	74.5 x 85.8	83.5 x 91.2	83.5 x 91.2
Valves per cylinder	4	4	4
Maximum output [ps (KW) / rpm]	132 (97) / 7,000	184 (135) / 7,000	184 (135) / 7,000
Maximum torque (Nm / rpm)	152/4,500	205/4,000	205/4,000
Compression ratio	13.0:1	13.0:1	13.0:1
i-stop system	–	●	●
i-ELOOP system: Brake regeneration system	–	●	●

● = Available; – = Not available

Transmission	1.5 SKYACTIV-G Petrol 132ps Manual	2.0 SKYACTIV-G Petrol 184ps Manual	2.0 SKYACTIV-G Petrol 184ps Automatic
Type	6-speed manual	6-speed manual	6-speed automatic
Gear ratios:			
1 st	5.087	5.087	3.538
2 nd	2.991	2.991	2.060
3 rd	2.035	2.035	1.404
4 th	1.594	1.594	1.000
5 th	1.286	1.286	0.713
6 th	1.000	1.000	0.582
Reverse	4.696	4.696	3.168
Final gear ratio	2.866	2.866	3.583

Steering	1.5 SKYACTIV-G Petrol 132ps Manual	2.0 SKYACTIV-G Petrol 184ps Manual	2.0 SKYACTIV-G Petrol 184ps Automatic
Steering gear	Electronic Power Assist System (DP-EPAS) rack and pinion		
Minimum turning circle (wall to wall) (m)	10.04	10.04	10.04

Performance and Economy	1.5 SKYACTIV-G Petrol 132ps Manual		2.0 SKYACTIV-G Petrol 184ps Manual		2.0 SKYACTIV-G Petrol 184ps Automatic
	Convertible	RF	Convertible	RF	RF
Acceleration (0-62 mph in sec)	8.3	8.7	6.5	6.8	7.9
Top speed (mph)	127	126	136	137	124
Fuel consumption ¹⁾ [mpg / (l/100 km)]:					
Urban	34.4 (8.2)	34.4 (8.2)	33.6 (8.4)	33.6 (8.4)	34.4 (8.2)
Extra Urban	54.3 (5.2)	54.3 (5.2)	47.9 (5.9)	47.9 (5.9)	46.3 (6.1)
Combined	44.8 (6.3)	44.8 (6.3)	40.9 (6.9)	40.9 (6.9)	40.9 (6.9)
CO ₂ emissions ¹⁾ (g/km)	143	143	156	156	157
EC emission level	EC Stage 6d-TEMP		EC Stage 6d-TEMP		EC Stage 6d-TEMP
Recommended fuel	Unleaded 95 RON		Unleaded 95 RON		Unleaded 95 RON
Fuel tank capacity (L)	45	45	45	45	45

¹⁾ Vehicles are homologated in accordance with the new type approval procedure WLTP (Regulation (EU) 2017/1151; Regulation (EC) 715/2007). To provide comparability the referred values are NEDC values determined in line with Implementation Regulation (EU) 2017/1153.

Safety and Security

	132ps SE+	132ps SE-L Nav+	184ps SE-L Nav+	132ps Sport Nav+	184ps Sport Nav+	184ps Sport Nav+ Automatic	184ps GT Sport Nav+	184ps GT Sport Nav+ Automatic
Supplementary Restraint System (SRS) - Central control unit and crash sensors, front seatbelt pre-tensioners, load-limiters and airbag system	●	●	●	●	●	●	●	●
Four-Wheel Anti-lock Braking System (4W-ABS) with Electronic Brake-force Distribution (EBD)	●	●	●	●	●	●	●	●
Active Bonnet - Deployable Hood System (DHS) - in a frontal collision the bonnet raises to maximise pedestrian protection when travelling at more than 12.4 mph	●	●	●	●	●	●	●	●
Four-wheel disc brakes: Ventilated front, solid rear	●	●	●	●	●	●	●	●
Blind Spot Monitoring System with Rear Cross Traffic Alert	-	-	-	-	□	□	●	●
Reversing Camera	-	-	-	-	□	□	●	●
Adaptive LED Headlights (ALH)	-	-	-	-	□	□	●	●
Dynamic Stability Control (DSC) with Traction Control System (TCS)	●	●	●	●	●	●	●	●
Tyre Pressure Monitoring System (TPMS)	●	●	●	●	●	●	●	●
Limited Slip Differential (LSD)	-	-	●	-	●	-	●	-
Lane Departure Warning System (LDWS)	-	-	-	●	●	●	●	●
Advanced Smart City Brake Support (SCBS) including Autonomous Emergency Braking (AEB)	-	-	-	●	●	●	●	●
Rear Smart City Braking Support (RSCBS)	-	-	-	●	●	●	●	●
Traffic Sign Recognition (TSR)	-	-	-	●	●	●	●	●
Driver Attention Alert (DAA)	-	-	-	●	●	●	●	●
Dual front airbags	●	●	●	●	●	●	●	●
Automatic passenger airbag deactivation system	●	●	●	●	●	●	●	●
Side airbags	●	●	●	●	●	●	●	●
Hill Hold Assist	●	●	●	●	●	●	●	●
Seatbelts: 3-point (ELR) x 2 with pre-tensioner and force limiter	●	●	●	●	●	●	●	●
Front seatbelt reminder screen, with audible warning	●	●	●	●	●	●	●	●
ISOFIX child seat anchorage: Passenger seat	●	●	●	●	●	●	●	●
Thatcham category 1 alarm and immobiliser system	●	●	●	●	●	●	●	●

● = Available; - = Not available; □ = Part of an optional Safety Pack for 184ps Sport Nav+ models. Available at additional cost.

SPECIFICATIONS

Exterior		132ps SE+	132ps SE-L Nav+	184ps SE-L Nav+	132ps Sport Nav+	184ps Sport Nav+	184ps Sport Nav+ Automatic	184ps GT Sport Nav+	184ps GT Sport Nav+ Automatic
Tyres and wheels:	195 / 50 R16 with 16" alloy wheels	●	–	–	–	–	–	–	–
	195 / 50 R16 with 16" Black alloy wheels	–	●	–	–	–	–	–	–
	205 / 45 R17 with 17" Black alloy wheels	–	–	●	–	–	–	–	–
	195 / 50 R16 with 16" Bright alloy wheels	–	–	–	●	–	–	–	–
	205 / 45 R17 with 17" Bright alloy wheels	–	–	–	–	●	●	●	●
	Emergency tyre repair kit	●	●	●	●	●	●	●	●
Metallic / Mica / Pearlescent paint	○	○	○	○	○	○	○	○	
Sport suspension	Bilstein dampers with strut brace		–	–	–	–	–	–	
Dual exhaust system	●	●	●	●	●	●	●	●	
Wipers	Front, adjustable speed with intermittent wipe	●	●	●	–	–	–	–	
	Front, rain-sensing wipers	–	–	–	●	●	●	●	
Headlights:	LED, with automatic headlight levelling	●	●	●	●	●	●	●	
	Adaptive Front lighting System (AFS)	–	–	–	●	●	●	●	
	Dusk-sensing headlights	–	–	–	●	●	●	●	
	Halogen daytime running lights	●	–	–	–	–	–	–	
	LED daytime running lights	–	●	●	●	●	●	●	
	Coming home / leaving home lights	●	●	●	●	●	●	●	
Rear brake light, high-mounted:	Black cover	●	–	–	–	–	–	–	
	Body colour cover	–	●	●	●	●	●	●	
Parking distance sensors:	Rear (with audible warning only)		–	–	●	●	●	●	
Brilliant Black rear spoiler	–	–	–	–	–	–	●	●	
Electrically-adjustable, heated door mirrors	Body colour	●	–	–	●	●	●	●	
	Piano Black	–	●	●	–	–	–	–	
Fashion bar cladding:	Black	●	–	–	–	–	–	–	
	Piano Black	–	●	●	●	●	●	●	
Fuel filler lid:	Body colour		●	●	●	●	●	●	
Convertible top:	Premium cloth soft-top with heated rear glass window, manually-operated (Mazda MX-5 Convertible)	●	●	●	●	●	–	●	
	Body colour power retractable hardtop, with heated rear glass window, automatically-operated (Mazda MX-5 Retractable Fastback)	–	●	●	●	●	●	●	

● = Available; – = Not available; ○ = Option available at additional cost.

Additional Exterior Options

Tyres and wheels:	See page 38 for accessory wheel option
Sports Aero Kit: (Brilliant Black)	Front Airdam Skirt
	Air deflector for Front Airdam Skirt
	Side Airdam Skirt
	Rear Under Skirt
Rear spoiler:	Painted in Brilliant Black
Front pillar trim ¹⁾ :	High Intensity Silver
Fashion bar cladding ¹⁾ :	High Intensity Silver
Parking distance sensors:	Reversing camera
	Rear (with audible warning only)
Boot lid luggage carrier ¹⁾ :	Carbon fibre, with built-in brake light, 10 kg maximum load capacity
	Belts, required to fix suitcase on boot rack base
Suitcase ¹⁾ :	With Mazda logo

● = Available; – = Not available; ○ = Option available at additional cost.

¹⁾ Convertible models only

Please contact your local dealer for further information and availability.

SPECIFICATIONS

Interior		132ps SE+	132ps SE-L Nav+	184ps SE-L Nav+	132ps Sport Nav+	184ps Sport Nav+	184ps Sport Nav+ Automatic	184ps GT Sport Nav+	184ps GT Sport Nav+ Automatic
Seats:	Driver's seat manual slide, recline and tilt adjustment	●	●	●	●	●	●	●	●
	Passenger's seat manual slide and recline adjustment	●	●	●	●	●	●	●	●
	Premium black cloth trim with black stitching	●	–	–	–	–	–	–	–
	Premium black cloth trim with red stitching	–	●	●	–	–	–	–	–
	Black leather trim with red stitching ¹⁾	–	–	–	●	●	●	–	–
	Sand leather trim with sand stitching (Convertible only) ¹⁾	–	–	–	○	–	–	●	●
	Nappa leather trim with nappa stitching (RF only) ¹⁾	–	–	–	○	–	–	●	●
	Heated seats (3-stage settings)	–	●	●	●	●	●	●	●
Windblocker:	Standard type (Convertible only)	●	●	●	●	●	–	●	–
	Transparent (RF only)	–	●	●	●	●	●	●	●
Steering wheel:	Leather wrapped	●	●	●	●	●	●	●	●
	Tilt adjust	●	●	●	●	●	●	●	●
	Telescopic Adjustment	●	●	●	●	●	●	●	●
Gear knob:	Leather-wrapped with chrome surround	●	●	●	●	●	●	●	
Inner door handles:	Satin silver	●	–	–	–	–	–	–	–
	Satin Chrome	–	●	●	●	●	●	●	●
Handbrake:	Leather-wrapped	●	●	●	●	●	●	●	
Upper door trim:	Black	●	–	–	–	–	–	–	
	Exterior body colour	–	●	●	●	●	●	●	●
Scuff Plates		–	–	–	–	–	–	●	●
Air-conditioning dials:	Black	●	–	–	–	–	–	–	–
	Satin Chrome	–	●	●	●	●	●	●	●
Air vent surrounds	Black	●	●	●	–	–	–	–	–
	Satin Chrome	–	–	–	●	●	●	●	●
Auto-dimming rear-view mirror		–	–	–	●	●	●	●	
Storage spaces	Rear centre box wth lid (lockable)	●	●	●	●	●	●	●	●
	Coinbox	●	●	●	●	●	●	●	●
	One cupholder (detachable)	●	–	–	–	–	–	–	–
	Two cupholders (detachable)	–	●	●	●	●	●	●	●
Meter set display:	Trip computer	●	●	●	●	●	●	●	●
	Analogue speedometer	●	●	●	●	●	●	●	●
	Chrome meter rings	●	●	●	●	●	●	●	●
Interior courtesy light		●	●	●	●	●	●	●	

● = Available; – = Not available; ○ = Option available at additional cost.

¹⁾ Leather refers to centre seat facing and side support.

Additional Interior Options

Luxury Alcantara dashboard panel	
Welcome illumination	
Alcantara door panel	
Alcantara gear shift boots	
Alcantara parking brake boots	
Floor mats:	Premium black, with 'MX-5' logo
Alloy pedal set	Acceleration pedal
	Brake and clutch ²⁾ pedal
	Foot rest
Further storage spaces:	Seatback pocket (driver side)

²⁾ Manual only.

Please contact your local dealer for further information and availability.

Comfort and Convenience

		132ps SE+	132ps SE-L Nav+	184ps SE-L Nav+	132ps Sport Nav+	184ps Sport Nav+	184ps Sport Nav+ Automatic	184ps GT Sport Nav+	184ps GT Sport Nav+ Automatic
Remote central locking with deadlocking and remote boot release		●	●	●	●	●	●	●	●
Smart keyless entry:	Allows opening and locking of the vehicle without removing the key from your pocket or bag	–	–	–	●	●	●	●	●
Engine start / stop button		●	●	●	●	●	●	●	●
Gear-shift indicator		●	●	●	●	●	●	●	●
Power steering	Double Pinion Electric Power Assisted Steering (DP-EPAS)	●	●	●	●	●	●	●	●
Cruise control:	With manual speed adjustment	–	●	●	●	●	●	●	●
Adjustable speed limiter		–	●	●	●	●	●	●	●
Electric windows	With one-touch auto down	●	●	●	●	●	●	●	●
Air conditioning:	Manual	●	–	–	–	–	–	–	–
	Climate control	–	●	●	●	●	●	●	●
Sun visors:	Driver's and passenger's with covered vanity mirrors and driver's ticket holder	●	●	●	●	●	●	●	●

Infotainment

Multimedia Commander:	Located between the driver and passenger, the Multimedia Commander allows easy control of the advanced connectivity and infotainment system, with information displayed on the 7" colour touch-screen, includes a separate volume control dial	–	●	●	●	●	●	●	●
Mazda Multimedia System:	AM / FM radio, single CD / MP3 audio system with 4 speakers	●	–	–	–	–	–	–	–
	AM / FM / DAB radio, single CD / MP3 audio system with 6 speakers (includes two driver's headrest speakers)	–	●	●	–	–	–	–	–
	AM / FM / DAB radio, single CD / MP3 and premium Bose® sound system with 9 speakers (includes two driver's and two passenger's headrest speakers)	–	–	–	●	●	●	●	●
	7" Colour touch-screen display	–	●	●	●	●	●	●	●
	USB / iPod connectivity ¹⁾	●	●	●	●	●	●	●	●
	Steering wheel-mounted audio controls	●	–	–	–	–	–	–	–
	Steering wheel-mounted audio and Bluetooth® controls ¹⁾	–	●	●	●	●	●	●	●
	Auxiliary (AUX) and USB input	●	–	–	–	–	–	–	–
Mazda Navigation System:	Auxiliary (AUX) and 2 USB inputs	–	●	●	●	●	●	●	●
	European mapping with alternative route calculations, point of interest search and 3-years free map updates	–	●	●	●	●	●	●	●
	Premium Connected Services including live traffic and weather information, fuel prices and local search ²⁾	–	○	○	○	○	○	○	○
Integrated Bluetooth® ¹⁾ :	Allows hands-free calling and easy access to phone contacts via touch-screen or commander as well as voice activation function	–	●	●	●	●	●	●	●
	Audio transfer from Bluetooth® devices ¹⁾	–	●	●	●	●	●	●	●
	Aha™ and Stitcher™ app integration for internet radio, Facebook and Twitter functionality ³⁾	–	●	●	●	●	●	●	●

● = Available; – = Not available; ○ = Option available at additional cost.

¹⁾ Please refer to www.mazdahandsfree.co.uk for the latest information regarding compatibility and functionality of mobile and audio devices.

²⁾ Connected Services are a subscription service. A 60-day free trial is included with your navigation system and commences the first time you connect the car to a Wi-fi hotspot. After the free trial has finished you must purchase a subscription to continue using Connected Services. Please speak to your dealer or visit mazda.co.uk/mzd-connect/navigation for more information.

³⁾ Requires a compatible mobile device. Aha/Stitcher apps need to be downloaded to mobile device and app registration completed before connection. Data usage and costs will vary, please contact your network provider for more information. Please speak to your dealer or visit mazda.co.uk/mzd-connect for more information.





MODEL SHOWN IS MAZDA MX-5 184PS SPORT NAV+ WITH OPTIONAL SOUL RED CRYSTAL METALLIC PAINT, AVAILABLE AT ADDITIONAL COST

OUR COMMITMENT TO YOU AND YOUR MAZDA

MY MAZDA APP

Designed exclusively for Mazda owners, it lets you access important vehicle information, as well as being able to locate your nearest Mazda dealer and track your vehicle service history.

SERVICE AND WARRANTIES

Just like the cars themselves, the services we offer are designed to provide you with a first-class ownership experience. Every new vehicle is covered by a 3-year warranty for up to 60,000 miles, including a 3-year paintwork warranty, and a 12-year perforation warranty. We also offer Extended Warranties to extend the cover for your Mazda. Mazda Roadside Assistance offers cover in the event you require breakdown assistance, your vehicle is stolen or is involved in an accident.

The maximum service interval for your Mazda is 12,500 miles or 12 months whichever occurs first, however, the servicing intervals may reduce based on the style of driving and the conditions under which your vehicle is operated.

FREE MAZDA ACCIDENT AFTERCARE

Mazda Accident Aftercare is designed to assist you following a road traffic accident. Call Mazda First after an accident and they will liaise directly with your insurer to process the claim and ensure that your vehicle is repaired at a Mazda approved bodyshop using only genuine Mazda parts, additional benefits include providing you with a free courtesy car and maintaining your Mazda warranties.

OUR COMMITMENT TO YOU AND YOUR MAZDA

Mazda makes cars that excite, look beautiful, are fun to drive and make you want to drive them again and again. We are passionate about delivering complete motoring confidence and a first-rate ownership experience.

FINANCE

As well as vehicle warranty and service plans, we offer finance packages to help ensure a rewarding ownership experience. Mazda Financial Services provides a variety of finance products to suit the needs of both private and business customers.

WHAT YOU CAN EXPECT FROM MAZDA FINANCIAL SERVICES:

- Assistance in renewing your car. We'll help you choose the right finance package to enable you to renew your Mazda as often as you would like
- Fixed Interest Rates. The interest rate on your loan is fixed for the duration of the agreement
- Flexible terms tailored to your motoring needs. As specialists in Mazda vehicles we aim to tailor a finance package to both your budget and your motoring / ownership needs

Please ask your sales executive for a tailor-made finance quote for your new car.

MAZDA FINANCIAL SERVICES FINANCE PLANS:

MAZDA CONDITIONAL SALE:

The traditional way of buying your car. Mazda Conditional Sale is a simple way of financing that provides you with certainty due to a fixed interest rate and fixed monthly repayments throughout the agreement. Your initial deposit and repayment period can be structured to help meet your budget and the length of time you expect to keep the car. You can trade in your existing vehicle and put this towards the initial deposit, or if you wish, just put down a cash deposit. At the end of your contract, when all repayments have been made, the car is yours.



OUR COMMITMENT TO YOU AND YOUR MAZDA

Mazda makes cars that excite, look beautiful, are fun to drive and make you want to drive them again and again. We are passionate about delivering complete motoring confidence and a first-rate ownership experience.

MAZDA PERSONAL CONTRACT PURCHASE:

The finance plan that helps you change your Mazda car at more regular intervals. Personal Contract Purchase is similar to a Conditional Sale agreement but with additional flexibility since part of the vehicle cost is deferred until the end of the agreement which may give you the benefit of lower monthly repayments.

The deferred amount is known as the Guaranteed Future Value or Optional Final Payment.

At the end of your contract, when all repayments have been made, you then have three options:

- **Renew:** Choose another Mazda. Use any excess value above the Optional Final Payment towards a deposit for another Mazda. You can trade in your car at any time or sell it privately having settled your account
- **Retain:** Keep the car. Simply pay the Optional Final Payment, and the car is yours
- **Return your car:** There's nothing more to pay if the car's in good condition and within the agreed mileage

For further information, please visit

<http://www.mazda.co.uk/buying-owning/buying/personal-finance/>

Finance subject to status. Terms and conditions apply. You will not own the vehicle until all payments are made. 18s and over. Guarantee may be required.

Mazda Financial Services RH1 1SR.

CUSTOMER EXPERIENCE

Start your journey with Mazda using the Configurator on the Mazda website.

It lets you customise a digital vehicle, letting you choose from a selection of engines, trims, exterior colours and accessories. Discover the benefits of becoming part of the community that defies convention with My Mazda - the online home for all Mazda owners. The service lets you view and update your personal information using the Mazda Digital Service Record (DSR), which provides security against counterfeit service documents and guarantees a secure, accurate and permanent service history for the life of the vehicle. You can also explore Facebook, Twitter and YouTube for even more Mazda related material. Whatever journey you take with Mazda, we'll make sure it's a unique and gratifying experience.

SKYACTIV TECHNOLOGY - HELPING YOU STAY EFFICIENT

Although we develop exciting cars that are fun to drive, we are equally committed to the environment and to the creation of a sustainable future for all. Our ongoing sustainability programmes are dedicated to the development of clean technologies. Our SKYACTIV Technology range includes engines, transmissions, chassis and body designs, which deliver fuel-efficient and economical driving. Our engines deliver the perfect combination of performance and improved driving economy by being lighter and more fuel-efficient than many of our competitors.

Looking for more information?

Learn more about our dedication to delivering a unique customer experience online at:



www.mazda.co.uk



facebook.com/mazdauk



twitter.com/mazda_uk



youtube.com/mazdauk

Mazda Motors UK reserves the right to introduce changes in specification and equipment due to its ongoing product development. Colour and trim samples shown in this brochure may vary from the actual colours because of the limitations of the printing process. Models shown may not be to UK specification. It is recommended that you consult your Mazda dealer when referring to these.

Facebook, Twitter, iPod®, Stitcher™, aha™ and Bose® are registered trademarks in the U.S. and other countries. Used with permission.

The Bluetooth® word mark and logos are owned by the Bluetooth SIG, Inc. and any use of such marks by Mazda Motor Company is under licence. Other trademarks and trade names are those of their respective owners.

September 2018
Part Number: 810079290

Internet: www.mazda.co.uk
Mazda Helpline: 03457 48 48 48
UK-EN / C4A

