

Audi
Vorsprung durch Technik



The Audi A5 and S5 Cabriolet

Pricing and Specification Guide

Valid from May 2016

Personalising your Audi A5 Cabriolet

This guide has been designed to help you tailor and price your Audi A5 Cabriolet quickly and logically. At the back, you will find information on CO2 emissions-based taxation and services offered with your Audi, including Finance and Insurance. You can also configure your Audi A5 Cabriolet online at www.audi.co.uk

The images featured in this guide are for illustrative purposes only. They may feature left-hand drive vehicles and include equipment that is not UK specification.

The Audi A5 Cabriolet

Engines	12
Transmissions	13
Efficiency	14
quattro	16

Model details and prices

S line model equipment	18
S line Special Edition Plus model equipment	20
S5 quattro Cabriolet model equipment	22
Model prices	24

Colour and upholstery

Paint and hoods	26
Upholstery and seats	30
Colour and trim guide	36

Inlays	40
---------------	----

Options

Wheels, tyres and suspension	44
Packages	48
Audio and communication	50
Interior equipment	52
Exterior equipment	53
Safety and security	54
Steering wheels	55

Looking after your Audi

Audi Complete and Warranty	56
Accessories	59
Merchandise	60
Audi Difference	61

Technical details

Technical data	62
Dimensions	67
Pricing and Additional information	69





Vorsprung durch Technik

Three words that express the very essence of Audi – Vorsprung durch Technik. It's not just a slogan, it's our way of seeing the world and the driving force behind our history of innovation that continues into the 21st century. Indeed, many technologies that have become synonymous with Audi remain in our cars today. Some are milestones in the history of the motorcar. From our beginnings in 1899, to the Auto Union team's Grand Prix successes in the 1930s and our more recent wins at Le Mans, we have always been at the forefront of the motor industry.

Vorsprung durch Technik makes us who we are. To see more of its influence, just read on.





The Audi A5 Cabriolet: with technology that makes it ideal for all conditions

Great design tends to get noticed. The shape of the Audi A5 Cabriolet, for example, has probably already caught your attention. But there's another kind of beautiful design in this car that's just as significant: the technology. We've included a fully-automatic hood as standard and there is also heat-resistant upholstery available to keep you cool when it's hot. So now you really can make the most of the sun.









The A5 Cabriolet interior story

We've introduced a number of finishing touches to the Audi A5 Cabriolet interior to make your driving experience both comfortable and unique. You'll find an impressive attention to detail in everything from the Driver's Information System, with rest recommendations, to our optional customised leather and stitching, which means that every journey you make will be a personal one.

Engines

Petrol

TFSI direct-injection technology includes supercharging, which combines FSI technology with forced induction – giving cars an extra injection of power and torque. It also delivers enhanced fuel efficiency as precisely the right amount of fuel and air are injected into the combustion chambers, enabling the engine to ‘breathe’ more easily. It results in reduced heat loss and increased output.

Diesel

We introduced TDI to the roads in 1989, and since then, we’ve continuously refined it, including developing common-rail technology. With this system, a series of piezo injectors uses electrical charge to precisely control the amount of fuel injected into the engine. As well as reducing noise, this allows combustion to happen at a lower temperature, with less oxygen.





Transmissions

multitronic

Translating a driver's preferences and intentions into road performance, the multitronic transmission system entertains no compromises – whether in terms of dynamism, convenience or economy. multitronic automatic transmission is available on models without quattro permanent all-wheel-drive. A continuously variable transmission, multitronic can transmit up to 400 Nm of torque and permits an exceptionally wide range of gear ratios. The result is smooth, powerful acceleration and a high level of driving comfort.

S tronic

Driving is all about thinking ahead, which is just what the S tronic dual-clutch transmission does. It works almost as two separate systems, one engaging the odd-numbered and the other the even-numbered gears. So when you're accelerating in second, it has third gear waiting for you. And once you make the switch, it's already thinking about fourth. With two clutches working together, you can change gears almost instantly while experiencing smooth, virtually uninterrupted power.

Efficiency

We've incorporated a number of technologies into the Audi A5 Cabriolet aimed to enhance your drive and improve efficiency.

Automatic Start-Stop function

In heavy traffic, your car still uses fuel and releases CO₂, even when it's stationary. The automatic Start-Stop function counteracts this problem by switching off the engine when your car comes to a standstill. As soon as you touch the clutch, the car restarts.

TDI and TFSI

Inside the engine of the Audi A5 Cabriolet you'll find the same advanced fuel-injection technology that's driven us to win after win at Le Mans. With TDI and TFSI, fuel is injected directly into the engine's chambers so that combustion is timed right down to the millisecond. As a result, waste is minimised and you get the most from every last drop of fuel.





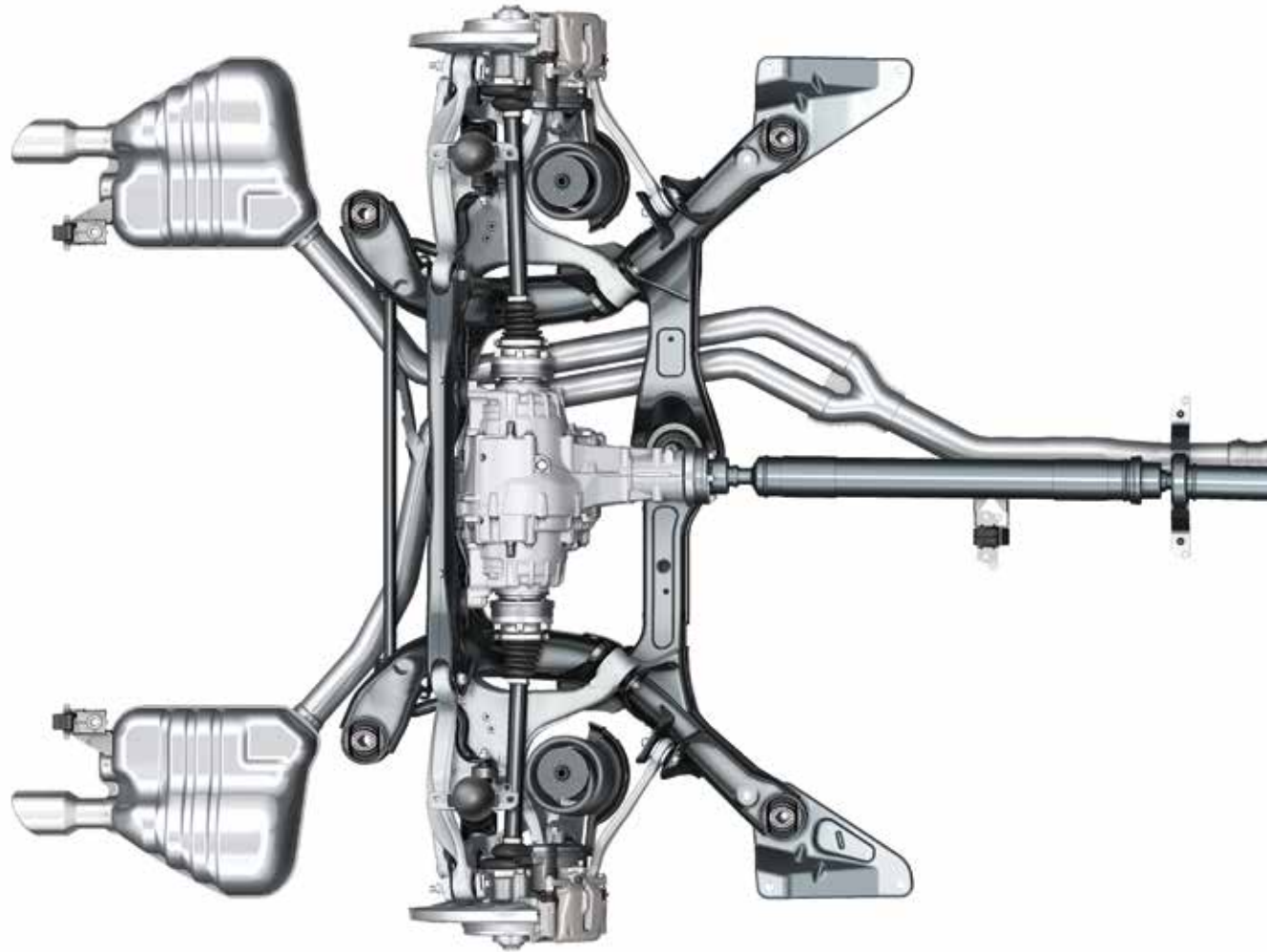
Recuperation

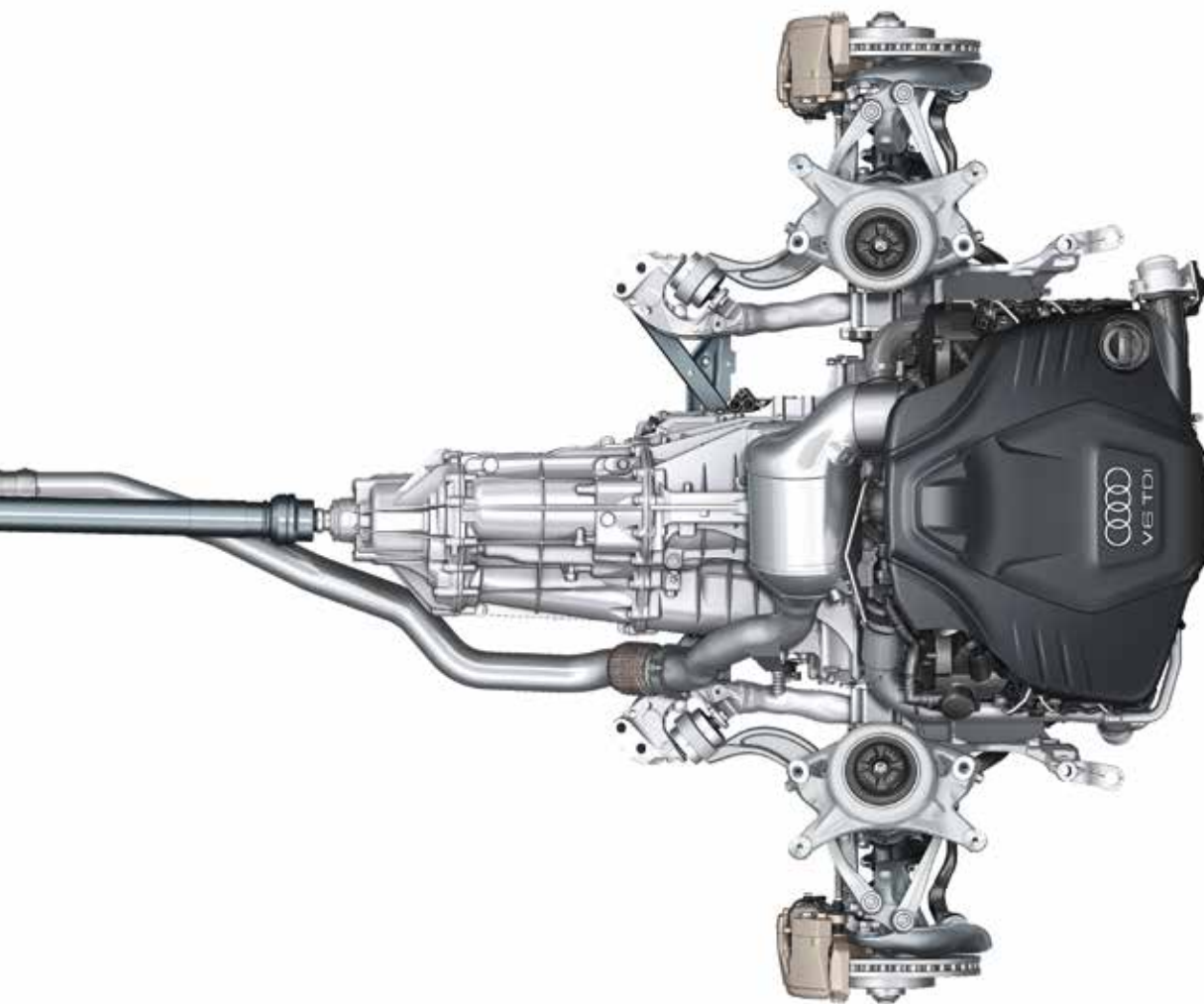
When a vehicle brakes, the discs convert the kinetic energy into thermal energy, which is wasted as it cannot be used. With a recuperation system like the one in the Audi A5 Cabriolet, the kinetic energy is converted into useful electrical energy. The way it works is simple. While the car is coasting or braking, the alternator voltage is raised above the level of the basic electrical system, which enables the alternator to generate electrical energy and store it temporarily in the battery. When the vehicle accelerates, this energy is used to relieve the load on the alternator, resulting in a fuel saving of up to 3%.

quattro

It's the technology that has been synonymous with Audi ever since it was first introduced over 30 years ago – a technology that helps deliver greater traction on all surfaces. It's called quattro permanent all-wheel-drive.

The principle is simple: in the same way that four brakes ensure better deceleration, four permanently-driven wheels aid acceleration and road-holding by distributing power to each individual wheel as necessary. The result is a dynamic driving experience in all conditions.





In the Audi A5 Cabriolet's quattro models, asymmetric dynamic torque distribution continuously distributes drive power between the front and rear axles, depending on weather conditions, road surface and gradient. This leads to greater flexibility and an enhanced, sportier drive.

quattro with Sport differential

The optional electronically regulated Sport differential takes the driving dynamics of quattro to a whole new level, improving stability and agility. By distributing torque variably to each of the rear wheels, the car steers even more spontaneously and directly. When cornering, for example, power is redirected to the outside rear wheel, literally pushing the car through the bend. It requires less steering effort – for a more agile, enhanced drive.

S line model equipment

All Audi A5 Cabriolet models have the following items of standard equipment

Engines

Automatic Start-Stop function

Recuperation for optimal energy utilisation

Misfuelling inhibition for diesel engines

Diesel particulate filter (DPF) for diesel engines

Wheels, tyres and suspension

18" x 8.5J '5-double-spoke' design alloy wheels with 245/40/R18 tyres

Sport suspension with stiffer spring settings and shock absorbers, 20mm lower than standard suspension (S line Sport suspension available at no additional charge)

Locking wheel bolts

Space-saver spare wheel

Audio and communication

MMI Navigation system plus. Hard disk navigation with topographical map display, places-of-interest and town models in 3D, with high-resolution 7" colour TFT display. The system offers three alternative routes, with the ability to scroll along the selected route and manoeuvre within the map. Uses 7-digit postcode recognition. Includes split-screen mode for route information, dynamic route guidance (TMC), intersection zoom function, motorway exits and lane recommendations in Driver's Information System (DIS).

Includes two SD card readers, single CD/DVD player, 40GB hard drive and Jukebox (20GB) for storing and managing music files in WMA and MP3 format. Includes European navigation data (where digitised).

Additional functionality is available when combined with optional Mobile telephone preparation – High with Audi Connect (9ZW). For more details please see option 9ZW, featured in the options section of the guide

Audi sound system speaker package with 10 speakers including subwoofer (180 watts)

Audi Concert radio which includes:

- Single CD drive and SDHC memory card reader which are both MP3, WMA and AAC compatible
- 6.5" colour centre display with MMI operating logic
- AUX-IN connection
- TP memo – automatically saves traffic news when driving

DAB digital radio reception – integrated into MMI, receives digitally transmitted radio stations in addition to the range of analogue stations.

Displays music track, artist and radio programme. Capable of 'DAB slideshow' where transmitted.

Reception dependent on local digital network. Automatic switch from DAB to FM reception if the network signal is not strong enough.

Bluetooth interface – for hands-free mobile phone connectivity (depending on compatibility of mobile phone and software version, please visit www.audi.co.uk/phonecompatibility)

Exterior equipment

Fully automatic acoustic hood (can be operated at speeds up to 31mph) with LED passenger reading lights

Xenon Plus headlights with LED daytime-running lights

Rear LED lights

S line exterior styling package includes:

- S line side skirts
- S line bumper
- S line rear diffuser
- S line badges on wings

Exterior mirrors – electrically operated and heated

Chrome rolled exhaust pipes – diesel engines have two exhaust pipes on the left-hand side. Petrol engines have one exhaust pipe on either side

Exterior aluminium package

Single frame front grille



18" x 8.5J '5-double-spoke' design alloy wheel



3-spoke S line multi-function steering wheel



Satellite Navigation system – HDD-based



Xenon Plus headlights with LED daytime-running lights

Seats

Front Sport seats with electric lumbar support

Fine Nappa leather with S line embossing

Split-folding rear seat

Heated front seats – with 3-stage heating control

Interior equipment

3-spoke S line multi-function leather steering wheel (paddle-shift for automatic models)

Deluxe 3-zone climate control with separate air distribution and digital display for driver and front passenger. System includes air-conditioning controls in the rear centre console for rear passenger compartment

Perforated leather gear knob

Driver's Information System (DIS) shows the radio station or track title, telephone control, menu and other display information from the infotainment system such as navigation (if fitted). Also includes an on-board trip computer with short and long-term trip memory, outside temperature display, digital speedometer and door or boot-open warning

Auto-dimming rear view mirror

Cruise control

S line sill plates

Front centre armrest including 12V power socket

Wind deflector

Electric front and rear windows

Electromechanical parking brake includes parking brake function when stationary, drive-off assistance function through automatic release when driving away and emergency braking function whilst driving, acting on all four wheels

Front and rear floor mats

Interior chrome package

Matt-brushed aluminium inlays

Steering column adjustment. For rake and reach

Electromechanical power steering

Cup holder in centre console

Safety and security

Light and rain sensor – automatically switches the dipped-beam headlights and windscreen wipers on/off depending on the light and rain conditions. Also includes coming home/leaving home function which delays the deactivation of the front and rear lights after locking and automatic activation of the lights when unlocking

Audi parking system plus – aids parking by acoustically and graphically indicating distances to obstacles in front of and behind your A5 Cabriolet

Electronic Stability Control (ESC) includes electronic limited-slip differential on front-wheel-drive models

Rest recommendation system – analyses driving behaviour based on steering, pedals and gear lever movements. If the system detects a change in driving patterns it can, via audio and visual effects, notify the driver of the possible need to take a rest

First aid kit

Front and rear fog lights

Front and rear ISOFIX preparation with front passenger airbag de-activation switch

Full-size airbags for driver and passenger

Front side airbags

Thatcham Category 1 alarm and immobiliser

Toolkit and car jack

Warning triangle

Tyre pressure loss indicator. Visual and acoustic warning if the pressure drops in one or more tyres



Image shows the A5 Cabriolet S line model with optional Scuba blue, metallic paint (S9)

S line Special Edition Plus model equipment

In addition to S line model equipment

Wheels, tyres and suspension
19" x 9J '10-Y-spoke' design gloss black alloy wheels with 255/35 R19 tyres

Audio and communication
Audi Music Interface. Universal connection for use with stereo audio sources and Apple iPod generation 4 onwards. Provides storage and charging

Bang & Olufsen sound system. Designed specifically for the Audi A5 Cabriolet, providing 5.1 surround sound reproduction with dynamic compensation for road noise, 10-channel amplifier and 12 high-performance loudspeakers (total output 505 watts)

Safety and security
Audi Parking System Advanced. Aids parking by acoustically and visually indicating distances to obstacles in front of and behind your A5 with guiding lines. Measured by ultrasonic sensors and camera integrated discreetly in the boot handle

Interior equipment
Heated front and outer rear seats with 3-stage heating control
Stainless steel pedals (only available on automatic models)

Exterior equipment
Enhanced rear spoiler on the luggage compartment lid
Dynamic front bumper with large air inlets and blade in high-gloss black
Side sill trims and diffuser frame in high-gloss black
Gloss black exterior mirror housings*



19" x 9J '10-Y-spoke' design gloss black alloy wheels



Audi Music Interface



Bang & Olufsen sound system



Image shows the A5 Cabriolet S line Special Edition Plus model with optional Daytona grey, pearl effect paint (6Y)



All Audi S5 quattro Cabriolet models have the following items of standard equipment

The Audi S5 Cabriolet features a powerful 3-litre V6 engine as standard, which uses supercharging to take you from 0 to 62 mph in just 5.4 seconds. From the comfort and stability of an S5-embossed Fine Nappa leather Super Sport seat, you can sit back and enjoy every unit of this engine's 333PS capability.

Engine

Automatic Start-Stop function
Recuperation for optimal energy utilisation

Wheels, tyres and suspension

19" x 8.5J '5-parallel-spoke' design alloy wheels with 255/35 R19 tyres
'S' Sport suspension
Locking wheels bolts
Space-saver spare wheel

Interior equipment

3-spoke 'S' Sport multi-function leather steering wheel with contrasting stitching
Aluminium scuff plates with S5 logo
Interior light package
Inlays in matt-brushed aluminium
'S' instrument dials
Colour Driver's Information System (DIS)
– shows the radio station or track title, telephone control, menu and other display information from the infotainment system, such as navigation (if fitted). Also includes an on-board trip computer with short and long-term trip memory, outside temperature display, digital speedometer and door or boot open warning

Deluxe 3-zone climate control – with separate air distribution and digital display for driver and front passenger. System includes air-conditioning controls in the rear centre console for rear passenger compartment

Front centre armrest – including two 12V power sockets

Auto-dimming rear view mirror

Cruise control

Electric front and rear windows

Electromechanical parking brake

Front and rear floor mats

Interior chrome package

Steering column adjustment for rake and reach

Electromechanical power steering

Cup holder in centre console

Audio and communication

Audi Concert radio – which includes:

- Single CD drive and SDHC memory card reader which are both MP3, WMA and AAC compatible
- 6.5" colour centre display with MMI operating logic
- AUX-IN connection
- TP memo – automatically saves traffic news when driving

Audi sound system speaker package with 10 speakers including subwoofer (180 watts)

Bluetooth interface – for hands-free mobile phone connectivity (depending on compatibility and software version of mobile phone, please visit www.audi.co.uk/phonecompatibility)

DAB digital radio reception



19" x 8.5J '5-parallel-spoke' design alloy wheels



'S' instrument dials



S5 Super Sport seats with electric adjustment and lumbar support



'S' radiator grille with S5 logo

Safety and security

'S' model enhanced braking system

Audi parking system plus – aids parking by acoustically and graphically indicating distances to obstacles in front of and behind your A5 Cabriolet

Electronic Stability Control (ESC) – including electronic limited-slip differential on front-wheel-drive models

First aid kit

Front and rear fog lights

ISOFIX child seat mounting – for front passenger (with airbag deactivation) and outer rear seats. Including Top Tether attachment point for the outer rear seats

Full-size airbags for driver and front passenger

Front side airbags

Light and rain sensor – automatically switches the dipped beam headlights and windscreen wipers on/off depending on the light and rain conditions. Also includes coming home/leaving home function which delays the deactivation of the front and rear lights after locking and automatic activation of the lights

Rest recommendation system – analyses driving behaviour based on steering, pedals and gear lever movements. If the system detects a change in driving patterns it can, via audio and visual effects, notify the driver of the possible need to take a rest

Thatcham Category 1 alarm and immobiliser

Toolkit and car jack

Warning triangle

Tyre pressure loss indicator. Visual and acoustic warning if the pressure drops in one or more tyres

Exterior equipment

Acoustic hood with LED passenger reading lights

Aluminium-effect door mirror housings

Exhaust pipes. Twin on left and right-hand side in chrome rolled finish

'S' radiator grille with S5 logo

Painted brake calipers with S5 logo

'S' body styling

Xenon Plus headlights with LED daytime-running lights and LED rear lights

Exterior mirrors – electrically operated and heated

Exterior aluminium package

Seats

S5 Super Sport seats with electric adjustment and lumbar support

Fine Nappa leather upholstery



A5 Cabriolet S line

Engines	Power	Transmissions	CO ₂ g/km**	Total RRP inc VAT [^]	Recommended OTR ⁺
1.8 TFSI	177PS	6-speed manual	144	£34,860.00	£35,690.00
1.8 TFSI	177PS	multitronic	146	£36,340.00	£37,170.00
2.0 TFSI	230PS	6-speed manual	152	£37,995.00	£38,865.00
2.0 TFSI	230PS	multitronic	153	£39,475.00	£40,345.00
2.0 TFSI quattro	230PS	7-speed S tronic	167	£41,000.00	£41,985.00
2.0 TDI	150PS	6-speed manual	129	£36,830.00	£37,515.00
2.0 TDI	190PS	6-speed manual	133	£37,260.00	£38,075.00
2.0 TDI	190PS	multitronic	134	£38,740.00	£39,555.00
3.0 TDI quattro	245PS	7-speed S tronic	167	£44,240.00	£45,225.00

*With cylinder-on-demand technology.

****Please note:** CO₂ emissions can change if a different size alloy is ordered onto the vehicle. This may also lead to a change to the VED amount payable. Please refer to pages 46, 47, 63, 65, 66 and 70 for more details for more information. Values are from standard EU tests to be used for comparative purposes and may not reflect real driving results.

The maximum power output figures are quoted in PS (or Pferdestärke, which is the metric equivalent of brake horsepower). To convert to brake horsepower, divide the PS figure by 1.0139.

[^]Total RRP inc VAT – Recommended Retail Price including VAT which is calculated at 20%. This may alter to reflect any change in the applicable VAT rate.

⁺**Recommended On-The-Road (OTR) retail prices include:** delivery charge, half a tank of fuel, number plates at £630.00 (inc. VAT), Road Fund Licence (which may vary depending on model/transmission – see page 70 for details) and first registration fee at £55.00. Vehicle Excise Duty correct at time of going to print, but this may alter to reflect any change in the applicable VED rate.

A5 Cabriolet S line Special Edition Plus

Engines	Power	Transmissions	CO ₂ g/km**	Total RRP inc VAT [^]	Recommended OTR ⁺
1.8 TFSI	177PS	6-speed manual	154	£36,210.00	£37,080.00
1.8 TFSI	177PS	multitronic	154	£37,690.00	£38,560.00
2.0 TFSI	230PS	6-speed manual	157	£39,345.00	£40,215.00
2.0 TFSI	230PS	multitronic	156	£40,825.00	£41,695.00
2.0 TFSI quattro	230PS	7-speed S tronic	175	£42,350.00	£43,335.00
2.0 TDI	150PS	6-speed manual	132	£38,180.00	£38,995.00
2.0 TDI	190PS	6-speed manual	138	£38,610.00	£39,425.00
2.0 TDI	190PS	multitronic	139	£40,090.00	£40,905.00
3.0 TDI quattro	245PS	7-speed S tronic	173	£45,590.00	£46,575.00

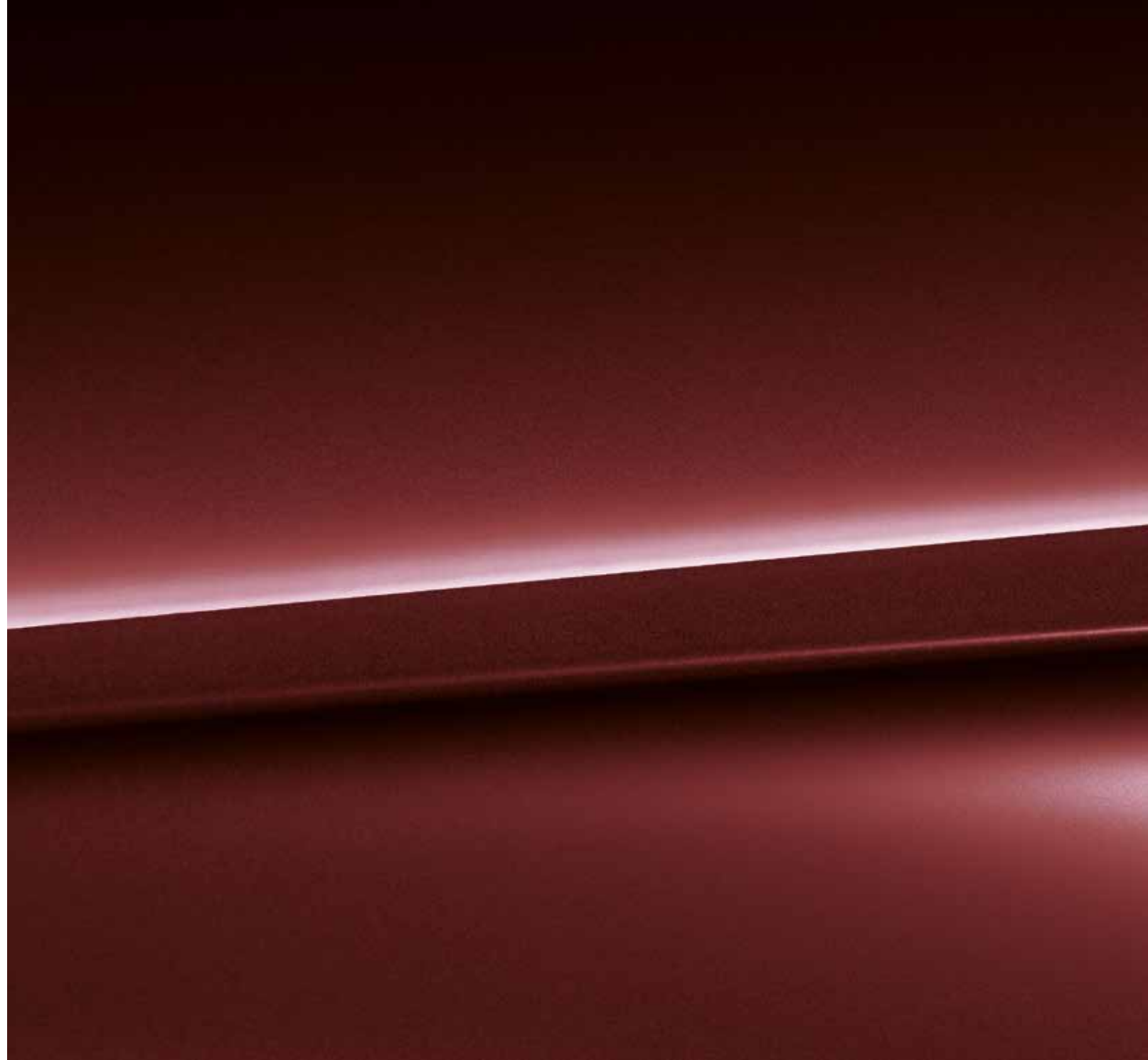
S5 Cabriolet

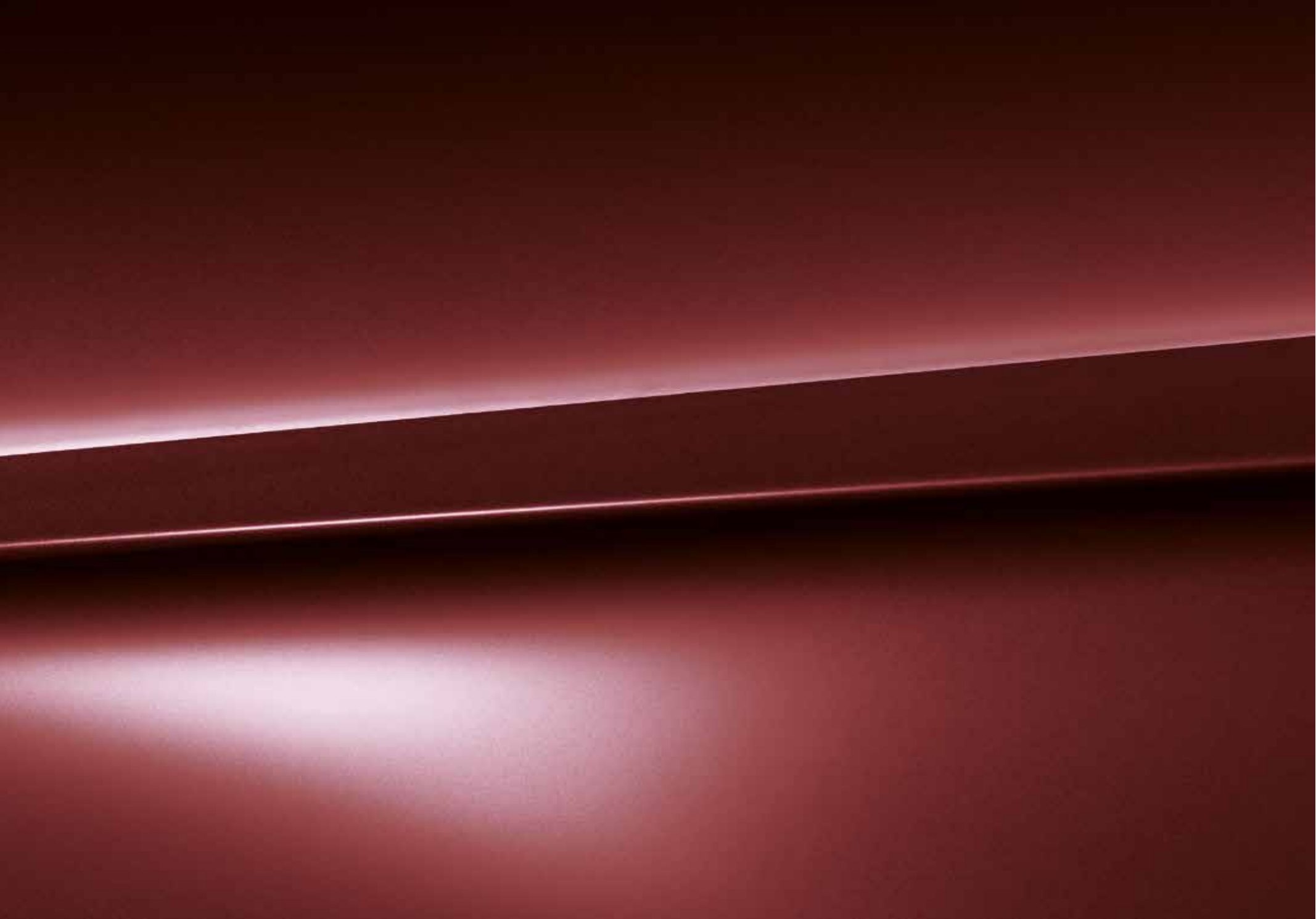
Engines	Power	Transmissions	CO ₂ g/km**	Total RRP inc VAT [^]	Recommended OTR ⁺
S5 Cabriolet	333PS	7-speed S tronic	189	£45,860.00	£47,045.00



Paint

We believe that every part of your car should have a personal touch. Which is why you can choose from a wide range of paint colours, from solid shades to metallic and pearl-effect finishes.





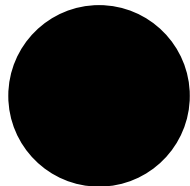
Paint and hoods

You can select one of the standard colours shown opposite or, for a different look, choose from a range of optional finishes.

Standard colours

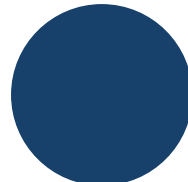


Ibis white – T9

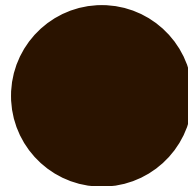


Brilliant black – A2^

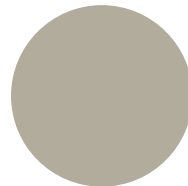
Optional colours



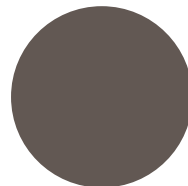
Scuba blue, metallic – S9**



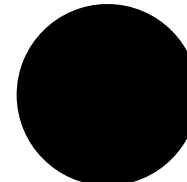
Teak brown, metallic – 4U**



Cuvée silver, metallic – 0D**



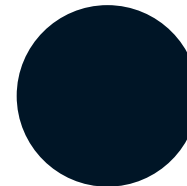
Dakota grey, metallic – Y7**



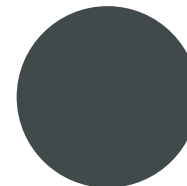
Lava grey, pearl effect – 1R**



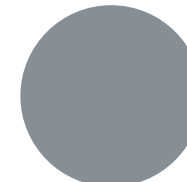
Glacier white, metallic – 2Y^



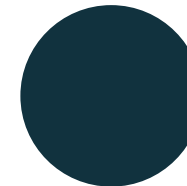
Moonlight blue, metallic – W1^



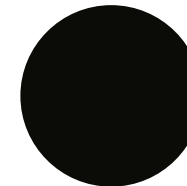
Monsoon grey, metallic – 0C^



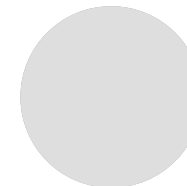
Tornado grey, metallic – Q2^



Utopia blue, metallic – D2^

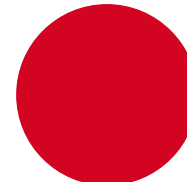


Mythos black, metallic – 0E

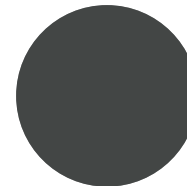


Floret silver, metallic – L5

S line colours



Misano red, pearl effect – N9



Daytona grey, pearl effect – 6Y

Options are subject to availability and may extend time taken for delivery.

All the colour swatches on this page are matched as accurately as possible to the actual paint colours used. However, due to print processes, Audi UK cannot guarantee that colours shown are 100% accurate.

Visit your local Audi Centre for a more accurate colour swatch.

*Not available on S5 quattro.

^Not available on S line Special Edition Plus models.

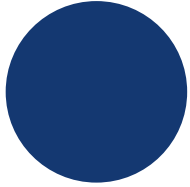
**Total RRP inc VAT – Recommended Retail Price including VAT which is calculated at 20%. This may alter to reflect any change in the applicable VAT rate.

Optional colours

Total RRP inc VAT*

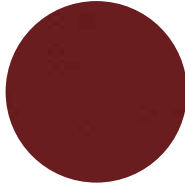
£645.00

S line Special Edition Plus and S5 colour



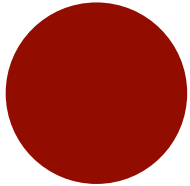
Sepang blue, pearl effect - E9

Hood colours



Red - SF

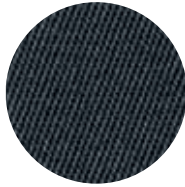
S5 colour



Volcano red, metallic - 1G



Black - PA



Dark grey - SW



Brown - PW

Paint

Audi exclusive

Everyone has a favourite colour. No matter what yours is, Audi exclusive provides a range of unique colours that have been designed to set your car apart. Choose from the swatches here, or specify any other paint colour in the Audi range.*

Customised

If you have a particular colour in mind, we'll mix the exact metallic or pearl-effect shade you want.**

Options are subject to availability and may extend time taken for delivery.

*Audi exclusive paint is subject to factory approval. Visit your local Audi Centre for colour samples.

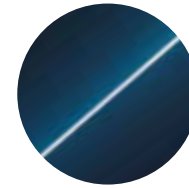
**Customised paint is subject to factory approval, and is available for metallic and pearl-effect water-based paints only. Three-colour process colours and two-tone schemes are not available.

All the colour swatches on this page are matched as accurately as possible to the actual paint colours used. However, due to print processes, Audi UK cannot guarantee that colours shown are 100% accurate.

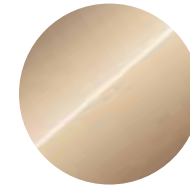
Visit your local Audi Centre for a more accurate colour swatch.

RRP - Recommended Retail Price.

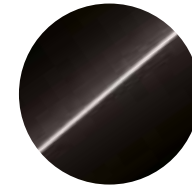
*Total RRP inc VAT - Recommended Retail Price including VAT which is calculated at 20%. This may alter to reflect any change in the applicable VAT rate.



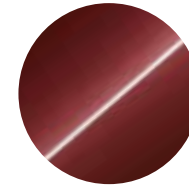
Palace blue, pearl effect



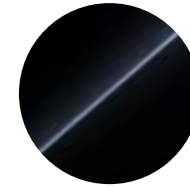
Sand beige, pearl effect



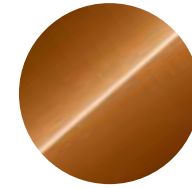
Saddle brown, pearl effect



Classic red, pearl effect



Mamba black, metallic



Ipanema brown, metallic



Any colour in the Audi range or 100 exclusive colours to choose from*

Audi exclusive*

Total RRP inc VAT[†]
£2,115.00



Customised paint**

Customised**

Total RRP inc VAT[†]
£2,615.00

Upholstery

It's important to feel comfortable on the road. Just choose from our range of luxury upholstery materials and textures, including additional support and colour options, for complete relaxation while you drive.





Upholstery and seats

S line Sport seats

Choose your favourite upholstery from the swatches shown opposite to give your car's interior the look and feel you want.

Front Sport seats come with S line embossing and prominent side bolsters for lateral support when cornering. Also features electric 4-way lumbar support and manual seat-cushion angle adjustment with extendable thigh support.

Options are subject to availability and may extend time taken for delivery.

- = Not available
- = Available
- S = Standard

All the colour swatches on this page are matched as accurately as possible to the actual upholstery colours used. However, due to print processes, Audi UK cannot guarantee that colours shown are 100% accurate.

All leather upholstery choices include seats, head restraints and front centre armrest in leather. Leather/Alcantara choices include head restraints, seat side bolsters and front centre armrest in leather with the seat centres and door inserts in Alcantara.

*Total RRP inc VAT – Recommended Retail Price including VAT which is calculated at 20%. This may alter to reflect any change in the applicable VAT rate.

Leather/Alcantara



Black with Grey stitching – QZ

Fine Nappa leather



Black – QE

S line	S line Special Edition Plus	S5 quattro	Total RRP inc VAT*
•	•	-	£0.00
S	S	-	£0.00

Upholstery and seats

S line Sport seat options

Order Code		S line	S line Special Edition Plus	S5 quattro	Total RRP inc VAT*
4A4	Heated front and outer rear seats with 3-stage heating control	●	S	—	£200.00
PV1	Electric front seats, with adjustment for height, forwards and backwards position, backrest angle and lumbar support for driver and front passenger seats	●	●	—	£455.00
PV3 6XL	Convenience package. Comprises electric front seats with memory function on driver's side and lumbar support. Also includes folding and auto-dimming door mirrors with memory function and automatic kerb view function, which tilts the passenger mirror downwards towards the kerb when reverse gear is engaged	●	●	—	£1,150.00

Options are subject to availability and may extend time taken for delivery.

- = Not available
- = Available
- S = Standard

*Total RRP inc VAT – Recommended Retail Price including VAT which is calculated at 20%. This may alter to reflect any change in the applicable VAT rate.



S line Sport seats

Upholstery and seats

S5 Cabriolet Super Sport seats

Choose your favourite upholstery from the swatches shown opposite to give your car's interior the look and feel you want.

S5 Super Sport seats come with integral head restraints, electrical adjustment of seat height, forwards and backwards position, backrest and seat angle. Also includes electric 4-way lumbar support, extendable thigh supports and rear bench with integral centre storage tray.

Options are subject to availability and may extend time taken for delivery.

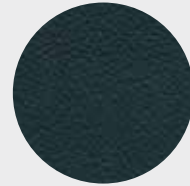
- = Not available
- = Available
- S = Standard

All the colour swatches on this page are matched as accurately as possible to the actual upholstery colours used. However, due to print processes, Audi UK cannot guarantee that colours shown are 100% accurate.

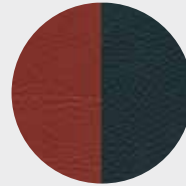
All leather upholstery choices include seats, head restraints and front centre armrest in leather. Leather/Alcantara choices include head restraints, seat side bolsters and front centre armrest in leather with the seat centres and door inserts in Alcantara.

*Total RRP inc VAT – Recommended Retail Price including VAT which is calculated at 20%. This may alter to reflect any change in the applicable VAT rate.

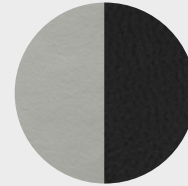
Fine Nappa leather



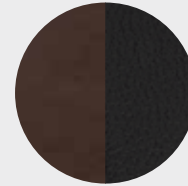
Black/Black – ZM/SC



Magma red/Black – FA/SJ



Lunar silver/Black – FI/SU



Chestnut brown/Black – FO/SV

S line	S line Special Edition Plus	S5 quattro	Total RRP inc VAT*
-	-	S	£0.00

Upholstery and seats

S5 Cabriolet Super Sport seat options

Order Code		S line	S line Special Edition Plus	S5 quattro	Total RRP inc VAT*
4A4	Heated front and outer rear seats with 3-stage heating control	-	-	●	£200.00
PV3 6XL	Convenience package. Comprises electric front seats with memory function on driver's side and lumbar support. Also includes folding and auto-dimming door mirrors with memory function and automatic kerb view function, which tilts the passenger mirror downwards towards the kerb when reverse gear is engaged	-	-	●	£615.00



S5 Super Sport seat

Options are subject to availability and may extend time taken for delivery.

- = Not available
- = Available
- S = Standard

*Total RRP inc VAT – Recommended Retail Price including VAT which is calculated at 20%. This may alter to reflect any change in the applicable VAT rate.

Colour and trim guide

Interior trim colours

To help you choose the right interior for your Audi A5 Cabriolet, please use this guide, showing the carpet, dashboard and headlining colours that have been matched to your chosen upholstery. For pricing information please refer to pages 32-35.

S line Sport seats

Order Code	Upholstery	Carpet	Dashboard (upper/lower)	Headlining	Leather/Alcantara (N7K)	Fine Nappa leather (N2R)*
QE (Black stitching)	Black	Black	Black/Black	Black	—	●
QZ (Grey stitching)	Black	Black	Black/Black	Black	●	—

S5 Cabriolet Super Sport seats

Order Code	Upholstery	Carpet	Dashboard (upper/lower)	Headlining	Fine Nappa leather (N3M)*
FI or SU	Lunar silver/Black	Black	Black/Black	Silver or Black	●
FO or SV	Chestnut brown/Black	Black	Black/Black	Silver or Black	●
SJ or FA	Magma red/Black	Black	Black/Black	Silver or Black	●
SC or ZM	Black/Black	Black	Black/Black	Silver or Black	●

Options are subject to availability and may extend time taken for delivery.

— = Not available
 ● = Available
 S = Standard

*Includes leather door armrests (7HB).



Upholstery

Audi exclusive

With Audi exclusive, you can specify your seats in Fine Nappa leather or Fine Nappa leather/Alcantara, from an array of different colours shown to the right.

Select just an all-over shade for each seat or customise each panel in two or more complementary colours from the distinctive Audi exclusive palette. You can even choose the colour of the decorative stitching – to match or contrast with your chosen upholstery – from this varied collection. Whatever combination you decide upon, we think you'll be satisfied with the result.

Options are subject to availability and may extend time taken for delivery.

- = Not available
• = Available
S = Standard

*Leather and stitching (where applicable) can be specified in a variety of colours from the Audi exclusive range.

All the colour swatches on this page are matched as accurately as possible to the actual upholstery colours used. However, due to print processes, Audi UK cannot guarantee that colours shown are 100% accurate.

*Total RRP inc VAT – Recommended Retail Price including VAT which is calculated at 20%. This may alter to reflect any change in the applicable VAT rate.

Order Code		S line	S line Special Edition Plus	S5 quattro	Total RRP inc VAT*
PYD S3G	Audi exclusive leather package 2 in Fine Nappa leather. Includes leather-covered seat upholstery, door trim inserts, front centre armrest, backrest covers and door armrests and handles. Seat side trims and add-on parts are colour-coordinated. Not available in combination with Climate comfort seats. Only available in combination with electric seats (PV1 or PV3)	•	•	•	£3,950.00
PYF S3G	Audi exclusive leather package 2 in Fine Nappa leather/Alcantara. Includes leather-covered seat side trims and backrest covers, front centre armrest, door armrests and Alcantara seat centre sections and door trim inserts. Seat side trims and add-on parts are colour-coordinated*	•	•	–	£3,950.00



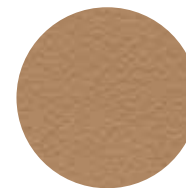
Chestnut brown



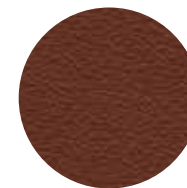
Jet grey



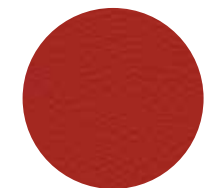
Alabaster white



Sand beige



Saddle brown



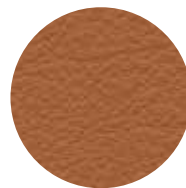
Crimson red



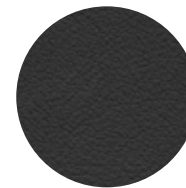
Magnolia white



Havanna brown



Cognac brown



Night blue



Cloudy grey



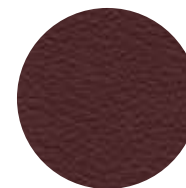
Smoky blue



Iceland green



Powder beige



Classic red



Calendula yellow

Also available:

Alcantara colours: available in all the Audi exclusive colours shown, except for Crimson red, Jet grey and Sand beige. Alcantara equivalents are Chilli red, Amethyst grey, and Sesame beige respectively.

Please consult your Audi Centre for examples of Alcantara and carpet colours.

Upholstery

Audi exclusive line

Audi exclusive is ultimately about choice – but if you'd rather leave some of the decisions in the capable hands of our designers, the expert team at quattro GmbH have compiled the Audi exclusive line, combining some of the most popular elements of the exclusive range in one, beautifully coordinated package.

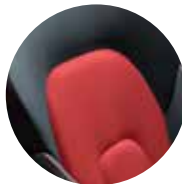
Options are subject to availability and may extend time taken for delivery.

– = Not available
 ● = Available
 S = Standard

*Please note: Audi exclusive line removes all S line interior badging and S line embossing on the seats.

*Total RRP inc VAT – Recommended Retail Price including VAT which is calculated at 20%. This may alter to reflect any change in the applicable VAT rate.

Order Code		S line	S line Special Edition Plus	S5 quattro	Total RRP inc VAT*
PQL	Audi exclusive line*	●	●	–	£850.00



Crimson red – QY



Alabaster white – UA



Cognac brown – QX

This package includes:

- ▶ Sport seats in two-tone Fine Nappa leather – black seat-side sections with coloured stitching and coloured seat-centre section in Crimson red, Alabaster white or Cognac brown*
- ▶ Door-trim inserts colour matched to seat centre section, and armrests in doors in black leather with coloured stitching to match seat centre section
- ▶ Black dashboard and carpets
- ▶ Black cloth headlining
- ▶ Matt-brushed aluminium inlays
- ▶ Floor mats in black with coloured piping (to match seat-centre section)
- ▶ 3-spoke leather steering wheel (S tronic with shift paddles)
- ▶ Steering wheel rim and gear lever gaiter with coloured stitching in matching colour to seat-centre section
- ▶ Head restraints with coloured stitching in matching colour to seat-centre section

Inlays

Attention to detail can make a big impact. From contemporary black Piano finish to a brown walnut, our selection of inlays offers the perfect finishing touch to your car's interior.

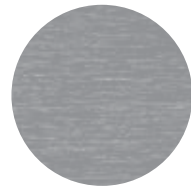




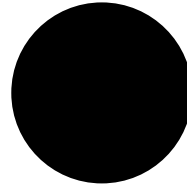
Inlays

Inlays are the all-important finishing touch that add flair and interest to your car's interior.

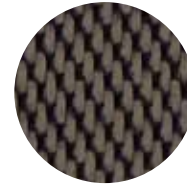
Order Code		S line	S line Special Edition Plus	S5 quattro	Total RRP inc VAT*
5TG	Matt-brushed aluminium	S	–	S	£0.00
5TL	Piano finish, black	•	S	–	£0.00
5MK	Carbon atlas	–	–	•	£255.00
5TZ	Fine grain birch wood, grey	•	•	•	£330.00
5MZ	Stainless steel mesh (centre console comes in Piano finish, black)	–	–	•	£365.00
5TB	Aluminium, beaufort	•	•	•	£950.00



Matt-brushed aluminium – **5TG**



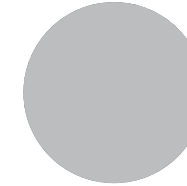
Piano finish, black – **5TL**



Carbon atlas – **5MK**



Fine grain birch wood, grey – **5TZ**



Stainless steel mesh (centre console comes in Piano finish, black) – **5MZ**



Aluminium, beaufort – **5TB**

Options are subject to availability and may extend time taken for delivery.

– = Not available
• = Available
S = Standard

All the inlay swatches on this page are matched as accurately as possible to the actual inlay colours used. However, due to print processes, Audi UK cannot guarantee that colours shown are 100% accurate.

*Total RRP inc VAT – Recommended Retail Price including VAT which is calculated at 20%. This may alter to reflect any change in the applicable VAT rate.

Inlays

Audi exclusive

Audi exclusive offers an alternative range of materials which you can select for your inlays, from Oak, sepia to Fine grain myrtle, nutmeg.

Order Code		S line	S line Special Edition Plus	S5 quattro	Total RRP inc VAT*
YTA S3G	Audi exclusive inlays (cannot be combined with the inlays shown on page 42)	●	●	●	£950.00



Fine grain ash, nougat



Fine grain myrtle, nutmeg



Oak, sepia

Options are subject to availability and may extend time taken for delivery.

- = Not available
- = Available
- S = Standard

All the inlay swatches on this page are matched as accurately as possible to the actual inlay colours used. However, due to print processes, Audi UK cannot guarantee that colours shown are 100% accurate.

*Total RRP inc VAT – Recommended Retail Price including VAT which is calculated at 20%. This may alter to reflect any change in the applicable VAT rate.

Options

Every driver has different needs, which is why we have developed some useful options to further enhance your car. For extra comfort, support, style or function, you can choose from a variety of additional features, tailoring everything from your infotainment and audio equipment to your wheels and lighting.





Wheels, tyres and suspension

Choose a set of specially selected alloy wheels to subtly enhance the way your car looks. And you can also specify Audi Drive Select, which allows you to change suspension and steering settings according to your driving style.



18" x 8.5J '5-double-spoke'
design alloy wheels - PQG



19" x 9J '7-twin-spoke'
design alloy wheels - PQ7



20" x 9J '5-twin-spoke high-gloss'
design alloy wheels - PQQ

Options are subject to availability and may extend time taken for delivery.

Please note that choosing an optional wheel may affect fuel consumption figures and the CO₂ emissions of your A5 Cabriolet. This may result in a change in the subsequent Vehicle Excise Duty payable. Please see pages 63, 65, 66 and 70 for more details.

All alloy wheel images are matched as accurately as possible to the actual colour. However, due to print processes, Audi UK cannot guarantee that the colours shown are 100% accurate.

*Not available on 3.0 TDI 204PS, 2.0 TDI 150PS and 1.8 TFSI 170PS engines.

*Total RRP inc VAT - Recommended Retail Price including VAT which is calculated at 20%. This may alter to reflect any change in the applicable VAT rate.

Wheels, tyres and suspension

Choose a set of specially selected alloy wheels to subtly enhance the way your car looks. And you can also specify Audi Drive Select, which allows you to change suspension and steering settings according to your driving style.

Options are subject to availability and may extend time taken for delivery.

Please note that choosing an optional wheel may affect fuel consumption figures and the CO2 emissions of your A5 Cabriolet. This may result in a change in the subsequent Vehicle Excise Duty payable. Please see pages 63, 65, 66 and 70 for more details.

All alloy wheel images are matched as accurately as possible to the actual colour. However, due to print processes, Audi UK cannot guarantee that the colours shown are 100% accurate.

*Not available on 3.0 TDI 204PS, 2.0 TDI 150PS and 1.8 TFSI 170PS engines.

*Total RRP inc VAT – Recommended Retail Price including VAT which is calculated at 20%. This may alter to reflect any change in the applicable VAT rate.

Order Code		S line	S line Special Edition Plus	S5 quattro	Total RRP inc VAT*
PQG	18" x 8.5J '5-double-spoke' design alloy wheels with 245/40 R18 tyres	S	–	–	£0.00
PQ9	19" x 9J '10-Y-spoke' design gloss black alloy wheels with 255/35 R19 tyres (please see page 20 for image)	–	S	–	£0.00
PQ7	19" x 9J '7-twin-spoke' design alloy wheels with 255/35 R19 tyres	●	–	–	£600.00
		–	–	●	£1,000.00
		–	●	–	£0.00
PQQ	20" x 9J '5-twin-spoke high-gloss' design alloy wheels with 265/30 ZR20 tyres*	–	–	●	£1,500.00
2H1	Audi Drive Select. Changes your car's handling and responses at the touch of a button to suit the way you want to drive. There are five modes: comfort, dynamic, auto, individual and efficient. Please note that you can only choose the individual mode and customise your settings if you also have Satellite Navigation installed. When operating in efficiency mode, the engine and gear shift programmes are altered to optimise fuel consumption. The air-conditioning system is also configured to allow for optimum energy use	●	●	●	£220.00
1N8	Dynamic steering. With this technology, driving is significantly more agile under everyday conditions, while directional stability is increased at high speeds and in demanding driving situations. Must be combined with Audi Drive Select	●	●	●	£375.00
1BL	Damper control. Formed on the basis of lowered Sport suspension, the optional damper control system fine-tunes suspension settings according to road conditions and driver needs. Must be combined with Audi Drive Select	●	●	●	£300.00
GH2	Audi quattro Sport differential. Must be combined with Audi Drive Select, only available on 3.0 TDI 245PS and S5 engines	●	●	●	£620.00
1BV	S line Sport suspension. Lowered by 30mm with more firmly tuned springs and dampeners for more direct contact with the road	●	●	–	£0.00

Packages

Some items work well together, which is why we've created these special packages.

Vehicle driver assistance and safety systems are not a substitute for attentive driving. Drivers retain full responsibility for providing the necessary inputs for safe control of the vehicle. System descriptions within this brochure are provided for information purposes only. System limitations and operational requirements apply. See manual for details.

Order Code	S line	S line Special Edition Plus	S5 quattro	Total RRP inc VAT*
WB6	–	–	•	£1,695.00

Technology package
Featuring MMI Navigation system – HDD-based with Audi Music Interface and Audi parking system advanced

MMI Navigation system plus. Hard disk navigation with topographical map display, places-of-interest and town models in 3D, with high-resolution 7" colour TFT display. The system offers three alternative routes, with the ability to scroll along the selected route and manoeuvre within the map. Uses 7-digit postcode recognition. Includes split-screen mode for route information, dynamic route guidance (TMC), intersection zoom function, motorway exits and lane recommendations in Driver's Information System (DIS). Includes two SD card readers, single CD/DVD player, 40GB hard drive and Jukebox (20GB) for storing and managing music files in WMA and MP3 format. Includes European navigation data (where digitised)

Additional functionality is available when combined with optional Mobile telephone preparation – High with Audi Connect (9ZW). For more details please see option 9ZW

Audi Music Interface. Connection for use with stereo audio sources, USB and MP3 devices including Apple iPod generation 4 onwards and Apple iPhone

Audi parking system advanced – aids parking by acoustically and visually indicating distances to obstacles in front of and behind your A5 with guiding lines. Measured by ultrasonic sensors and camera integrated discreetly in the boot handle

Options are subject to availability and may extend time taken for delivery.

- = Not available
- = Available
- S = Standard

*Total RRP inc VAT – Recommended Retail Price including VAT which is calculated at 20%. This may alter to reflect any change in the applicable VAT rate.



Packages

Some items work well together, which is why we've created these special packages.

Vehicle driver assistance and safety systems are not a substitute for attentive driving. Drivers retain full responsibility for providing the necessary inputs for safe control of the vehicle. System descriptions within this brochure are provided for information purposes only. System limitations and operational requirements apply. See manual for details.

Order Code	S line	S line Special Edition Plus	S5 quattro	Total RRP inc VAT [†]
<p>PCF</p> <p>Assistance package Contains Adaptive cruise control with braking guard and Audi side assist</p> <p>Adaptive cruise control with braking guard. Intelligent automatic speed and distance control system. Works at speeds from 19-155mph,* using radar sensors to measure and maintain required distance to vehicle ahead by braking and accelerating. Four programmes (distance 1 to distance 4) set via steering column controls of the cruise control system. Includes Audi braking guard – a system which triggers a visual and acoustic alarm when it detects the risk of a rear end collision with the vehicle in front. At speeds below 19mph the system can initiate partial braking or full deceleration if a potential impact is detected to help prevent a collision, or if it is not possible to completely prevent a collision, the system will focus on reducing the speed at which the vehicles collide</p> <p>Audi side assist. Aids the driver when changing lane. Audi side assist monitors the area behind the car using radar sensors located discreetly in the rear bumper, informing the driver with a visual warning signal in the door mirror if there is a vehicle in their blind spot or approaching quickly from behind.</p> <p>Only available in combination with the Technology package (WB6) or Satellite Navigation</p>	●	●	●	£625.00

Options are subject to availability and may extend time taken for delivery.

- = Not available
- = Available
- S = Standard

*Where the law permits.

[†]Total RRP inc VAT – Recommended Retail Price including VAT which is calculated at 20%. This may alter to reflect any change in the applicable VAT rate.

Audio and communication

Stay in touch using our range of communication functions, and give each journey its own soundtrack with our advanced audio equipment.

Order Code		S line	S line Special Edition Plus	S5 quattro	Total RRP inc VAT*
8UM	Audi Symphony radio. AM/FM twin tuner with TP memo function. Front-loading 6-CD changer with MP3 compatibility and active front and rear speakers. Includes colour centre console screen, SD memory card reader and AUX-IN socket. Cannot be combined with Technology package (WB6) or Satellite Navigation	–	–	●	£280.00
9VK	Bang & Olufsen sound system. Designed specifically for the Audi A5 Cabriolet, featuring 14 high-performance speakers and two amplifiers which create 505 watts of stunning sound, balanced to suit the specific acoustic properties of the car's interior. The system constantly and automatically adapts the sound characteristics to the vehicle's speed, background noise and whether the roof is open or closed, to provide the highest quality. The reproduction of 5.1 surround sound is possible in conjunction with Technology package (WB6) or Satellite Navigation	●	S	●	£535.00

Options are subject to availability and may extend time taken for delivery.

- = Not available
- = Available
- S = Standard

*Total RRP inc VAT – Recommended Retail Price including VAT which is calculated at 20%. This may alter to reflect any change in the applicable VAT rate.



Audi Symphony radio



Bang & Olufsen sound system

Audio and communication

Order Code		S line	S line Special Edition Plus	S5 quattro	Total RRP inc VAT*
PT5	Mobile telephone preparation – Low with Bluetooth. Provides hands-free connection via Bluetooth using the mobile phone aerial. Alternatively, it can use a cradle with charging facility for optimal reception via external aerial. Located in front centre armrest. Cradle available at extra cost – please contact your Audi Centre for mobile phone and software version compatibility or visit www.audi.co.uk/phonecompatibility	●	●	–	£175.00
9ZW	Mobile telephone preparation – High with Audi Connect. Audi Connect provides access to a number of innovative online services via an internal UMTS™ (3G) module. Audi Connect online services include: navigation using Google Earth™ images and Google Street View™, destination entry via Google Maps™ or myAudi, online points-of-interest search and information services such as weather forecasts and the latest world news. Audi Connect also includes Audi traffic information online, which gives accurate real-time forecasts of the traffic situation along the chosen route. The traffic situation can be displayed on the navigation map or Google Earth™ image. Audi Connect can also create a Wi-Fi hotspot in the car for convenient internet access using a mobile device (e.g. laptop or tablet). Many Audi Connect features can be simply operated via MMI Navigation Plus or the multi-function steering wheel. Only in combination with Technology package (WB6) or Satellite Navigation Important connectivity information: An external data source is required to enable the Audi Connect online services. Please refer to the detailed information on Audi Connect compatibility and data source requirements which can be found on page 70	●	●	●	£350.00
UF7	Audi Music Interface (AMI). Universal connection for use with stereo audio sources, USB and MP3 devices including Apple iPod generation 4 onwards (iPod, iPod classic, iPod mini, iPod nano, iPod photo, iPod video, iPod touch). Provides intuitive control through the audio system and multi-function steering wheel (where fitted). It also replicates the iPod display on the audio screen and DIS, including track titles. The interface provides charging function (dependent on device and cable). Includes two cables to connect your iPod or USB MP3 device. AUX-IN is deleted with this option	●	S	●	£255.00
7D1	CD changer and DVD player. 6-CD changer located in the glove box and single CD/DVD slot in centre console. Only in combination with Technology package (WB6) or Satellite Navigation	●	●	●	£305.00
QU6	Digital TV reception. Reception of digital (DVB-T) uncoded television stations (MPEG-2 standard), TV picture, teletext and Electronic Programme Guide (EPG). Facility to connect two external AV sources via adaptor cables (available from Audi Genuine Accessories). Please note: TV reception depends on local digital network availability. No AV or TV video output when driving (audio output available when driving). Only in combination with Technology package (WB6) or Satellite Navigation	●	●	●	£825.00

Options are subject to availability and may extend time taken for delivery.

– = Not available
● = Available
S = Standard

*Total RRP inc VAT – Recommended Retail Price including VAT which is calculated at 20%. This may alter to reflect any change in the applicable VAT rate.

Interior equipment

Specify every detail of your car's interior with this range of options.

Vehicle driver assistance and safety systems are not a substitute for attentive driving. Drivers retain full responsibility for providing the necessary inputs for safe control of the vehicle. System descriptions within this brochure are provided for information purposes only. System limitations and operational requirements apply. See manual for details.

Options are subject to availability and may extend time taken for delivery.

- = Not available
• = Available
S = Standard

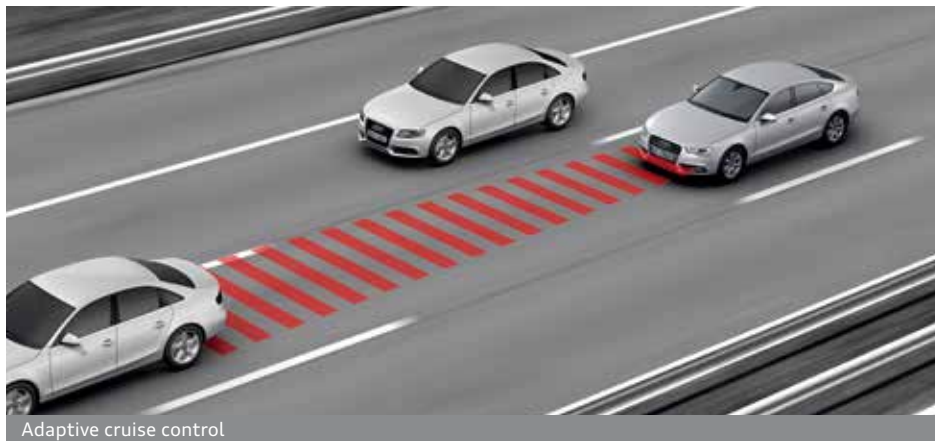
*Where the law permits.

**HomeLink® is a registered trademark of Johnson Controls. For information on compatibility, visit www.homelink.com

*The leather, stitching and piping (where applicable) can be selected from any of the Audi exclusive colours shown on page 38. The carpet colour can also be selected from any of the Audi exclusive colours shown on page 38, except for Crimson red and Saddle brown.

*Total RRP inc VAT – Recommended Retail Price including VAT which is calculated at 20%. This may alter to reflect any change in the applicable VAT rate.

Order Code		S line	S line Special Edition Plus	S5 quattro	Total RRP inc VAT*
PG3	Advanced key. Access and authorisation system which automatically exchanges data between key and vehicle, allowing the driver to keep the key in their pocket or bag at all times. To unlock and open, simply lift the exterior door handle. To lock, press the button on the handle. Pressing the start/stop button integrated in the centre console starts and stops the engine	•	•	•	£470.00
8T4	Adaptive cruise control (ACC) with braking guard. Intelligent automatic speed and distance control system. Works at speeds from 19-155mph,* using radar sensors to measure and maintain required distance to vehicle ahead by braking and accelerating. Four programmes (distance 1 to distance 4) set via steering column controls of the cruise control system. Includes Audi braking guard – a system which triggers a visual and acoustic alarm when it detects the risk of a rear end collision with the vehicle in front. At speeds below 19mph, the system can initiate partial braking or full deceleration if a potential impact is detected to help prevent a collision, or if it is not possible to completely prevent a collision, the system will focus on reducing the speed at which the vehicles collide	•	•	•	£900.00
VC1	Garage door opener (HomeLink®**). Programmable radio-operated remote control for compatible doors/gates. Control buttons integrated in the front roof module	•	•	•	£180.00
QQ1	Interior light package. Includes front and rear footwell lighting, active door reflectors, illuminated vanity mirrors, entrance lights and illuminated glove compartment, vents and internal door controls	•	•	S	£150.00
YSR S3G	Audi exclusive floor mats with leather piping.* Includes four floor mats for front and rear (cannot be combined with option YSQ/S3G – Audi exclusive carpets)	•	•	•	£450.00
YSQ S3G	Audi exclusive carpets.* Includes four Audi exclusive floor mats with leather piping (cannot be combined with option YSR/S3G – Audi exclusive floor mats)	•	•	•	£975.00
6Q6	Audi exclusive aluminum gear knob. Manual gearboxes only. Not in combination with interior codes BI, IJ or IF	•	•	–	£150.00



Adaptive cruise control



Advanced key

Exterior equipment

Make sure your car looks exactly as you want it to by selecting some of the options opposite.

Order Code		S line	S line Special Edition Plus	S5 quattro	Total RRP inc VAT*
8N7	High-beam assist. Automatically adjusts headlights from high-beam to dipped-beam when another vehicle is approaching	●	●	●	£110.00
8Q5	Adaptive lights. Swivelling headlights for improved illumination of a winding road	●	●	●	£330.00
2Z0	Deletion of model and engine technology designation at rear	●	●	—	£0.00
2Z7	Deletion of engine technology designation at rear	●	●	—	£0.00
6XE	Door mirrors – electrically adjustable, folding and heated. Includes automatic kerb view function, which tilts the passenger mirror downwards towards the kerb when reverse gear is engaged	●	●	●	£180.00
6XK	Door mirrors – electrically folding, heated and auto-dimming. Includes automatic kerb view function, which tilts the passenger mirror downwards towards the kerb when reverse gear is engaged	●	●	●	£290.00
1D2	Tow bar – removable. Includes single European 13-pin electrical socket and may require a 13- to 7-pin adapter. Please consult your Audi Centre for details*	●	●	—	£665.00

Options are subject to availability and may extend time taken for delivery.

- = Not available
- = Available
- S = Standard

*Additional wiring is required for auxiliary equipment.

*Total RRP inc VAT – Recommended Retail Price including VAT which is calculated at 20%. This may alter to reflect any change in the applicable VAT rate.

Safety and security

Technology designed to give you better all-round awareness and safety on the road.

Vehicle driver assistance and safety systems are not a substitute for attentive driving. Drivers retain full responsibility for providing the necessary inputs for safe control of the vehicle. System descriptions within this brochure are provided for information purposes only. System limitations and operational requirements apply. See manual for details.

Options are subject to availability and may extend time taken for delivery.

- = Not available
- = Available
- S = Standard

*Total RRP inc VAT – Recommended Retail Price including VAT which is calculated at 20%. This may alter to reflect any change in the applicable VAT rate.

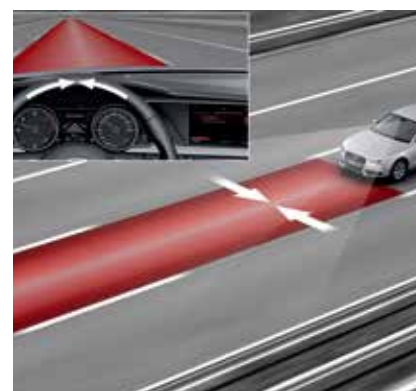
Order Code		S line	S line Special Edition Plus	S5 quattro	Total RRP inc VAT*
7X8	Audi parking system advanced. Aids parking by acoustically and visually indicating distances to obstacles with guiding lines. Measured by sensors and reversing camera. Only in combination with Technology package (WB6) or Satellite Navigation	•	S	•	£340.00
7Y1	Audi side assist. Aids the driver when changing lane. Audi side assist monitors the area behind the car using radar sensors located discreetly in the rear bumper, informing the driver with a visual warning signal in the door mirror if there is a vehicle in their blind spot or approaching quickly from behind. The system is activated using a button in the driver's door	•	•	•	£440.00
7Y4	Audi active lane assist. Uses a discreet camera mounted at the top of the windscreen to monitor the road ahead. Assists the driver to stay in lane with gentle steering impulses. Informs the driver if the car is drifting out of lane unintentionally above 37mph. Choice of two settings: early steering intervention with continuous steering impulses to centre vehicle in lane and late steering intervention which alerts the driver that the vehicle is potentially crossing lanes and applies corrective steering prompt	•	•	•	£370.00
UH2	Audi hill-hold assist. Uses either the ESC system or electromechanical parking brake to hold the vehicle stationary	•	•	•	£65.00



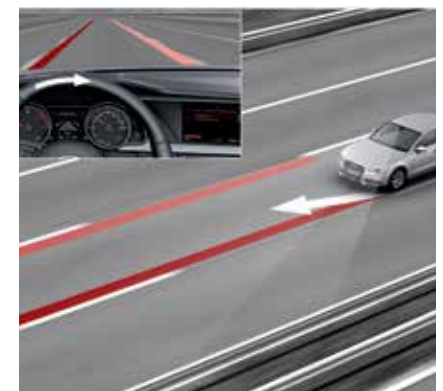
Audi parking system advanced



Audi side assist



Audi active lane assist (setting 1: early steering intervention)



Audi active lane assist (setting 2: late steering intervention)

Steering wheels

You can choose from a selection of leather multi-function steering wheels, allowing you to control your audio system at the touch of a button.

Order Code		S line	S line Special Edition Plus	S5 quattro	Total RRP inc VAT*
2PF	3-spoke multi-function flat-bottomed steering wheel.* Manual models only	●	●	—	£100.00
2PK	3-spoke multi-function flat-bottomed steering wheel with gear-shift paddles.* Automatic models only	●	●	●	£100.00
YRB S3G	Audi exclusive controls package.** Includes leather-covered steering wheel and gear-shift gaiter	●	●	●	£750.00

Options are subject to availability and may extend time taken for delivery.

- = Not available
- = Available
- S = Standard

*Flat-bottomed steering wheels are not available in combination with Audi exclusive line.

**The leather and stitching (where applicable) can be selected from any of the Audi exclusive colours shown on page 38.

*Total RRP inc VAT – Recommended Retail Price including VAT which is calculated at 20%. This may alter to reflect any change in the applicable VAT rate.



Looking after your Audi

When you've chosen your ideal model, it's reassuring to know that it will remain in safe hands. That's why we've created products to protect your Audi, from extended warranties to Audi Complete – our comprehensive service and maintenance package. And there's also a range of Audi accessories and merchandise to choose from, enabling you to further enhance and safeguard your car.





Audi Complete

If you drive under 10,000 miles per annum your vehicle will be placed on a fixed inspection service schedule. If your mileage tends to exceed 10,000 miles per annum it will be placed on the Flexible Service schedule.

Audi Complete is our fixed-cost maintenance plan, which helps you keep your Audi in top condition and stay in control of your finances. For a simple monthly payment, you could cover your car's servicing, maintenance and, if you want, its tyres too.

So not only will you ensure your car runs smoothly, regular servicing can protect its future resale value. And because everything's covered by one competitive price, there's no need to go anywhere else.

Pricing is completely tailored to your vehicle and takes into consideration the options you have on your vehicle and your likely annual mileage and resultant service schedule. Please speak to your Audi Centre for a personalised quote for Audi Complete.

Warranty

All new Audi models come with a three-year warranty as standard, and you can choose to extend this to a four or five-year warranty* for a one-off cost. What's more, if you decide to sell your Audi before the warranty expires, it will be fully transferred to the new owner.

Order Code		A5 Cabriolet	S5 quattro	Total RRP inc VAT [†]
-	Audi Warranty , covering you for unlimited mileage in the first two years of ownership, and up to 60,000 miles in the third year. Transferable between owners**	S	S	£0.00
EA6	Audi Warranty , covering you for up to four years or 75,000 miles, whichever comes sooner. Cover includes a two-year unlimited mileage warranty, and up to 75,000 miles in the third and fourth years. Transferable between owners**	●	●	£535.00
EA9	Audi Warranty , covering you for up to five years or 90,000 miles, whichever comes sooner. Cover includes a two-year unlimited mileage warranty, and up to 90,000 miles in the third, fourth and fifth years. Transferable between owners**	●	●	£1,255.00

- = Not available
● = Available
S = Standard

*Three-year warranty consists of a two-year unlimited mileage warranty and a third year warranty with a 60,000-mile limitation. Four-year warranty consists of a two-year unlimited mileage warranty and two further years' coverage with a 75,000-mile limitation. Five-year warranty consists of a two-year unlimited mileage warranty and three further years' coverage with a 90,000-mile limitation.

**Only available prior to registration of your new A5 Cabriolet. Please speak to your Audi Centre for full details.

[†]Total RRP inc VAT – Recommended Retail Price including VAT which is calculated at 20%. This may alter to reflect any change in the applicable VAT rate.



Accessories

Choosing an Audi isn't just a matter of deciding on the model you want; it's about creating a car that suits your needs perfectly. And that's why we've developed a whole range of optional accessories to enhance your A5 Cabriolet, enabling you to customise it down to the last detail. Like your Audi, all these accessories are developed to the highest possible standards. They're all available exclusively from Audi.

To find out more, just visit www.audi.co.uk/accessories or contact your local Audi Centre.

Warranty

All of the accessories available on the A5 Cabriolet are covered by a three-year warranty* if they are ordered and included in the purchase price of the car at date of delivery. Any accessories ordered and installed after delivery include a two-year warranty.*

*Excluding Road Angel products. Audi Accessories warranty terms and conditions can be found at www.audi.co.uk/warrantyterms



Merchandise

From the enthusiasts' motorsport collection to the sophisticated Audi collection, there's a wide variety of adults' and children's clothing, lifestyle accessories and collectables, all of which bear the Audi name.

Please speak to a member of our team at your local Audi Centre to see the full Audi collection and to place an order. A selection of Audi merchandise is also available to buy from www.audi.co.uk/merchandise



Image shown is the Audi kids' car legends, item number 320.13.004.00

The Audi Difference

The experts in Vorsprung durch Technik

Our Audi Approved Master Technicians have undergone an impressive 100,000 hours of training over a 10-year programme to ensure they have the latest technical expertise for maintaining and servicing your Audi. All our Service Advisors undergo a specialist induction and training to ensure they are Audi professionals and able to talk to you about any issues you may have with your Audi vehicle.

Servicing tailored to your needs

Regular servicing is key to safeguarding your Audi's performance and a full service history could help you enhance the future re-sale value. To make servicing easy, the Audi Service Schedules have been designed to work with your individual driving style and vehicle.

We offer two different schedules: the Fixed Inspection Service and the Flexible Service schedule. The conventional Fixed Inspection Service schedule has fixed intervals for the Oil-change Service and Inspection Service, which are determined by time and distance.

With the Flexible Service schedule, the Inspection Service intervals are also fixed but the Oil-change Service intervals are variable. Sensors take account of driving style and conditions to determine when the Oil-change Service is required and the driver is informed via the on-board service interval display.

The choice of Service Schedule will depend on journey type and mileage as well as individual driving style and conditions. The table to the right can be used for guidance but your Audi Centre will help you to determine the most suitable Service schedule for you based on your individual circumstances and preferences.

Fixed Inspection Service Schedule

	Vehicle usage:
Mileage	Less than 10,000 miles per annum Mainly city/town centre driving. Short journeys.
	Service Intervals:
Oil-change Service	Fixed to every 9,000+ miles/one year
Inspection Service	Fixed to every 19,000+ miles/ two years

Flexible Service Schedule

	Vehicle usage:
Mileage	More than 10,000 miles per annum Motorway and main road driving. Mainly longer distance journeys. Constant speeds.
	Service Intervals:
Oil-change Service	Variable to a maximum of every 19,000+ miles/two years
Inspection Service	Fixed to every 19,000+ miles/ two years

When a vehicle is frequently used in the following conditions, we recommend a Fixed Inspection Service Schedule, regardless of mileage:

Uneconomical driving styles, e.g. heavy acceleration and braking, constant use of high revs
High engine-loading conditions, e.g. frequent towing and hill climbs

*As indicated by the service interval display. Mileages are approximate as the Service Indicator system uses kilometres as its distance measurement.

Your convenience comes first

At Audi you can choose from a range of convenient services that suit your needs. Why not book a 'service while you wait' appointment* and enjoy our complimentary refreshments while your car is with us? Or, if you need to be mobile, take advantage of one of our courtesy cars which we can even deliver to you.* We guarantee we can service your Audi within five days without a courtesy car or within 10 days if you need transport. We will also ensure your car is returned to you with a full valet.

Audi Genuine Parts

You can rest assured that only Audi Genuine Parts will be used on your vehicle. What's more, Audi parts and labour come with a two-year guarantee.**

No hidden costs

We believe strongly in transparency when it comes to our prices. For added peace of mind, we will give you a quotation over the phone for the work you have requested and email you the price confirmation. We'll consult you if any additional work on your car is needed when it is with us. We won't carry out any extra work without asking your permission first.

All part of the service

Whenever we see an Audi for a service, we connect it directly to our headquarters in Ingolstadt which enables us to check your car's software and make sure it's as up-to-date as possible. If the factory has released a software upgrade for your model, it can be applied immediately - improving anything from your car's efficiency to the precision of its parking system.

Audi Roadside Assistance

Your new car comes complete with three years' complimentary roadside assistance and recovery across the UK, provided by Automobile Association Insurance Services Limited. Also included is roadside assistance throughout Europe, managed by Automobile Association Insurance Services Limited.

For further information and terms and conditions please visit www.audi.co.uk

*Subject to availability.
**Excludes wear and tear.



A5 Cabriolet Petrol technical data

Engine	1.8 TFSI	1.8 TFSI	2.0 TFSI	2.0 TFSI	2.0 TFSI quattro
Transmission	6-speed manual	multitronic	6-speed manual	multitronic	7-speed S tronic
Cylinder	4-cylinder	4-cylinder	4-cylinder	4-cylinder	4-cylinder
Displacement, cubic cm (valves per cylinder)	1798	1798	1984	1984	1984
Max. power, ¹ PS at rpm	177/4000-6200	177/4000-6200	230/4700-6200	230/4700-6200	230/4700-6200
Max. torque, Nm at rpm	320/1400-3850	320/1400-3850	350/1500-4600	350/1500-4600	350/1500-4600
Top speed, mph	139	133	153	147	150
0-62mph acceleration, seconds	8.7	8.9	7.4	7.6	7.2
ABI insurance group 1-50*	33E	33E	37E	37E	39E
Unladen weight, ² kg	1620	1655	1630	1660	1735
Gross weight limit, kg	2120	2155	2130	2160	2235
Roof load limit/Nose weight, kg	-/80	-/80	-/80	-/80	-/80
Max trailer load unbraked, ³ kg	750	750	750	750	750
Max trailer load with 12% gradient, ³ kg	1500	1300	1500	1500	1700
Max trailer load with 8% gradient, ³ kg	1700	1500	1700	1700	1900
Luggage compartment capacity, litres, seats folded up/down	380/750	380/750	380/750	380/750	380/750
Fuel tank capacity approx, litres	63	63	63	63	61
Emission standard	EU6	EU6	EU6	EU6	EU6

*Highest insurance group rating shown. Group may be lower dependent on trim level. Please visit www.thatcham.org/abigrouprating for details.

¹The given value was obtained in accordance with the specified measurement procedure (the respective current version of the Directive 80/1269/EEC).

²Vehicle's unladen weight without driver (calculated in accordance with the current version of Directive 80/1268/EEC). The fitting of additional equipment may increase the vehicle's unladen weight and drag coefficient, whereupon the potential carrying capacity and top speed will be correspondingly reduced.

³The engine's power output always goes down with increasing altitude. At 1,000m above sea level, and for every additional 1,000m, deduct 10% from the weight of the outfit (trailer load limit + gross weight of the towing vehicle).

Please note: The maximum power output figures are quoted in PS (or Pferdestärke, which is the metric equivalent of brake horsepower). To convert to brake horsepower, divide the PS figure by 1.0139.

A5 Cabriolet Petrol technical data

Depending upon your chosen A5 Cabriolet wheel size, different efficiency figures for CO₂ emissions and fuel consumption will apply (based on EU directive no. 715/2007 effective from 01/09/14). This table is a quick reference guide to assist you in finding the correct values based on wheels sizes and your chosen engine.

Engine		1.8 TFSI	1.8 TFSI	2.0 TFSI	2.0 TFSI	2.0 TFSI quattro
Transmission		6-speed manual	multitronic	6-speed manual	multitronic	7-speed S tronic
Max. power, ¹ PS at rpm		177/4000-6200	177/4000-6200	230/4700-6200	230/4700-6200	230/4700-6200
CO ₂ emissions, ² g/km	18" wheels	144	146	152	153	167
	19" wheels	154	154	157	156	175
Benefit in kind 2016/17 tax year (BIK)%	18" wheels	25%	26%	27%	27%	30%
	19" wheels	27%	27%	28%	28%	32%
Fuel consumption, ² mpg (l/100km) Urban	18" wheels	36.7 (7.7)	37.2 (7.6)	33.6 (8.4)	34.9 (8.1)	31.4 (9.0)
	19" wheels	34.9 (8.1)	36.2 (7.8)	32.8 (8.6)	34.4 (8.2)	30.4 (9.3)
Fuel consumption, ² mpg (l/100km) Extra Urban	18" wheels	52.3 (5.4)	50.4 (5.6)	50.4 (5.6)	48.7 (5.8)	45.6 (6.2)
	19" wheels	48.7 (5.8)	47.1 (6.0)	47.9 (5.9)	47.9 (5.9)	42.8 (6.6)
Fuel consumption, ² mpg (l/100km) Combined	18" wheels	45.6 (6.2)	44.8 (6.3)	42.8 (6.6)	42.8 (6.6)	38.7 (7.3)
	19" wheels	42.2 (6.7)	42.2 (6.7)	40.9 (6.9)	42.2 (6.7)	37.2 (7.6)

¹The given value was obtained in accordance with the specified measurement procedure (the respective current version of the Directive 80/1269/EEC).

²Fuel consumption and CO₂ emissions figures are obtained under standardised test conditions (Directive 93/116/EEC) using a representative model. This allows direct comparison between different models from different manufacturers, but may not represent the actual fuel consumption achieved in 'real world' driving conditions. More information is available at www.dft.gov.uk/vca

Please note: The maximum power output figures are quoted in PS (or Pferdestärke, which is the metric equivalent of brake horsepower). To convert to brake horsepower, divide the PS figure by 1.0139.

A5 Cabriolet Diesel technical data

Engine	2.0 TDI	2.0 TDI	2.0 TDI	3.0 TDI quattro
Transmission	6-speed manual	6-speed manual	multitronic	7-speed S tronic
Cylinder	4-cylinder	4-cylinder	4-cylinder	V6
Displacement, cubic cm (valves per cylinder)	1968	1968	1968	2967
Max. power, ¹ PS at rpm	150/3250-4200	190/3800-4200	190/3800-4200	245/4000-4500
Max. torque, Nm at rpm	320/1500-3250	400/1750-3000	400/1750-3000	580/1750-2500
Top speed, mph	130	145	140	155 ⁺
0-62mph acceleration, seconds	10.2	8.2	8.3	6.3
ABI insurance group 1-50 [*]	29E	35E	35E	43E
Unladen weight, ² kg	1710	1710	1745	1900
Gross weight limit, kg	2210	2210	2245	2400
Roof load limit/Nose weight, kg	-/80	-/80	-/80	-/80
Max trailer load unbraked, ³ kg	750	750	750	750
Max trailer load with 12% gradient, ³ kg	1600	1600	1700	1900
Max trailer load with 8% gradient, ³ kg	1800	1800	1900	2100
Luggage compartment capacity, litres, seats folded up/down	380/750	380/750	380/750	380/750
Fuel tank capacity approx, litres	63	63	63	61
AdBlue [®] tank [^] capacity approx, litres	20	20	20	20
Emission standard	EU6	EU6	EU6	EU6

⁺The addition of AdBlue[®] technology ensures compliance with EU6 emission standards. The use of AdBlue[®] will vary based on a number of conditions and the tank requires refilling when indicated on the instrument cluster.

^{*}Limited.

^{*}Highest insurance group rating shown. Group may be lower dependent on trim level. Please visit www.thatcham.org/abigrouprating for details.

¹The given value was obtained in accordance with the specified measurement procedure (the respective current version of the Directive 80/1269/EEC).

²Vehicle's unladen weight without driver (calculated in accordance with the current version of Directive 80/1268/EEC). The fitting of additional equipment may increase the vehicle's unladen weight and drag coefficient, whereupon the potential carrying capacity and top speed will be correspondingly reduced.

³The engine's power output always goes down with increasing altitude. At 1,000m above sea level, and for every additional 1,000m, deduct 10% from the weight of the outfit (trailer load limit + gross weight of the towing vehicle).

Please note: The maximum power output figures are quoted in PS (or Pferdestärke, which is the metric equivalent of brake horsepower). To convert to brake horsepower, divide the PS figure by 1.0139.

A5 Cabriolet Diesel technical data

Depending upon your chosen A5 Cabriolet wheel size, different efficiency figures for CO₂ emissions and fuel consumption will apply (based on EU directive no. 715/2007 effective from 01/09/14). This table is a quick reference guide to assist you in finding the correct values based on wheels sizes and your chosen engine.

¹The given value was obtained in accordance with the specified measurement procedure (the respective current version of the Directive 80/1269/EEC).

²Fuel consumption and CO₂ emissions figures are obtained under standardised test conditions (Directive 93/116/EEC) using a representative model. This allows direct comparison between different models from different manufacturers, but may not represent the actual fuel consumption achieved in 'real world' driving conditions. More information is available at www.dft.gov.uk/vca

Please note: The maximum power output figures are quoted in PS (or Pferdestärke, which is the metric equivalent of brake horsepower). To convert to brake horsepower, divide the PS figure by 1.0139.

Engine		2.0 TDI	2.0 TDI	2.0 TDI	3.0 TDI quattro
Transmission		6-speed manual	6-speed manual	multitronic	7-speed S tronic
Max. power, ¹ PS at rpm		150/3250-4200	190/3800-4200	190/3800-4200	245/4000-4500
CO ₂ emissions, ² g/km	18" wheels	129	133	134	167
	19" wheels	132	138	139	173
Benefit in kind 2016/17 tax year (BIK)%	18" wheels	25%	26%	26%	33%
	19" wheels	26%	27%	27%	34%
Fuel consumption, ² mpg (l/100km) Urban	18" wheels	49.6 (5.7)	47.1 (6.0)	48.7 (5.8)	37.2 (7.6)
	19" wheels	48.7 (5.8)	45.6 (6.2)	47.9 (5.9)	36.2 (7.8)
Fuel consumption, ² mpg (l/100km) Extra Urban	18" wheels	64.2 (4.4)	61.4 (4.6)	60.1 (4.7)	50.4 (5.6)
	19" wheels	61.4 (4.6)	58.9 (4.8)	57.6 (4.9)	47.9 (5.9)
Fuel consumption, ² mpg (l/100km) Combined	18" wheels	57.6 (4.9)	55.4 (5.1)	55.4 (5.1)	44.1 (6.4)
	19" wheels	56.5 (5.0)	53.3 (5.3)	54.3 (5.2)	42.8 (6.6)

S5 Cabriolet technical data

Depending upon your chosen S5 Cabriolet wheel size, different efficiency figures for CO2 emissions and fuel consumption will apply (based on EU directive no. 715/2007 effective from 01/09/14). This table is a quick reference guide to assist you in finding the correct values based on wheels sizes and your chosen engine.

*Limited.

*Highest insurance group rating shown. Group may be lower dependent on trim level. Please visit www.thatcham.org/abigrouprating for details.

¹The given value was obtained in accordance with the specified measurement procedure (the respective current version of the Directive 80/1269/EEC).

²Fuel consumption and CO2 emissions figures are obtained under standardised test conditions (Directive 93/116/EEC) using a representative model. This allows direct comparison between different models from different manufacturers, but may not represent the actual fuel consumption achieved in 'real world' driving conditions. More information is available at www.dft.gov.uk/vca

³Vehicle's unladen weight without driver (calculated in accordance with the current version of Directive 80/1268/EEC). The fitting of additional equipment may increase the vehicle's unladen weight and drag coefficient, whereupon the potential carrying capacity and top speed will be correspondingly reduced.

⁴The engine's power output always goes down with increasing altitude. At 1,000m above sea level, and for every additional 1,000m, deduct 10% from the weight of the outfit (trailer load limit + gross weight of the towing vehicle).

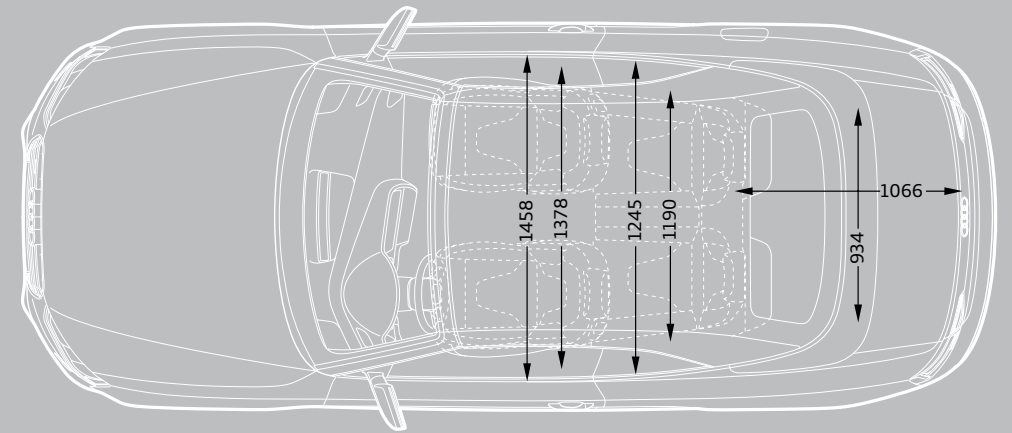
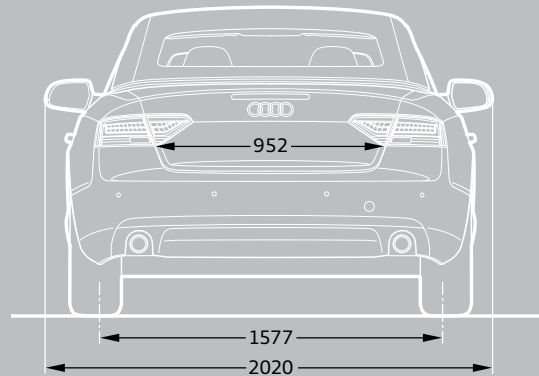
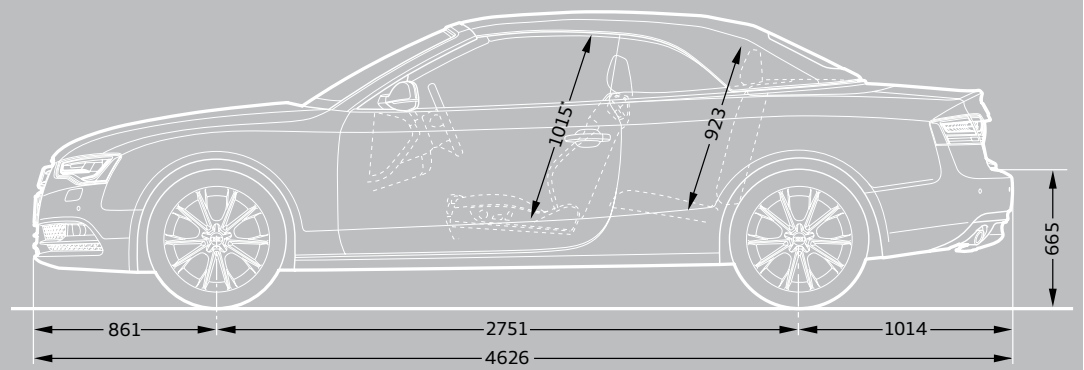
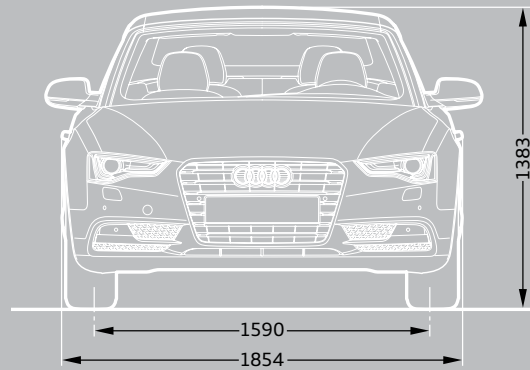
Please note: The maximum power output figures are quoted in PS (or Pferdestärke, which is the metric equivalent of brake horsepower). To convert to brake horsepower, divide the PS figure by 1.0139.

Engine	S5 quattro
Transmission	7-speed S tronic
Cylinder	V6
Displacement, cubic cm (valves per cylinder)	2995
Max. power, ¹ PS Nm at rpm	333/5500-6500
Max. torque, Nm at rpm	440/2900-5300
Top speed, mph	155+
0-62mph acceleration, seconds	5.4
CO2 emissions, ³ g/km	189
Benefit in kind 2016/17 tax year (BIK)%	34%
Fuel consumption, ³ mpg (l/100km) Urban	26.9 (10.5)
Fuel consumption, ³ mpg (l/100km) Extra Urban	41.5 (6.8)
Fuel consumption, ³ mpg (l/100km) Combined	34.9 (8.1)
ABI insurance group 1-50*	42E
Unladen weight, ³ kg	1880
Gross weight limit, kg	2430
Roof load/Nose weight, kg	80
Max trailer load unbraked, ⁴ kg	750
Max trailer load with 12% gradient, ⁴ kg	1900
Max trailer load with 8% gradient, ⁴ kg	2100
Luggage compartment capacity, litres, seats folded up/down	380/750
Fuel tank capacity approx, litres	61
Emission standard	EU6



A5 Cabriolet dimensions

The technical drawings opposite show the exact dimensions of the Audi A5 Cabriolet, so you can check everything - from whether the car will fit in your garage to whether your luggage will fit in the boot.



Dimensions in millimetres. Optional equipment may affect dimensions.

*Maximum headroom.

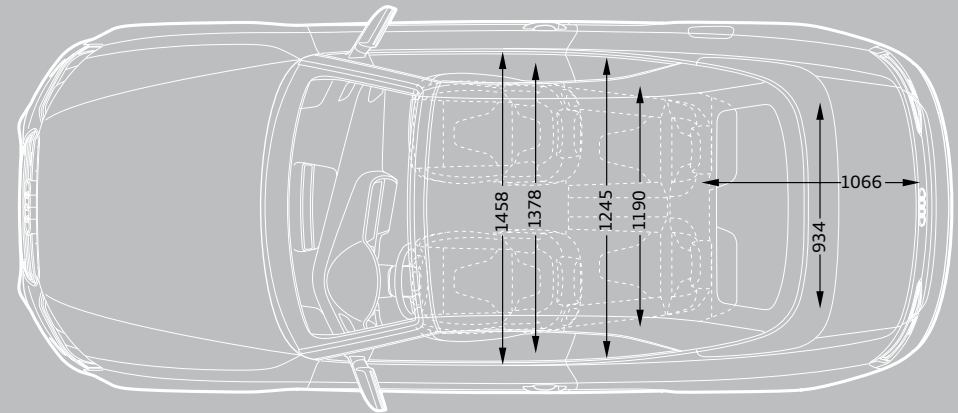
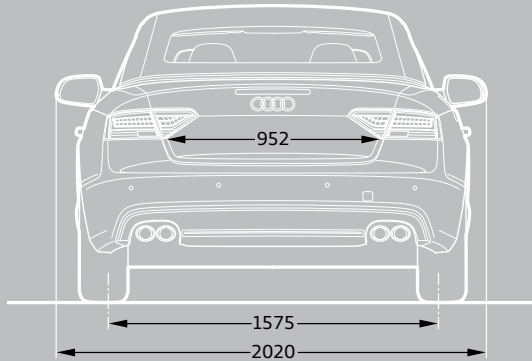
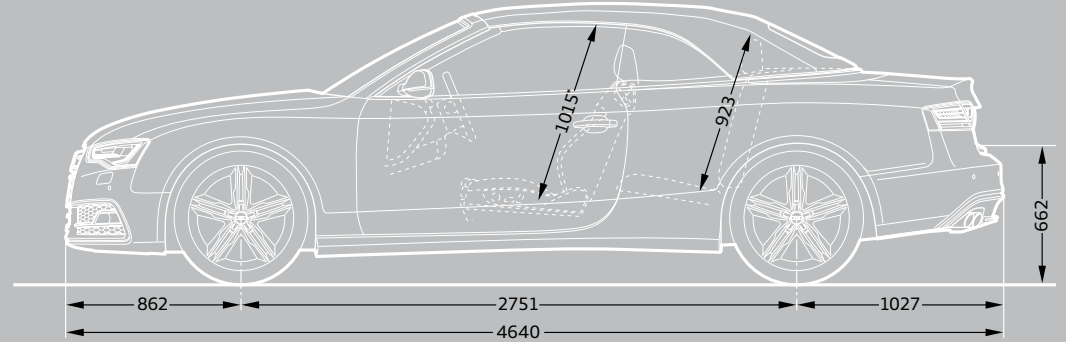
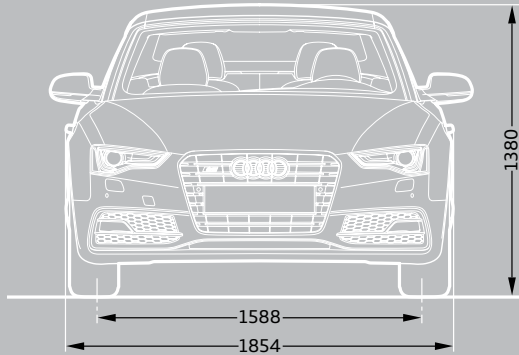
Turning circle approx 11.4m.

Dimensions measured with vehicle at unladen weight, ground clearance measured with vehicle carrying its maximum load.

Luggage compartment volume in litres:
 320 with hood open, 360 with hood closed,
 750 with rear seats folded (measured by the VDA standard test method using 200 x 100 x 50 mm blocks; second value: with rear seat folded down).

S5 Cabriolet dimensions

The technical drawings opposite show the exact dimensions of the Audi S5 Cabriolet, so you can check everything – from whether the car will fit in your garage to whether your luggage will fit in the boot.



Dimensions in millimetres. Optional equipment may affect dimensions.

*Maximum headroom.

Turning circle approx 11.4m.

Dimensions measured with vehicle at unladen weight, ground clearance measured with vehicle carrying its maximum load.

Luggage compartment volume in litres:
 320 with hood open, 360 with hood closed,
 750 with rear seats folded (measured by the VDA standard test method using 200 x 100 x 50 mm blocks; second value: with rear seat folded down).

Pricing and Additional information

Welcome to Audi

By placing an order for your Audi, you're choosing to drive a car created in the spirit of Vorsprung durch Technik. And because we believe the service we offer should reflect the quality of our cars, we want to let you know exactly what you can expect from us, now and in the future.

Audi Promise

Audi Centres

We guarantee that all our Centres will be open as follows:

Sales: Monday to Friday 9am–6pm
Saturday 9am–5pm

Service: Monday to Friday 8am–6pm
Saturday 8.30am–1pm

Sunday opening is at local discretion.

New car delivery

Once we've confirmed a delivery date for your car, we'll keep you informed of progress. Subject to reasonable notice, we'll then deliver it to a place of your choice, whether that's your home or work. In the unlikely event of a delay, we'll provide a courtesy car to minimise inconvenience and keep you mobile.

Information in this guide

We've done all we can to make the prices, specifications, technical details and all other information you see in this guide accurate at the time of publication. However, as our products are constantly being updated, we recommend checking the details with your Audi Centre. We reserve the right to change prices or specifications at any time.

All prices are subject to VAT, currently charged at 20%, but this may alter to reflect any change in the applicable VAT rate.

Delivery charges and number plates are not included in the Total RRP inc VAT vehicle price.

Delivery charge	£504.99
Number plate	£20.00
VAT	£105.01
Total	£630.00

Recommended On-the-Road (OTR) prices include the delivery and number plate charges above, Road Fund Licence (which may vary depending on model/transmission – see table for details) and first registration fee at £55.00.

The images featured in this guide are for illustrative purposes only. They may feature left-hand drive vehicles and include equipment that is not UK specification.

Audi Customer Care

Every new Audi benefits from the comprehensive Audi Customer Care Package, which comprises:

- ▶ A three-year Audi warranty, which covers you for unlimited mileage in the first two years of ownership, with a full mechanical and electrical warranty which covers you for up to 60,000 miles in the third year
- ▶ A three-year paint warranty
- ▶ A 12-year anti-corrosion warranty
- ▶ Three years' UK roadside assistance and recovery

You also have the option when ordering your new car of choosing a four-year or five-year Audi warranty. Speak to a member of the sales team for more information.

Warranty terms and conditions apply. Please see www.audi.co.uk/warrantyterms for further details.

Audi tax-free sales

If you are entitled to purchase a vehicle free of VAT, normally through military or diplomatic privilege, please contact your local Audi Centre for full details.

Should you have any difficulty obtaining the information you require, please call 0870 241 5663.

Audi Financial Services

Audi Financial Services specialises in providing funding solutions for Audi drivers. Whether your Audi is for private or business use, there is a range of funding options to choose from.

Below is the full range of finance products, which comprises:

- ▶ Solutions – a Personal Contract Plan
- ▶ Hire purchase
- ▶ Lease purchase
- ▶ Finance lease
- ▶ Contract hire

With all products, you can choose a fixed-cost maintenance plan designed to help you budget accurately.

No matter which Audi model you choose, your local Audi Centre can provide you with a personalised quote designed to fit your budget and motoring needs.

Audi Financial Services is a trading name of Volkswagen Financial Services (UK) Limited. An offer of finance depends on certain conditions. Available to people over 18 in the UK only.

Audi Insurance

To ensure you can start enjoying your new car from day one, the first five days' insurance is included as standard with all new Audi models. To activate simply call 0330 303 6900, provide us with a few details, and we'll send a cover note to your Audi Centre. They will then tax your car and you can drive it away. Telephone lines are open Monday to Friday 8am–8pm and Saturday 9am–4pm. For details of our full range of Insurance products visit www.insurewithaudi.co.uk

Additional information

CO₂ data and information

CO₂ emissions-based Vehicle Excise Duty

Vehicle Excise Duty (Road Fund Licence) is based upon the amount of Carbon Dioxide (CO₂) a vehicle emits, measured in grams per kilometre (g/km). First year VED rates apply to the first year of ownership. Annual VED rates apply thereafter. The DVLA has created thirteen categories:

Petrol and Diesel engines	First year	Annual rate (second year onwards)
A – up to 100g/km	£0.00	£0.00
B – 101 to 110g/km	£0.00	£20.00
C – 111 to 120g/km	£0.00	£30.00
D – 121 to 130g/km	£0.00	£110.00
E – 131 to 140g/km	£130.00	£130.00
F – 141 to 150g/km	£145.00	£145.00
G – 151 to 165g/km	£185.00	£185.00
H – 166 to 175g/km	£300.00	£210.00
I – 176 to 185g/km	£355.00	£230.00
J – 186 to 200g/km	£500.00	£270.00
K – 201 to 225g/km	£650.00	£295.00
L – 226 to 255g/km	£885.00	£500.00
M – over 255g/km	£1,120.00	£515.00

Vehicle Excise Duty (VED) rates correct at time of going to print, but these may alter to reflect any change in the applicable VED rate.

Audi Connect

An external data source is required to enable Audi Connect online services. One of two can be used:

1. A Bluetooth compatible mobile telephone with remote SIM Access Profile (rSAP). For mobile phone and software compatibility please visit www.audi.co.uk/phonecompatibility or your Audi Centre.
2. A separate SIM card which can be inserted in the included SIM card reader. When a separate SIM card is used, hands-free phone calls are possible using the SIM card or by connecting a different mobile telephone via Bluetooth Hands-Free Profile. For mobile phone and software compatibility please visit www.audi.co.uk/phonecompatibility or your Audi Centre.

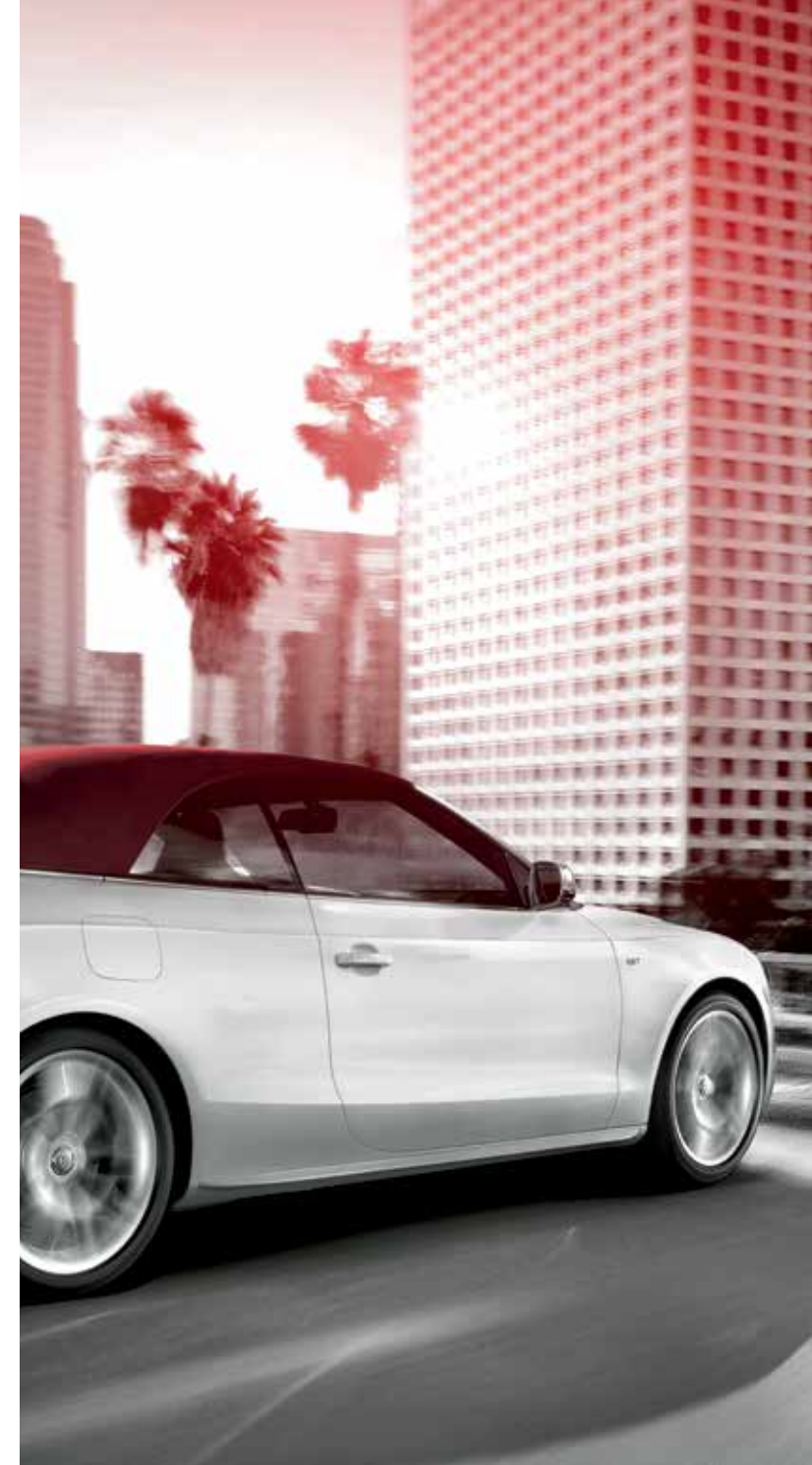
Online services will only be available within the coverage of the mobile phone network; there may be additional costs for the use of these services (charges and billing correspond to the personal mobile phone contract or SIM card contract). Due to high data volumes, a mobile phone contract including an unlimited or high usage data plan is strongly recommended. The content and scope of the online based services offered may vary.

When ordered as an option, a 36-month Audi Connect subscription is provided with your vehicle. The subscription runs from the point of vehicle delivery. Should you wish to continue to use Audi Connect after 36 months, please consult your Audi Centre for details (including the latest subscription fees).

Audi Connect services listed are correct at time of publication. We may add, change, replace or remove individual Audi Connect services or features at any time during your subscription.

Audi Connect enables access to the services of Google and Twitter. Permanent availability cannot be guaranteed as this is the responsibility of Google and Twitter. Google and the Google logo are registered trademarks of Google Inc.

The availability of services supported Audi Connect varies from country to country and is dependent on the capability of your mobile phone. For mobile phone and software compatibility please visit www.audi.co.uk/phonecompatibility or your Audi Centre.



Audi UK

Customer Services
Selectapost 29
Sheffield
S97 3FG
0800 699888
audi.co.uk

Information in this guide is
subject to change without notice.

© Audi UK

Printed in the UK
Edition 6.3 05/16
2017 model year

Images for illustrative purposes only.

