



Book a test drive [▶ Hatchback](#)
[▶ AMG](#)



[▶ Find a Retailer](#)

A-Class

Hatchback and Saloon



Effective from December 2019 Production.

Mercedes-Benz





Contents

6 Standard equipment overview	39 Model prices	75 Genuine Accessories
7 Introducing MBUX	51 Pricing summary for model lines	79 Technical data
8 Mercedes me	53 Colours and materials	100 Road Fund Licence
10 Model lines	60 Wheels	101 Services and insurance
26 Mercedes-AMG model lines	63 Standard equipment	102 Mercedes-Benz Finance
33 Driving Assistance package	68 AMG standard equipment	
38 Mercedes-AMG driver training	74 Optional equipment	



Book a test drive [▶ Hatchback](#)
[▶ AMG](#)



[▶ Find a Retailer](#)



Some of the model features, optional extras and colours shown may not be available, or may only be available in a different specification.



Book a test drive

- > Hatchback
- > AMG



> Find a Retailer





Book a test drive

- > Hatchback
- > AMG



> Find a Retailer



Some of the model features, optional extras and colours shown may not be available, or may only be available in a different specification.



Standard equipment overview



MBUX multimedia system with hard-disk navigation



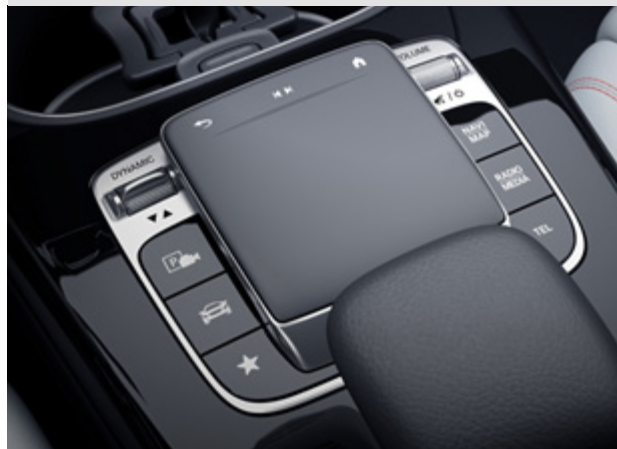
180° reversing camera



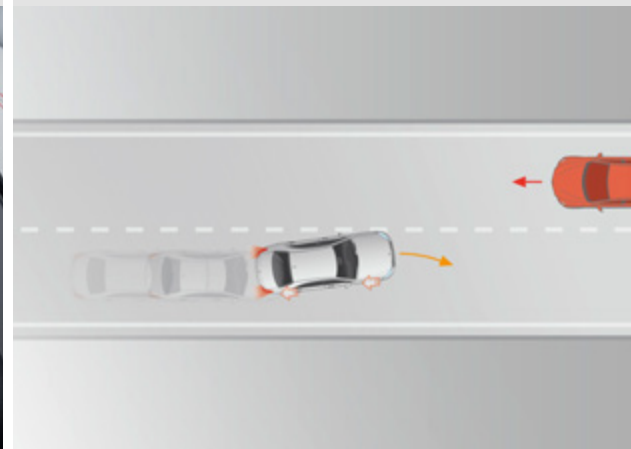
Heated front seats with three settings



7-inch digital instrument display and 7-inch touchscreen media display



Haptic touchpad



Active Lane Keeping Assist, Speed Limit Assist and Active Brake Assist



Introducing MBUX



MBUX multimedia system with DAB digital radio



Multi-gesture touchpad control

Introducing MBUX, the brand new Mercedes-Benz User Experience infotainment system that can be controlled via voice and touch input. The new A-Class was the first model to feature this innovative way of communicating with your Mercedes-Benz.

MBUX (Mercedes-Benz User Experience) infotainment system comprises:

Voice control

- Activated by the keywords “Hey Mercedes”, the new intelligent voice control LINGUATRONIC¹ lets you control many of the infotainment functions, including destination input, phone calls or music selection
- MBUX is able to understand different accents and will adjust to you over time
- MBUX even understands indirect commands. Feeling chilly? Just say “I feel cold” and MBUX will adjust the temperature for you

Personalisation

- Turn the new A-Class into your very own Mercedes-Benz by personalising driving modes, radio stations, ambient lighting and much more
- Your personal settings can be saved in up to seven different profiles, making your driving experience the best one possible
- Thanks to artificial intelligence, MBUX is able to learn and adapt over time. It will be able to predict your personal habits, such as navigation for frequently-driven routes, or the radio station you like to listen to on your way home from work

Touch inputs

- Beside voice control you can operate MBUX via touchscreen, the touchpad on the centre console, as well as touch control buttons on the steering wheel
- The touchpad recognises your handwriting should you wish to enter addresses or phone numbers silently

Maintenance and service

- Wondering when the next service is due? Or how much further you can drive until you need to stop at a petrol station? Just ask your MBUX – it will tell you the answer
-

¹LINGUATRONIC off-board functions are currently only available for three years



Book a test drive

- > Hatchback
- > AMG



> Find a Retailer

Mercedes me connect.

Stay connected, any time, anywhere.

Mercedes me is a range of innovative online services designed to enhance your Mercedes-Benz experience. Accessible via mobile, tablet or PC, Mercedes me lets you enjoy the highest standards of care and support, in a way that integrates seamlessly with your busy lifestyle.



Navigation Services (01U)

Visit the Mercedes me connect store or app for pricing.



Live Traffic Information¹

Your navigation system receives traffic data in real time, enabling it to optimise the dynamic route guidance, minimising drive time and offering more precise estimation of arrival times.



Available parking spaces

Locates parking spaces for you in multi-storey car parks and on the street. Saving you time and hassle.



Local Search

This feature provides support in the local search for restaurants or hotels and much more.



Send2Car

Make your journey easier: set your destination using the Mercedes me app and send it directly to your car's navigation system.

Infotainment

Visit the Mercedes me connect store or app for pricing.



connect Store

In the Mercedes me connect Store you can purchase many digital services designed to make your everyday life easier and provide useful information relating to your networked vehicle.



TIDAL

Love music? Get a 12-month TIDAL HiFi subscription free with Mercedes me connect (worth £240) and unlock access to 58 million songs.



Internet Radio

Listen to podcasts and radio stations from anywhere in the world.



Private Car sharing

Car sharing gives you the opportunity to share your vehicle in a straightforward and safe way with third parties who you authorise.

For more information speak to your local Retailer or visit the Mercedes me connect store at shop.mercedes-benz.com/en-gb/connect

¹Free of charge for first three years. Extension possible, visit the Mercedes me connect store for details on pricing



Book a test drive

- > Hatchback
- > AMG



> Find a Retailer

Mercedes me connect.

Stay connected, any time, anywhere.

Mercedes me is a range of innovative online services designed to enhance your Mercedes-Benz experience. Accessible via mobile, tablet or PC, Mercedes me lets you enjoy the highest standards of care and support, in a way that integrates seamlessly with your busy lifestyle.



Vehicle Set-up (08U)

Pre-installation standard.

Visit the Mercedes me connect store for more information and to activate services.



Remote Vehicle Status

Check safety information, such as coolant level and brake pad condition, so you can be sure your car is safe and ready to drive.



Personalisation

Store your preferences, such as your favourite radio stations and apps, to create your personal driver profile.

Vehicle Monitoring (09U)

Pre-installation standard.

Visit the Mercedes me connect store for more information and to activate services.



Parked Vehicle Locator

Forgot where you parked your car? No problem: you can locate and track your car, with the Parked Vehicle Locator.



Vehicle Tracker

Track the location of your car anywhere in the world.



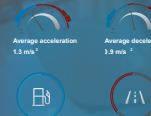
Pre-Entry Climate Control

Programming of charging settings and Pre-Entry Climate Control for plug-in vehicles.



Remote Door Locking/Unlocking

Lock and unlock your car remotely, wherever you are in the world.



ECO Display

Monitor your driving style with ECO Display. It summarises your driving style from the start of the journey to its completion to help you achieve the most economical way to drive.



Geo-fencing

Set up a geographical boundary and receive alerts whenever your car enters or leaves this area.

For more information speak to your local Retailer or visit the Mercedes me connect store at shop.mercedes-benz.com/en-gb/connect



Book a test drive [▶ Hatchback](#)
[▶ AMG](#)



[▶ Find a Retailer](#)

10

A-Class SE (Hatchback only)





Book a test drive [▶ Hatchback](#)
[▶ AMG](#)



[▶ Find a Retailer](#)



Model lines | A-Class SE

11

Standard ARTICO man-made leather/Bertrix fabric (black)



Option shown: digital white metallic paint (code 144U)



The new A-Class redefines the compact class with previously unseen levels of luxury and advanced technology. The dramatic exterior of the A-Class SE features a diamond grille with black pins, a silver-painted louvre and chrome insert – all framed by halogen headlamps with LED daytime running lamps. 16" 5-twin-spoke alloy wheels complement the powerful stance. The interior champions cutting-edge technology with the MBUX infotainment system at

the heart of the innovative cockpit. The coloured turbine-style air vents are equally eye-catching. For your comfort, there is air conditioning and a wealth of features with semi-autonomous driving capabilities. The seats are fitted with black ARTICO man-made leather and Bertrix fabric, while the multifunction sports steering wheel is finished with leather, black topstitching and a black bezel.

Engine, Transmission and Suspension

Cruise Control with Limiter

DYNAMIC SELECT with a choice of driving modes: Eco, Comfort, Sport and Individual

Exterior

16" alloy wheels – 5-twin spoke design, painted vanadium silver

Black weather strip

Diamond grille with pins in black, silver-painted louvre and insert in chrome

Halogen headlamps with integral LED daytime running lamps

Interior

180° reversing camera

Air conditioning – THERMATIC single-zone climate control

Comfort seats – ensure good long-distance comfort; extensively adjustable for length, height and seat surface angle

Heated front seats with three settings

KEYLESS-GO starting function

Luggage nets on driver and front-passenger backrests

Multifunction sports steering wheel in leather, black topstitching and black bezel

Speed-sensitive power steering

Touchpad

Communications, Safety and Assistance Systems

7-inch digital instrument display; 7-inch touchscreen media display

Active Brake Assist – forward collision warning system with autonomous braking intervention

Active Lane Keeping Assist – can warn you by means of steering wheel vibrations if you inadvertently drive over road markings. In situations of danger, the system can also intervene actively by means of one-sided braking and guide you back into your lane

ATTENTION ASSIST – monitors steering behaviour and can help alert you to long journey fatigue

MBUX multimedia system with DAB digital radio

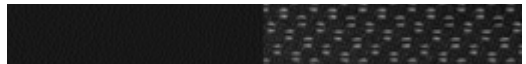
Hard-disk navigation and three years free live traffic information

Speed Limit Assist – detects the speed limit and displays it in the instrument cluster

USB interface in oddments tray and two USB (type C) interfaces in rear of centre console

Trim and Upholstery

ARTICO man-made leather/Bertrix fabric upholstery (black)



Hatchback OTR from **£23,710¹**

¹The recommended on-the-road price includes the Road Fund Licence applicable to the standard model plus delivery charge (£715.00 incl. VAT), new vehicle registration fee (£55.00) and number plates (£25.00 incl. VAT). VAT is calculated at the standard rate of 20%



Book a test drive

> Hatchback

> AMG



> Find a Retailer

A-Class Sport



13

Option shown: digital white metallic paint (code 144U)





The A-Class Sport emphasises its athletic exterior with LED high performance headlamps, 17" 10-spoke alloy wheels, and chrome weather strips. While it's equipped with the same cutting edge technology as the A-Class SE, the A-Class Sport interior reinforces the sporty theme with black ARTICO

man-made leather and Fléron fabric against a dark carbon-fibre look trim. The leather-clad multifunction sports steering wheel features black topstitching and a bezel in silver chrome. To complement the luxurious feel, two-zone automatic climate control is also fitted as standard.

In addition/replacement to SE:

Exterior

17" alloy wheels – 10-spoke design, painted vanadium silver

Chrome weather strip

LED High Performance headlamps with integrated LED daytime running lights

Interior

Air conditioning – THERMOTRONIC luxury automatic climate control, two-zone, with display

Multifunction sports steering wheel in leather, black topstitching and bezel in silver chrome

Trim and Upholstery

Dark carbon fibre look



ARTICO man-made leather/Fléron fabric (black)



Hatchback OTR from **£25,210¹**
 Upgrade price from SE **£1,500**
 Saloon OTR from **£25,805¹**

¹The recommended on-the-road price includes the Road Fund Licence applicable to the standard model plus delivery charge (£715.00 incl. VAT), new vehicle registration fee (£55.00) and number plates (£25.00 incl. VAT). VAT is calculated at the standard rate of 20%

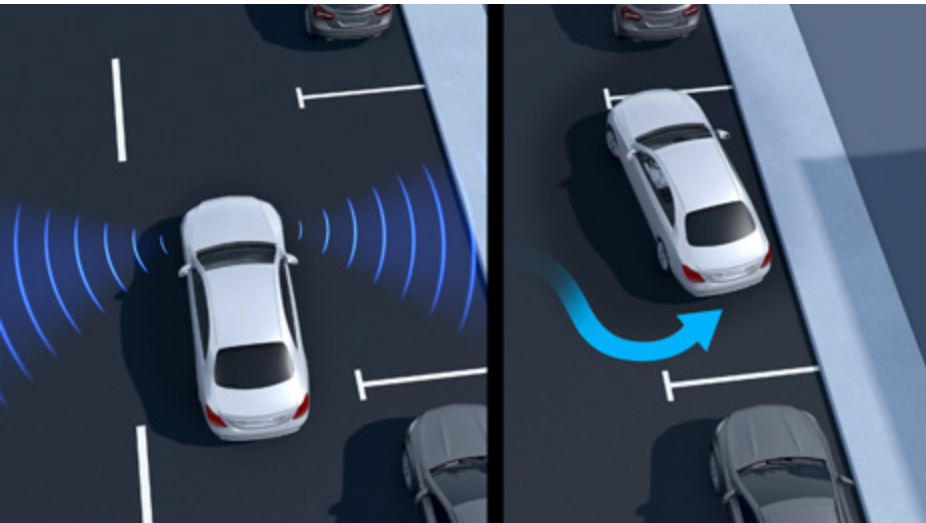


Book a test drive [▶ Hatchback](#)
[▶ AMG](#)



[▶ Find a Retailer](#)

A-Class Sport Executive (Hatchback and Saloon)



Parking package - 180° reversing camera, Active Parking Assist with PARKTRONIC



10.25-inch touchscreen media display



The Sport Executive model line is based on the Sport and comes with that little bit of extra comfort and technology. With the Parking package you will master tight parking spaces effortlessly. Active Parking Assist with PARKTRONIC searches for a suitable parking space and then helps you to park in it, while the 180° reversing camera gives you the overview to the rear. Thanks to the Mirror package, exterior mirrors can be folded

electrically, and the driver's exterior mirror and the rear-view mirror dim automatically. The touch-sensitive 10.25-inch media display networks you with the car and responds to your input. Smartphone integration has never been that easy and, while on the road, compatible smartphones can be charged wirelessly.

In addition/replacement to Sport:

Exterior

Parking package – reversing camera with parking guidelines, 180° view; Active Parking Assist with PARKTRONIC front and rear parking sensors, visual and audible warning of detected obstacles, arrowed display of identified parking spaces in the instrument cluster, assisted manoeuvring into and out of parallel and end-on parking spaces; ultrasonic sensors positioned in front and rear bumpers

Interior

Mirror package – electrically-folding mirrors and automatically-dimming driver's side mirror and rear view mirror

10.25-inch touchscreen media display

Smartphone integration including Apple CarPlay™ and Android Auto™¹

Wireless charging¹

Trim and Upholstery

Dark carbon fibre look



ARTICO man-made leather/Fléron fabric (black)



Hatchback OTR from **£26,710²**

Saloon OTR from **£27,305²**

Upgrade price from Sport **£1,500**

¹Compatible mobile phone required

²The recommended on-the-road price includes the Road Fund Licence applicable to the standard model plus delivery charge (£715.00 incl. VAT), new vehicle registration fee (£55.00) and number plates (£25.00 incl. VAT). VAT is calculated at the standard rate of 20%



Book a test drive

- > Hatchback
- > AMG



> Find a Retailer

A-Class AMG Line



17

Option shown: cosmos black metallic paint (code 191U)



Option shown: digital white metallic paint (code 144U)



Book a test drive > Hatchback
> AMG



> Find a Retailer



Standard ARTICO man-made leather/DINAMICA microfibre (black). Hatchback seats shown above



The AMG Line demonstrates the athletic qualities of the A-Class in typical AMG form: AMG bodystyling includes an AMG front apron with chrome front splitter, AMG side sill panels and an AMG rear apron with chrome trim and visible exhaust tailpipes. The diamond radiator grille is finished with chrome pins and a single silver-painted louvre, while 18" AMG 5-twin spoke

alloy wheels create a powerful stance. The AMG Line features ARTICO man-made leather and DINAMICA microfibre upholstery with door linings clad in DINAMICA microfibre. The 3-spoke nappa leather multifunction sports steering wheel with a flattened bottom section and perforated grip area takes its inspiration from motor racing.

In addition/replacement to Sport:

Exterior

18" AMG alloy wheels – 5-twin-spoke design, painted titanium grey with high-sheen finish

AMG bodystyling consisting of AMG front apron with front splitter in chrome, AMG side sill panels and AMG rear apron with chrome trim and visible exhaust tailpipes

Diamond radiator grille with chrome pins, silver-painted louvre and insert in chrome

Privacy glass – heat-insulating dark-tinted glass with dark tinting on rear window and rear side windows

Interior

Sports seats – optimise lateral support for dynamic driving and at the same time provide comfort for everyday use

Three-spoke multifunction sport steering wheel in nappa leather with flattened bottom section and perforated grip area

Trim and Upholstery

ARTICO man-made leather/DINAMICA microfibre (black) with red contrast stitching



Hatchback OTR from **£26,710¹**

Saloon OTR from **£27,305¹**

Upgrade price from Sport **£1,500**

¹The recommended on-the-road price includes the Road Fund Licence applicable to the standard model plus delivery charge (£715.00 incl. VAT), new vehicle registration fee (£55.00) and number plates (£25.00 incl. VAT). VAT is calculated at the standard rate of 20%



Book a test drive
▶ Hatchback
▶ AMG



▶ Find a Retailer

A-Class AMG Line Executive (Hatchback and Saloon)



Smartphone integration



Wireless charging



Based on the AMG Line, the AMG Line Executive model line is equipped with further comfort and technology features. With the Parking package you will master tight parking spaces effortlessly. Active Parking Assist with PARKTRONIC searches for a suitable parking space and then helps you to park in it, while the 180° reversing camera gives you the overview to the rear. Thanks to the Mirror package, exterior mirrors can be folded

electrically, and the driver's exterior mirror and the rear-view mirror dim automatically. The touch-sensitive 10.25-inch media display networks you with the car and responds to your input. Smartphone integration has never been that easy and, while on the road, compatible smartphones can be charged wirelessly.

In addition/replacement to AMG Line:

Exterior

Parking package – reversing camera with parking guidelines, 180° view; Active Parking Assist with PARKTRONIC front and rear parking sensors, visual and audible warning of detected obstacles, arrowed display of identified parking spaces in the instrument cluster, assisted manoeuvring into and out of parallel and end-on parking spaces; ultrasonic sensors positioned in front and rear bumpers

Interior

Mirror package – electrically-folding mirrors and automatically-dimming driver's side mirror and rear view mirror

10.25-inch touchscreen media display

Smartphone integration including Apple CarPlay™ and Android Auto™¹

Wireless charging¹

Trim and Upholstery

ARTICO man-made leather/DINAMICA microfibre (black) with red contrast stitching



Hatchback OTR from **£28,210²**

Saloon OTR from **£28,805²**

Upgrade price from AMG Line **£1,500**

¹Compatible mobile phone required

²The recommended on-the-road price includes the Road Fund Licence applicable to the standard model plus delivery charge (£715.00 incl. VAT), new vehicle registration fee (£55.00) and number plates (£25.00 incl. VAT). VAT is calculated at the standard rate of 20%



Book a test drive

- > Hatchback
- > AMG



> Find a Retailer

A-Class AMG Line Premium (Hatchback and Saloon)



Ambient lighting incl. 64 colours



Illuminated door sills



KEYLESS-ENTRY



The AMG Line Premium further enhances your A-Class with some practical features and equipment that add to your comfort. Greeted by illuminated ‘Mercedes-Benz’ door sills and a 10.25-inch digital instrument cluster, KEYLESS-ENTRY allows for convenient opening, starting and locking of the car without the need to hold the car key in your hand. Augmented reality for

navigation enables you to find your way in complex traffic situations. Inside, the 64-colour ambient lighting creates fascinating colour schemes showcasing the interior, which includes a rear armrest with two cup holders, while the Mercedes-Benz advanced sound system ensures an outstanding listening experience.

In addition/replacement to AMG Line Executive:

Exterior

KEYLESS-ENTRY (lock/unlock) – chrome insert on door handle. Allows convenient opening, starting and locking of the vehicle – with no need for you to have the key in your hand. With this convenient technology you don’t even need to take the key out of your pocket. All the doors can be opened and locked simply by touching the handle

Interior

10.25-inch digital instrument cluster

Augmented navigation – a camera in the windscreen records the area in front of the vehicle and then superimposes highlighted information in the media display

Front door sills – illuminated, with ‘Mercedes-Benz’ lettering

Interior lighting – ambient lighting in 64 colours: all colours can be selected individually. Eight colour schemes each consist of two colours – the cockpit and the footwell are kept in the same colour, while the centre area of dashboard forms a contrast. The colours are static or slowly replace each other in Dynamic mode to produce a constant change of colour. Special emotively appealing effects: a light show welcomes the driver, and the climate control indicates in colour via the ambient lighting whether a warmer or colder temperature is being set. Adjustable brightness of the LEDs, with 10 levels and three zones: cockpit, front seat area and also entire dimming zone. The internal workings of the air vents are finished in silver chrome and illuminated. Additional illumination of the piping on the dashboard above the trim element and in the doors. Here the coloured piping is replaced by a transparent fibre-optic cable

Mercedes-Benz advanced sound system, 225W – includes a mid-range speaker as the central speaker, one mid-range speaker in each of the front and rear doors as well as one tweeter in each door. For a little bit more bass a subwoofer bass box is installed in the rear, including a separate amplifier

Rear armrest with two cup holders

Trim and Upholstery

Light longitudinal-grain aluminium



ARTICO man-made leather/DINAMICA microfibre (black) with red contrast stitching



Hatchback OTR from **£29,710¹**

Saloon OTR from **£30,305¹**

Upgrade price from AMG Line Executive **£1,500**

¹The recommended on-the-road price includes the Road Fund Licence applicable to the standard model plus delivery charge (£715.00 incl. VAT), new vehicle registration fee (£55.00) and number plates (£25.00 incl. VAT). VAT is calculated at the standard rate of 20%



Book a test drive

- > Hatchback
- > AMG



> Find a Retailer

A-Class AMG Line Premium Plus (Hatchback and Saloon)



MULTIBEAM LEDs with Adaptive Highbeam Assist Plus



Electrically-adjustable front seats



Panoramic glass sunroof



If you can't get enough of pioneering technology and comfort, this car is your answer. The AMG Line Premium Plus comes with all the stunning characteristics of the AMG Line Premium and more: take the MULTIBEAM LED headlamps with Adaptive Highbeam Assist Plus or the panoramic

glass sunroof for a bright and airy feel. Inside, you're in for a treat: electrically-adjustable front memory seats including lumbar support come as standard. Meanwhile, Traffic Sign Assist adds to the effortless driving experience.

In addition/replacement to AMG Line Premium:

Exterior

MULTIBEAM LED headlamps with Adaptive Highbeam Assist Plus – 84 individually-controllable high-performance LEDs per module; active light function; adaptive all-LED tail lights; Adaptive Highbeam Assist Plus; cornering light function; enhanced fog light function, city light, country mode, motorway mode and adverse weather light; LED dipped-beam and main-beam headlamps; ULTRA RANGE Highbeam with 650 m range

Panoramic glass sunroof – includes tilt position which adapts to vehicle speed in three stages and has convenience closing and automatic rain-sensor closing

Interior

Electrically-adjustable front memory seats with lumbar support. Lumbar support with four settings: higher, lower weaker or stronger. The memory programming includes all seat adjustment functions such as seat height and fore-and-aft position, seat cushion angle and seat backrest inclination

Traffic Sign Assist – a camera scans speed limit signs, so navigation data always displays the current limit

Trim and Upholstery

Light longitudinal-grain aluminium



ARTICO man-made leather/DINAMICA microfibre (black) with red contrast stitching



Hatchback OTR from **£31,210¹**

Saloon OTR from **£31,805¹**

Upgrade price from AMG Line Premium **£1,500**

¹The recommended on-the-road price includes the Road Fund Licence applicable to the standard model plus delivery charge (£715.00 incl. VAT), new vehicle registration fee (£55.00) and number plates (£25.00 incl. VAT). VAT is calculated at the standard rate of 20%



Book a test drive > Hatchback
> AMG



> Find a Retailer

Mercedes-AMG A 35 4MATIC

26



Option shown: digital white metallic paint (code 144U)



Option shown: digital white metallic paint (code 144U)



Book a test drive

- > Hatchback
- > AMG



> Find a Retailer



7-inch digital instrument display and a 10.25-inch touchscreen media display



Model lines | Mercedes-AMG A35 4MATIC

27

Option shown: digital white metallic paint (code 144U)



Option shown: digital white metallic paint (code 144U)



Option shown: digital white metallic paint (code 144U)



Sporty, emotional and with enormous driving pleasure: the Mercedes-AMG A 35 4MATIC really stands out. Equipped with 18" AMG 5-twin-spoke bicolour alloy wheels, AMG bodystyling all round, AMG radiator grille and privacy glass, this model truly is an eye-catcher. DYNAMIC SELECT – with a choice of different driving modes – adds to the energetic feel.

Just as impressive as the exterior, the stylish interior is defined by sport seats in leather and an AMG Performance steering wheel in nappa leather. KEYLESS-GO starting function and THERMOTRONIC dual-zone climate control as well as a Mirror package all come as standard equipment.

Engine, Transmission and Suspension

DYNAMIC SELECT with driving modes Slippery, Comfort, Sport, Sport+ and Individual

Exterior

18" AMG alloy wheels – 5-twin-spoke design, bicolour

AMG bodystyling including AMG front apron with flics on the air intakes, rear apron with a diffuser insert, front splitter, two round tailpipes, silver chrome trims on louvres in the outer air intakes, and chrome beltline and weather strip

AMG radiator grille with twin-blade lamella

Exhaust system featuring automatically-controlled exhaust flap

LED High Performance headlamps

Privacy glass – heat-insulating dark-tinted glass with dark tinting on rear window and rear side windows

Wider wheel arches for AMG wheels

Interior

Mirror package – electrically-folding mirrors and automatically-dimming driver's side mirror and rear view mirror

AMG Performance steering wheel in nappa leather

Heated front seats with three settings

KEYLESS-GO starting function

Sports seats – optimise lateral support for dynamic driving and at the same time provide comfort for everyday use

THERMOTRONIC dual-zone climate control

Communications, Safety and Assistance Systems

Parking package – 180° reversing camera, Active Parking Assist with PARKTRONIC

7-inch digital instrument cluster with three AMG display styles and AMG menu

10.25-inch touchscreen media display

Active Brake Assist, Speed Limit Assist, Active Lane Keeping Assist and ATTENTION ASSIST

Hard-disk navigation and three years free live traffic information

MBUX multimedia system with DAB digital radio

Smartphone integration and wireless charging¹

Touchpad

USB interface in oddments tray and two USB (type C) interfaces in centre console

Trim and Upholstery

Light longitudinal-grain aluminium



Black leather



Hatchback OTR from **£38,020²**

Saloon OTR from **£38,615²**

¹Compatible mobile phone required

²The recommended on-the-road price includes the Road Fund Licence applicable to the standard model plus delivery charge (£715.00 incl. VAT), new vehicle registration fee (£55.00) and number plates (£25.00 incl. VAT). VAT is calculated at the standard rate of 20%



Book a test drive [▶ Hatchback](#)
[▶ AMG](#)



[▶ Find a Retailer](#)

29

Mercedes-AMG A 35 4MATIC Premium (Hatchback and Saloon)



Ambient lighting incl. 64 colours



19" AMG multi-spoke wheels painted high-gloss black with a high-shine finish



The Mercedes-AMG 35 4MATIC Premium adds a range of additional features such as the KEYLESS-ENTRY lock and unlock function, ambient lighting, as well as the Mercedes-Benz advanced sound system and a 10.25-inch digital

instrument display. The Night package, combined with 19" AMG black-painted multi-spoke alloy wheels, creates a powerful appearance.

In addition/replacement to Mercedes-AMG A 35 4MATIC:

Exterior

Night package – features of the car are coloured in high-gloss black such as, front splitter and trim on the louvres in the outer air intakes, AMG side sill panels with inserts, beltline trim strip and window line trim strip, exterior mirror housing, and chrome-plated tailpipe trim elements in black

19" AMG multi-spoke wheels painted high-gloss black with a high-sheen finish

KEYLESS-ENTRY (lock/unlock) – chrome insert on door handle. Allows convenient opening, starting and locking of the vehicle – with no need for you to have the key in your hand. With this convenient technology you don't even need to take the key out of your pocket. All the doors can be opened and locked simply by touching the handle

Interior

10.25-inch digital instrument cluster

Ambient lighting incl. 64 colours

Front door sills – illuminated, with 'Mercedes-Benz' lettering

MBUX augmented reality for navigation – a camera in the windscreen produces a live feed on the media display. Superimposed highlighted information facilitates orientation at the destination

Mercedes-Benz advanced sound system, 225W – includes a mid-range speaker as the central speaker, one mid-range speaker in each of the front and rear doors as well as one tweeter in each door. For a little bit more bass a subwoofer bass box is installed in the rear, including a separate amplifier

Rear armrest with two cup holders

Trim and Upholstery

Light longitudinal-grain aluminium



Black leather



Hatchback OTR from **£40,520¹**

Saloon OTR from **£41,115¹**

Upgrade price from A 35 4MATIC **£2,500**

¹The recommended on-the-road price includes the Road Fund Licence applicable to the standard model plus delivery charge (£715.00 incl. VAT), new vehicle registration fee (£55.00) and number plates (£25.00 incl. VAT). VAT is calculated at the standard rate of 20%



Book a test drive [▶ Hatchback](#)
[▶ AMG](#)



[▶ Find a Retailer](#)

31

Mercedes-AMG A 35 4MATIC Premium Plus (Hatchback and Saloon)



Electrically-adjustable front seats



Panoramic glass sunroof



Can it get even better? Yes, it can. The Mercedes-AMG A 35 4MATIC Premium Plus comes with the same features as the Premium and more. The model is equipped with 19" AMG multi-spoke alloy wheels painted matt black with a high-sheen finish, and the suspension comes with Adaptive Damping

system. Beside a panoramic glass sunroof, electrically-adjustable front memory seats and MULTIBEAM LED headlamps with Adaptive High Beam Assist Plus, you get the AMG Aerodynamic package, Traffic Sign Assist and the Burmester® surround sound system.

In addition/replacement to Mercedes-AMG A 35 4MATIC Premium:

Engine, Transmission and Suspension

Suspension with Adaptive Damping system – shock courses for the springs shortened by 15 mm. The car visually presses itself even closer to the road surface

Exterior

AMG Aerodynamic package – modified front splitter, additional flics on front apron, additional diffuser blade, side spoiler lips on rear apron and rear spoiler

19" AMG multi-spoke alloy wheels painted matt black with a high-sheen finish

MULTIBEAM LED headlamps with Adaptive Highbeam Assist Plus – 84 individually-controllable high-performance LEDs per module; active light function; adaptive all-LED tail lights; Adaptive Highbeam Assist Plus; cornering light function; enhanced fog light function, city light, country mode, motorway mode and adverse weather light; LED dipped-beam and mainbeam headlamps; ULTRA RANGE Highbeam with 650 m range

Panoramic glass sunroof – includes tilt position which adapts to vehicle speed in three stages and has convenience closing and automatic rain-sensor closing

Interior

Burmester® surround sound system – premium mid-range central speaker; one premium mid-range speaker in each door; one premium tweeter in each front door mirror triangle and each rear door; two mid-range surround speakers in C-pillars or parcel shelf; one subwoofer in the rear

Electrically-adjustable front memory seats with lumbar support. Lumbar support with four settings: higher, lower weaker or stronger. The memory programming includes all seat adjustment functions such as seat height and fore-and-aft position, seat cushion angle and seat backrest inclination

Traffic Sign Assist – a camera scans speed limit signs, so navigation data always displays the current limit

Trim and Upholstery

Light longitudinal-grain aluminium



Black leather



Hatchback OTR from **£44,020¹**

Saloon OTR from **£44,615¹**

Upgrade price from A 35 4MATIC Premium **£3,500**

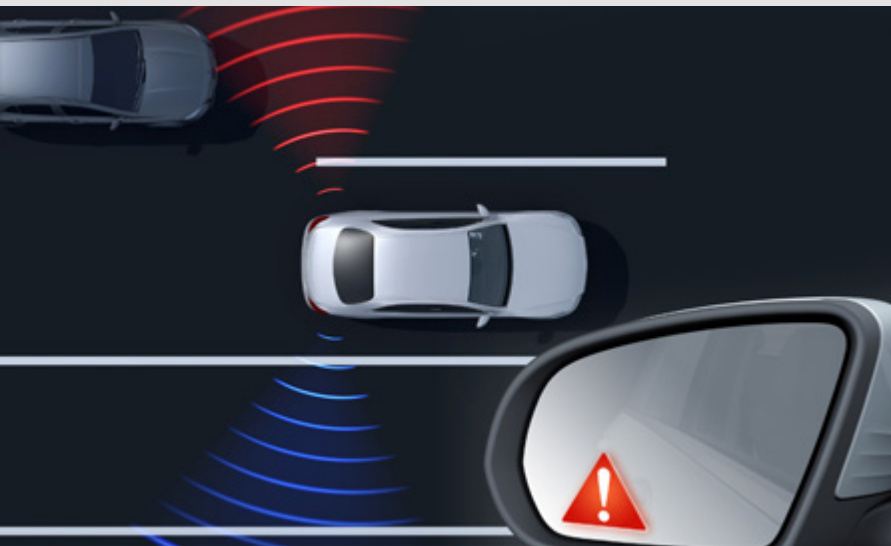
¹The recommended on-the-road price includes the Road Fund Licence applicable to the standard model plus delivery charge (£715.00 incl. VAT), new vehicle registration fee (£55.00) and number plates (£25.00 incl. VAT). VAT is calculated at the standard rate of 20%



Driving Assistance package



Active Distance Assist DISTRONIC



Active Steering Assist

The Driving Assistance package contains a range of highly intelligent features to help you stay safe on the road – by making the drive more effortless, by warning of danger, and by taking steps to protect you in an emergency.

Driving Assistance package (code 23P) – designed and priced as a package, including items listed below.

AMG Line Premium Plus and Mercedes-AMG A 35 Premium Plus only **Total incl. VAT £1,495.00**

Automatic transmission only

Driving Assistance package comprises:

Active Blind Spot Assist can warn the driver of vehicles in the blind spot during a lane change and can help to avoid a collision by means of one-sided braking intervention

Active Braking Assist with cross-traffic function can help to avoid accidents with vehicles ahead, crossing traffic and also pedestrians, and/or mitigate their consequences

Active Distance Assist DISTRONIC helps maintain the desired distance from the vehicle in front

Active Emergency Stop Assist: immediate emergency braking if evasion is impossible

Active Lane Changing Assist aids the driver with changing lanes by means of steering torque as soon as the driver initiates the change by activating the direction indicator

Active Speed Limit Assist ensures detected speed limits are automatically adopted as the set speed for Active Distance Assist DISTRONIC

Active Steering Assist: targeted steering intervention to prevent unintentional drifting out of lane

Evasive Steering Assist can support the driver in making evasive manoeuvres if, in a dangerous situation, he/she moves to avoid any pedestrian detected by the system

PRE-SAFE® PLUS: when a rear-end collision threatens, PRE-SAFE® PLUS can initiate preventive measures, including warning following traffic and locking the brakes on standstill

Route-based speed adjustment: adaption of speed before curves, roundabouts and junctions



Book a test drive [▶ Hatchback](#)
[▶ AMG](#)



[▶ Find a Retailer](#)

Mercedes-AMG A 45 S 4MATIC+ (Hatchback)





Outstanding performance and expressive design – the new Mercedes-AMG A 45 S 4MATIC+ raises the level of sporty driving experience in the compact class. The new performance car features AMG suspension as well as AMG DYNAMIC SELECT including a range of six driving modes.

The exterior oozes pure power, from the 19" AMG alloy wheels with red-painted brake calipers to the AMG-specific radiator grille with vertical louvres and power domes in the bonnet. Fitted with the AMG Drive Unit including AMG TRACK PACE, you can record your lap times on the racetrack.

In addition/replacement to Mercedes-AMG A 35 4MATIC Premium:

Engine, Transmission and Suspension

AMG DYNAMIC SELECT with driving modes Slippery, Comfort, Sport, Sport+, Individual and RACE; AMG DYNAMIC PLUS including Drift mode

AMG suspension

Exterior

Night package – design features in high-gloss black

19" AMG alloy wheels – 5-twin-spoke design

AMG high-performance brake system with red-painted brake calipers and black AMG lettering at the front; ventilated and perforated brake discs

AMG-specific radiator grille with wider lower contour and 12 vertical louvres

Diffuser with two vertical twin fins

Front apron with horizontal fins in outer air inlets and stretched lower air inlet

Power domes in bonnet

Twin round 90 mm wide tailpipes (2) with internal fluting, 'AMG' lettering and wide rear apron

Wider front wings with flared wheel arches and 'TURBO 4MATIC+' lettering; wider AMG side skirts

Interior

Mirror package – electrically-folding exterior mirrors and automatically-dimming driver's side mirror and rear-view mirror

Parking package – incl. reversing camera 180° view with Active Parking Assist with PARKTRONIC, front and rear parking sensors

AMG Drive Unit with Driver's package

AMG Performance seats

AMG Performance steering wheel in nappa leather/DINAMICA microfibre with AMG buttons

AMG TRACK PACE – stores individual laps and sprints in the vehicle database. You can determine a reference time and compare your current drive with it

Heated front seats with three settings

Rear armrest with two cup holders

Communications, Safety and Assistance Systems

10.25-inch touchscreen media display and 10.25-inch digital instrument display

Ambient lighting incl. 64 colours

MBUX augmented reality for navigation – a camera in the windscreen produces a live feed on the media display. Superimposed highlighted information facilitates orientation at the destination

Mercedes-Benz advanced sound system, 225 W

Smartphone integration with wireless charging¹

Trim and Upholstery

Light longitudinal-grain aluminium



ARTICO man-made leather/DINAMICA microfibre – black/yellow



Hatchback OTR from **£50,570²**

¹Compatible mobile phone required

²The recommended on-the-road price includes the Road Fund Licence applicable to the standard model plus delivery charge (£715.00 incl. VAT), new vehicle registration fee (£55.00) and number plates (£25.00 incl. VAT). VAT is calculated at the standard rate of 20%



Book a test drive

- > Hatchback
- > AMG



> Find a Retailer

Mercedes-AMG A 45 S 4MATIC+ Plus (Hatchback)



36





If you can't get enough of the A-Class, opt for the Mercedes-AMG A45 S 4MATIC+ Plus. It truly raises you to the next level with the AMG Aerodynamic package, which includes a modified front splitter as well as additional flics on the front apron, side spoiler lips on the rear apron and rear spoiler, and an additional diffuser blade. The exterior features 19" cross-spoke forged alloy

wheels, MULTIBEAM LED headlamps with Adaptive Highbeam Assist Plus and a panoramic glass sunroof. Inside you'll find high-end AMG Performance seats in leather, as well as electrically-adjustable front memory seats including lumbar support. The Burmester® surround sound system ensures an unrivalled listening experience.

In addition/replacement to Mercedes-AMG A45 S 4MATIC+:

Engine, Transmission and Suspension

Suspension with Adaptive Damping system – shock courses for the springs shortened by 15 mm. The car visually presses itself even closer to the road surface

Exterior

AMG Aerodynamic package – modified front splitter, additional flics on front apron, additional diffuser blade, side spoiler lips on rear apron and rear spoiler

19" AMG forged alloy wheels – cross-spoke design

MULTIBEAM LED headlamps with Adaptive Highbeam Assist Plus

Panoramic sunroof – with electronic roller sun blind. Includes tilt position which adapts to vehicle speed in three stages and has convenience closing and automatic rain-sensor closing

Interior

AMG Leather package

AMG Performance Seat High-End package

Multi-Contour Seat package – multi-contour seats with inflatable air chambers in the lower backrest and in the side bolsters

– Massage effect in the lumbar region through pulsating air chambers in the lumbar support

– Electrically-adjustable lumbar support provides additional support for the spine

– Recommended by the AGR, a German spinal health organisation

Electrically adjustable front memory seats including lumbar support

Communications, Safety and Assistance Systems

Blind Spot Assist – two radar sensors monitor the blind spot: a red triangle in the exterior mirror warns of detected road users

Burmester® surround sound system – premium mid-range central speaker; one premium mid-range speaker in each door; one premium tweeter in each front door mirror triangle and each rear door; two mid-range surround speakers in C-pillars or parcel shelf; one subwoofer in the rear

Exit Warning Function

Traffic Sign Assist – a camera scans speed limit signs, so navigation data always displays the current limit

Trim and Upholstery

Light longitudinal-grain aluminium



Two-tone leather – titanium grey pearl/black with yellow



Hatchback OTR from **£56,570¹**
Upgrade price from A45 S 4MATIC+ **£6,000**

¹The recommended on-the-road price includes the Road Fund Licence applicable to the standard model plus delivery charge (£715.00 incl. VAT), new vehicle registration fee (£55.00) and number plates (£25.00 incl. VAT). VAT is calculated at the standard rate of 20%



Book a test drive

- ▶ Hatchback
- ▶ AMG



▶ Find a Retailer

Become the AMG expert

Unleash a new level of performance.

All Mercedes-AMG customers are invited to a complimentary adrenaline-packed driving experience, under the guidance of our driving specialists at Mercedes-Benz World.



Discover AMG at Mercedes-Benz World

- Individually tailored to your ability
- No previous track experience necessary
- See how well an AMG performs when pushed to its limits
- Put your theoretical driving knowledge to the test on a real track
- Understand the cause and effect of understeer, oversteer drift, collision avoidance and track etiquette
- Get to grips with the Mercedes-Benz World's purpose-built track and dynamic driving facilities

TERMS AND CONDITIONS

The following customers only are eligible: the first purchaser/registered keeper of a newly registered Mercedes-AMG. The complimentary Training as described in the brochure must be booked and taken within six months of delivery of your Mercedes-AMG. The Training is available Monday to Friday and is subject to availability. Requests for Saturday and Sunday will incur an additional charge. Upgrades are available for an additional cost: details upon request. Transferable to individuals who reside at the same postal address only. Mercedes-Benz Cars UK Limited reserves the right to amend or withdraw this Training experience. Attendees must hold a full UK driving licence. Attendees will be required to sign the Mercedes-Benz World Driving Risk Acknowledgement prior to undertaking the Training experience. The Training experience is also subject to the Mercedes-Benz World Terms and Conditions, as applicable. Invitation is emailed to the customer post-delivery. Permission via the customer contact preferences must be given to enable Mercedes-Benz World to contact. Retailer demonstrator vehicles are not eligible.



Model prices – Hatchback

Model line	Engine	Transmission	CO ₂ ^{1,*}	Basic RRP excl. VAT (£)	Total RRP incl. VAT (£)	Road Fund Licence (£) ²	Rec. OTR price (£) ³	P11D value (£)	BiK tax rate 2020/21 (%) ²
SE	A 180 d Diesel – 1,461 cc, 4-cylinder, 116 hp/85 kW	6-speed manual	106	20,079.17	24,095.00	170.00	25,060.00	24,835.00	30
		7G-DCT 7-speed automatic	101	21,412.50	25,695.00	170.00	26,660.00	26,435.00	29
	A 180 Petrol – 1,332 cc, 4-cylinder, 136 hp/100 kW	6-speed manual	121	18,954.17	22,745.00	170.00	23,710.00	23,485.00	29
		7G-DCT 7-speed automatic	121	20,287.50	24,345.00	170.00	25,310.00	25,085.00	29
Sport	A 180 d Diesel – 1,461 cc, 4-cylinder, 116 hp/85 kW	6-speed manual	106	21,329.17	25,595.00	170.00	26,560.00	26,335.00	30
		7G-DCT 7-speed automatic	101	22,662.50	27,195.00	170.00	28,160.00	27,935.00	29
	A 200 d Diesel – 1,950 cc, 4-cylinder, 150 hp/110 kW	8G-DCT 8-speed automatic	107	23,745.83	28,495.00	150.00	29,440.00	29,235.00	26
	A 180 Petrol – 1,332 cc, 4-cylinder, 136 hp/100 kW	6-speed manual	121	20,204.17	24,245.00	170.00	25,210.00	24,985.00	29
		7G-DCT 7-speed automatic	121	21,537.50	25,845.00	170.00	26,810.00	26,585.00	29
	A 200 Petrol – 1,332 cc, 4-cylinder, 163 hp/120 kW	6-speed manual	122	21,495.83	25,795.00	170.00	26,760.00	26,535.00	29
7G-DCT 7-speed automatic		120	22,829.17	27,395.00	170.00	28,360.00	28,135.00	29	

¹The indicated values were determined according to the prescribed measurement method – Worldwide Harmonised Light Vehicle Test Procedure (WLTP). Figures shown may include options which are not available in the UK.

For Plug-in Hybrid Electric Vehicle (PHEV) figures determined with the battery fully charged, using a combination of both battery power and fuel. These models require mains electricity for charging

*CO₂ figures have been converted into NEDC-equivalent values for use with the current VED and BiK tax legislation

Figures shown are for comparability purposes; only compare with other cars tested to the same technical procedures. Figures may not reflect real life driving results, which will depend upon a number of factors including factory-fitted options, accessories fitted (post registration), variations in weather, driving styles and vehicle load. Further information about the test used to establish fuel consumption and CO₂ figures can be found at <http://www.mercedes-benz.co.uk/WLTP>

²A 200 d and A 220 d Hatchback engines are RDE (Real Driving Emissions) Step 2 Certified (Euro 6d). This results in a lower VED and BiK rate as these engines will not be subject to the diesel surcharge. A different first year rate of Vehicle Excise Duty (Road Fund Licence) applies for new cars. Please refer to page 100 for the relevant rate for the second and subsequent years

³The recommended on-the-road price includes the Road Fund Licence applicable to the standard model plus delivery charge (£715.00 incl. VAT), new vehicle registration fee (£55.00) and number plates (£25.00 incl. VAT). VAT is calculated at the standard rate of 20%



Model line	Engine	Transmission	CO ₂ ^{1,*}	Basic RRP excl. VAT (£)	Total RRP incl. VAT (£)	Road Fund Licence (£) ²	Rec. OTR price (£) ³	P11D value (£)	BiK tax rate 2020/21 (%) ²
Sport Executive	A 180 d Diesel – 1,461 cc, 4-cylinder, 116 hp/85 kW	6-speed manual	106	22,579.17	27,095.00	170.00	28,060.00	27,835.00	30
		7G-DCT 7-speed automatic	101	23,912.50	28,695.00	170.00	29,660.00	29,435.00	29
	A 200 d Diesel – 1,950 cc, 4-cylinder, 150 hp/110 kW	8G-DCT 8-speed automatic	107	24,995.83	29,995.00	150.00	30,940.00	30,735.00	26
	A 180 Petrol – 1,332 cc, 4-cylinder, 136 hp/100 kW	6-speed manual	121	21,454.17	25,745.00	170.00	26,710.00	26,485.00	29
		7G-DCT 7-speed automatic	121	22,787.50	27,345.00	170.00	28,310.00	28,085.00	29
	A 200 Petrol – 1,332 cc, 4-cylinder, 163 hp/120 kW	6-speed manual	122	22,745.83	27,295.00	170.00	28,260.00	28,035.00	29
	7G-DCT 7-speed automatic	120	24,079.17	28,895.00	170.00	29,860.00	29,635.00	29	
AMG Line	A 180 d Diesel – 1,461 cc, 4-cylinder, 116 hp/85 kW	6-speed manual	106	22,579.17	27,095.00	170.00	28,060.00	27,835.00	30
		7G-DCT 7-speed automatic	101	23,912.50	28,695.00	170.00	29,660.00	29,435.00	29
	A 200 d Diesel – 1,950 cc, 4-cylinder, 150 hp/110 kW	8G-DCT 8-speed automatic	107	24,995.83	29,995.00	150.00	30,940.00	30,735.00	26
	A 220 d Diesel – 1,950 cc, 4-cylinder, 190 hp/140 kW	8G-DCT 8-speed automatic	111	26,287.50	31,545.00	170.00	32,510.00	32,285.00	27

¹The indicated values were determined according to the prescribed measurement method – Worldwide Harmonised Light Vehicle Test Procedure (WLTP). Figures shown may include options which are not available in the UK.

For Plug-in Hybrid Electric Vehicle (PHEV) figures determined with the battery fully charged, using a combination of both battery power and fuel. These models require mains electricity for charging

*CO₂ figures have been converted into NEDC-equivalent values for use with the current VED and BiK tax legislation

Figures shown are for comparability purposes; only compare with other cars tested to the same technical procedures. Figures may not reflect real life driving results, which will depend upon a number of factors including factory-fitted options, accessories fitted (post registration), variations in weather, driving styles and vehicle load. Further information about the test used to establish fuel consumption and CO₂ figures can be found at <http://www.mercedes-benz.co.uk/WLTP>

²A 200 d and A 220 d Hatchback engines are RDE (Real Driving Emissions) Step 2 Certified (Euro 6d). This results in a lower VED and BiK rate as these engines will not be subject to the diesel surcharge. A different first year rate of Vehicle Excise Duty (Road Fund Licence) applies for new cars. Please refer to page 100 for the relevant rate for the second and subsequent years

³The recommended on-the-road price includes the Road Fund Licence applicable to the standard model plus delivery charge (£715.00 incl. VAT), new vehicle registration fee (£55.00) and number plates (£25.00 incl. VAT). VAT is calculated at the standard rate of 20%



Model line	Engine	Transmission	CO ₂ ^{1,*}	Basic RRP excl. VAT (£)	Total RRP incl. VAT (£)	Road Fund Licence (£) ²	Rec. OTR price (£) ³	P11D value (£)	BiK tax rate 2020/21 (%) ²
AMG Line	A 180 Petrol – 1,332 cc, 4-cylinder, 136 hp/100 kW	6-speed manual	121	21,454.17	25,745.00	170.00	26,710.00	26,485.00	29
		7G-DCT 7-speed automatic	121	22,787.50	27,345.00	170.00	28,310.00	28,085.00	29
	A 200 Petrol – 1,332 cc, 4-cylinder, 163 hp/120 kW	6-speed manual	122	22,745.83	27,295.00	170.00	28,260.00	28,035.00	29
		7G-DCT 7-speed automatic	120	24,079.17	28,895.00	170.00	29,860.00	29,635.00	29
	A 250 Petrol – 1,991 cc, 4-cylinder, 224 hp/165 kW	7G-DCT 7-speed automatic	136	25,329.17	30,395.00	210.00	31,400.00	31,135.00	32
AMG Line Executive	A 250 e Petrol – 1,332 cc, 4-cylinder, 160 hp/118 kW Electric motor – 102 hp/75 kW	8G-DCT 8-speed automatic	32	26,820.83	32,185.00	0.00	32,980.00	32,925.00	8
		A 180 d Diesel – 1,461 cc, 4-cylinder, 116 hp/85 kW	6-speed manual	106	23,829.17	28,595.00	170.00	29,560.00	29,335.00
	A 200 d Diesel – 1,950 cc, 4-cylinder, 150 hp/110 kW	7G-DCT 7-speed automatic	101	25,162.50	30,195.00	170.00	31,160.00	30,935.00	29
		8G-DCT 8-speed automatic	107	26,245.83	31,495.00	150.00	32,440.00	32,235.00	26
A 220 d Diesel – 1,950 cc, 4-cylinder, 190 hp/140 kW	8G-DCT 8-speed automatic	111	27,537.50	33,045.00	170.00	34,010.00	33,785.00	27	

¹The indicated values were determined according to the prescribed measurement method – Worldwide Harmonised Light Vehicle Test Procedure (WLTP). Figures shown may include options which are not available in the UK.

For Plug-in Hybrid Electric Vehicle (PHEV) figures determined with the battery fully charged, using a combination of both battery power and fuel. These models require mains electricity for charging

* CO₂ figures have been converted into NEDC-equivalent values for use with the current VED and BiK tax legislation

Figures shown are for comparability purposes; only compare with other cars tested to the same technical procedures. Figures may not reflect real life driving results, which will depend upon a number of factors including factory-fitted options, accessories fitted (post registration), variations in weather, driving styles and vehicle load. Further information about the test used to establish fuel consumption and CO₂ figures can be found at <http://www.mercedes-benz.co.uk/WLTP>

²A 200 d and A 220 d Hatchback engines are RDE (Real Driving Emissions) Step 2 Certified (Euro 6d). This results in a lower VED and BiK rate as these engines will not be subject to the diesel surcharge. A different first year rate of Vehicle Excise Duty (Road Fund Licence) applies for new cars. Please refer to page 100 for the relevant rate for the second and subsequent years

³The recommended on-the-road price includes the Road Fund Licence applicable to the standard model plus delivery charge (£715.00 incl. VAT), new vehicle registration fee (£55.00) and number plates (£25.00 incl. VAT). VAT is calculated at the standard rate of 20%



Model line	Engine	Transmission	CO ₂ ^{1,*}	Basic RRP excl. VAT (£)	Total RRP incl. VAT (£)	Road Fund Licence (£) ²	Rec. OTR price (£) ³	P11D value (£)	BiK tax rate 2020/21 (%) ²
AMG Line Executive	A 180 Petrol – 1,332 cc, 4-cylinder, 136 hp/100 kW	6-speed manual	121	22,704.17	27,245.00	170.00	28,210.00	27,985.00	29
		7G-DCT 7-speed automatic	121	24,037.50	28,845.00	170.00	29,810.00	29,585.00	29
	A 200 Petrol – 1,332 cc, 4-cylinder, 163 hp/120 kW	6-speed manual	122	23,995.83	28,795.00	170.00	29,760.00	29,535.00	29
		7G-DCT 7-speed automatic	120	25,329.17	30,395.00	170.00	31,360.00	31,135.00	29
	A 250 Petrol – 1,991 cc, 4-cylinder, 224 hp/165 kW	7G-DCT 7-speed automatic	136	26,579.17	31,895.00	210.00	32,900.00	32,635.00	32
A 250 e Petrol – 1,332 cc, 4-cylinder, 160 hp/118 kW Electric motor – 102 hp/75 kW	8G-DCT 8-speed automatic	32	28,070.83	33,685.00	0.00	34,480.00	34,425.00	8	
AMG Line Premium	A 180 d Diesel – 1,461 cc, 4-cylinder, 116 hp/85 kW	6-speed manual	106	25,079.17	30,095.00	170.00	31,060.00	30,835.00	30
		7G-DCT 7-speed automatic	101	26,412.50	31,695.00	170.00	32,660.00	32,435.00	29
	A 200 d Diesel – 1,950 cc, 4-cylinder, 150 hp/110 kW	8G-DCT 8-speed automatic	107	27,495.83	32,995.00	150.00	33,940.00	33,735.00	26
	A 220 d Diesel – 1,950 cc, 4-cylinder, 190 hp/140 kW	8G-DCT 8-speed automatic	111	28,787.50	34,545.00	170.00	35,510.00	35,285.00	27

¹The indicated values were determined according to the prescribed measurement method – Worldwide Harmonised Light Vehicle Test Procedure (WLTP). Figures shown may include options which are not available in the UK.

For Plug-in Hybrid Electric Vehicle (PHEV) figures determined with the battery fully charged, using a combination of both battery power and fuel. These models require mains electricity for charging

* CO₂ figures have been converted into NEDC-equivalent values for use with the current VED and BiK tax legislation

Figures shown are for comparability purposes; only compare with other cars tested to the same technical procedures. Figures may not reflect real life driving results, which will depend upon a number of factors including factory-fitted options, accessories fitted (post registration), variations in weather, driving styles and vehicle load. Further information about the test used to establish fuel consumption and CO₂ figures can be found at <http://www.mercedes-benz.co.uk/WLTP>

²A 200 d and A 220 d Hatchback engines are RDE (Real Driving Emissions) Step 2 Certified (Euro 6d). This results in a lower VED and BiK rate as these engines will not be subject to the diesel surcharge. A different first year rate of Vehicle Excise Duty (Road Fund Licence) applies for new cars. Please refer to page 100 for the relevant rate for the second and subsequent years

³The recommended on-the-road price includes the Road Fund Licence applicable to the standard model plus delivery charge (£715.00 incl. VAT), new vehicle registration fee (£55.00) and number plates (£25.00 incl. VAT). VAT is calculated at the standard rate of 20%



Model line	Engine	Transmission	CO ₂ ^{1,*}	Basic RRP excl. VAT (£)	Total RRP incl. VAT (£)	Road Fund Licence (£) ²	Rec. OTR price (£) ³	P11D value (£)	BiK tax rate 2020/21 (%) ²
AMG Line Premium	A 180 Petrol – 1,332 cc, 4-cylinder, 136 hp/100 kW	6-speed manual	121	23,954.17	28,745.00	170.00	29,710.00	29,485.00	29
		7G-DCT 7-speed automatic	121	25,287.50	30,345.00	170.00	31,310.00	31,085.00	29
	A 200 Petrol – 1,332 cc, 4-cylinder, 163 hp/120 kW	6-speed manual	122	25,245.83	30,295.00	170.00	31,260.00	31,035.00	29
		7G-DCT 7-speed automatic	120	26,579.17	31,895.00	170.00	32,860.00	32,635.00	29
	A 250 Petrol – 1,991 cc, 4-cylinder, 224 hp/165 kW	7G-DCT 7-speed automatic	136	27,829.17	33,395.00	210.00	34,400.00	34,135.00	32
A 250 e Petrol – 1,332 cc, 4-cylinder, 160 hp/118 kW Electric motor – 102 hp/75 kW	8G-DCT 8-speed automatic	32	29,320.83	35,185.00	0.00	35,980.00	35,925.00	8	
AMG Line Premium Plus	A 180 d Diesel – 1,461 cc, 4-cylinder, 116 hp/85 kW	6-speed manual	106	26,329.17	31,595.00	170.00	32,560.00	32,335.00	30
		7G-DCT 7-speed automatic	101	27,662.50	33,195.00	170.00	34,160.00	33,935.00	29
	A 200 d Diesel – 1,950 cc, 4-cylinder, 150 hp/110 kW	8G-DCT 8-speed automatic	107	28,745.83	34,495.00	150.00	35,440.00	35,235.00	26
	A 220 d Diesel – 1,950 cc, 4-cylinder, 190 hp/140 kW	8G-DCT 8-speed automatic	111	30,037.50	36,045.00	170.00	37,010.00	36,785.00	27

¹The indicated values were determined according to the prescribed measurement method – Worldwide Harmonised Light Vehicle Test Procedure (WLTP). Figures shown may include options which are not available in the UK.

For Plug-in Hybrid Electric Vehicle (PHEV) figures determined with the battery fully charged, using a combination of both battery power and fuel. These models require mains electricity for charging

* CO₂ figures have been converted into NEDC-equivalent values for use with the current VED and BiK tax legislation

Figures shown are for comparability purposes; only compare with other cars tested to the same technical procedures. Figures may not reflect real life driving results, which will depend upon a number of factors including factory-fitted options, accessories fitted (post registration), variations in weather, driving styles and vehicle load. Further information about the test used to establish fuel consumption and CO₂ figures can be found at <http://www.mercedes-benz.co.uk/WLTP>

²A 200 d and A 220 d Hatchback engines are RDE (Real Driving Emissions) Step 2 Certified (Euro 6d). This results in a lower VED and BiK rate as these engines will not be subject to the diesel surcharge. A different first year rate of Vehicle Excise Duty (Road Fund Licence) applies for new cars. Please refer to page 100 for the relevant rate for the second and subsequent years

³The recommended on-the-road price includes the Road Fund Licence applicable to the standard model plus delivery charge (£715.00 incl. VAT), new vehicle registration fee (£55.00) and number plates (£25.00 incl. VAT). VAT is calculated at the standard rate of 20%



Model line	Engine	Transmission	CO ₂ ^{1,*}	Basic RRP excl. VAT (£)	Total RRP incl. VAT (£)	Road Fund Licence (£) ²	Rec. OTR price (£) ³	P11D value (£)	BiK tax rate 2020/21 (%) ²
AMG Line Premium Plus	A 180 Petrol – 1,332 cc, 4-cylinder, 136 hp/100 kW	6-speed manual	121	25,204.17	30,245.00	170.00	31,210.00	30,985.00	29
		7G-DCT 7-speed automatic	121	26,537.50	31,845.00	170.00	32,810.00	32,585.00	29
	A 200 Petrol – 1,332 cc, 4-cylinder, 163 hp/120 kW	6-speed manual	122	26,495.83	31,795.00	170.00	32,760.00	32,535.00	29
		7G-DCT 7-speed automatic	120	27,829.17	33,395.00	170.00	34,360.00	34,135.00	29
	A 250 Petrol – 1,991 cc, 4-cylinder, 224 hp/165 kW	7G-DCT 7-speed automatic	136	29,079.17	34,895.00	210.00	35,900.00	35,635.00	32
A 250 e Petrol – 1,332 cc, 4-cylinder, 160 hp/118 kW Electric motor – 102 hp/75 kW	8G-DCT 8-speed automatic	32	30,570.83	36,685.00	0.00	37,480.00	37,425.00	8	
Mercedes-AMG	Mercedes-AMG A 35 4MATIC Petrol – 1,991 cc, 4-cylinder, 306 hp/225 kW	7G-DCT 7-speed automatic	167	30,579.17	36,695.00	530.00	38,020.00	37,435.00	37
	Mercedes-AMG A 35 4MATIC Premium Petrol – 1,991 cc, 4-cylinder, 306 hp/225 kW	7G-DCT 7-speed automatic	169	32,662.50	39,195.00	530.00	40,520.00	39,935.00	37
	Mercedes-AMG A 35 4MATIC Premium Plus Petrol – 1,991 cc, 4-cylinder, 306 hp/225 kW	7G-DCT 7-speed automatic	169	35,579.17	42,695.00	530.00	44,020.00	43,435.00	37
	Mercedes-AMG A 45 S 4MATIC+ Petrol – 1,991 cc, 4-cylinder, 421 hp/310 kW	8G-DCT 8-speed automatic	192	40,412.50	48,495.00	1,280.00	50,570.00	49,235.00	37
	Mercedes-AMG A 45 S 4MATIC+ Plus Petrol – 1,991 cc, 4-cylinder, 421 hp/310 kW	8G-DCT 8-speed automatic	192	45,412.50	54,495.00	1,280.00	56,570.00	55,235.00	37

¹The indicated values were determined according to the prescribed measurement method – Worldwide Harmonised Light Vehicle Test Procedure (WLTP). Figures shown may include options which are not available in the UK.

For Plug-in Hybrid Electric Vehicle (PHEV) figures determined with the battery fully charged, using a combination of both battery power and fuel. These models require mains electricity for charging

*CO₂ figures have been converted into NEDC-equivalent values for use with the current VED and BiK tax legislation

Figures shown are for comparability purposes; only compare with other cars tested to the same technical procedures. Figures may not reflect real life driving results, which will depend upon a number of factors including factory-fitted options, accessories fitted (post registration), variations in weather, driving styles and vehicle load. Further information about the test used to establish fuel consumption and CO₂ figures can be found at <http://www.mercedes-benz.co.uk/WLTP>

²A 200 d and A 220 d Hatchback engines are RDE (Real Driving Emissions) Step 2 Certified (Euro 6d). This results in a lower VED and BiK rate as these engines will not be subject to the diesel surcharge. A different first year rate of Vehicle Excise Duty (Road Fund Licence) applies for new cars. Please refer to page 100 for the relevant rate for the second and subsequent years

³The recommended on-the-road price includes the Road Fund Licence applicable to the standard model plus delivery charge (£715.00 incl. VAT), new vehicle registration fee (£55.00) and number plates (£25.00 incl. VAT). VAT is calculated at the standard rate of 20%



Model prices – Saloon

Model line	Engine	Transmission	CO ₂ ^{1*}	Basic RRP excl. VAT (£)	Total RRP incl. VAT (£)	Road Fund Licence (£) ²	Rec. OTR price (£) ³	P11D value (£)	BiK tax rate 2020/21 (%)
Sport	A 180 d Diesel – 1,461 cc, 4-cylinder, 116 hp/85 kW	6-speed manual	105	21,825.00	26,190.00	170.00	27,155.00	26,930.00	30
		7G-DCT 7-speed automatic	100	23,158.33	27,790.00	150.00	28,735.00	28,530.00	29
	A 200 d Diesel – 1,950 cc, 4-cylinder, 150 hp/110 kW	8G-DCT 8-speed automatic	108	24,241.67	29,090.00	150.00	30,035.00	29,830.00	26
	A 180 Petrol – 1,332 cc, 4-cylinder, 136 hp/100 kW	6-speed manual	120	20,700.00	24,840.00	170.00	25,805.00	25,580.00	29
		7G-DCT 7-speed automatic	120	22,033.33	26,440.00	170.00	27,405.00	27,180.00	29
	A 200 Petrol – 1,332 cc, 4-cylinder, 163 hp/120 kW	6-speed manual	120	21,991.67	26,390.00	170.00	27,355.00	27,130.00	29
		7G-DCT 7-speed automatic	119	23,325.00	27,990.00	170.00	28,955.00	28,730.00	28
Sport Executive	A 180 d Diesel – 1,461 cc, 4-cylinder, 116 hp/85 kW	6-speed manual	105	23,075.00	27,690.00	170.00	28,655.00	28,430.00	30
		7G-DCT 7-speed automatic	100	24,408.33	29,290.00	150.00	30,235.00	30,030.00	29
	A 200 d Diesel – 1,950 cc, 4-cylinder, 150 hp/110 kW	8G-DCT 8-speed automatic	108	25,491.67	30,590.00	150.00	31,535.00	31,330.00	26
	A 180 Petrol – 1,332 cc, 4-cylinder, 136 hp/100 kW	6-speed manual	120	21,950.00	26,340.00	170.00	27,305.00	27,080.00	29
		7G-DCT 7-speed automatic	120	23,283.33	27,940.00	170.00	28,905.00	28,680.00	29
	A 200 Petrol – 1,332 cc, 4-cylinder, 163 hp/120 kW	6-speed manual	120	23,241.67	27,890.00	170.00	28,855.00	28,630.00	29
		7G-DCT 7-speed automatic	119	24,575.00	29,490.00	170.00	30,455.00	30,230.00	28

¹The indicated values were determined according to the prescribed measurement method – Worldwide Harmonised Light Vehicle Test Procedure (WLTP). Figures shown may include options which are not available in the UK

*CO₂ figures have been converted into NEDC-equivalent values for use with the current VED and BiK tax legislation

Figures shown are for comparability purposes; only compare with other cars tested to the same technical procedures. Figures may not reflect real life driving results, which will depend upon a number of factors including factory-fitted options, accessories fitted (post registration), variations in weather, driving styles and vehicle load. Further information about the test used to establish fuel consumption and CO₂ figures can be found at <http://www.mercedes-benz.co.uk/WLTP>

²A 200 d and A 220 d Saloon engines are RDE (Real Driving Emissions) Step 2 Certified (Euro 6d). This results in a lower VED and BiK rate as these engines will not be subject to the diesel surcharge. A different first year rate of Vehicle Excise Duty (Road Fund Licence) applies for new cars. Please refer to page 100 for the relevant rate for the second and subsequent years

³The recommended on-the-road price includes the Road Fund Licence applicable to the standard model plus delivery charge (£715.00 incl. VAT), new vehicle registration fee (£55.00) and number plates (£25.00 incl. VAT). VAT is calculated at the standard rate of 20%



Model line	Engine	Transmission	CO ₂ ^{1*}	Basic RRP excl. VAT (£)	Total RRP incl. VAT (£)	Road Fund Licence (£) ²	Rec. OTR price (£) ³	P11D value (£)	BiK tax rate 2020/21 (%)
AMG Line	A 180 d Diesel – 1,461 cc, 4-cylinder, 116 hp/85 kW	6-speed manual	105	23,075.00	27,690.00	170.00	28,655.00	28,430.00	30
		7G-DCT 7-speed automatic	100	24,408.33	29,290.00	150.00	30,235.00	30,030.00	29
	A 200 d Diesel – 1,950 cc, 4-cylinder, 150 hp/110 kW	8G-DCT 8-speed automatic	108	25,491.67	30,590.00	150.00	31,535.00	31,330.00	26
	A 220 d Diesel – 1,950 cc, 4-cylinder, 190 hp/140 kW	8G-DCT 8-speed automatic	109	26,783.33	32,140.00	150.00	33,085.00	32,880.00	26
	A 180 Petrol – 1,332 cc, 4-cylinder, 136 hp/100 kW	6-speed manual	120	21,950.00	26,340.00	170.00	27,305.00	27,080.00	29
		7G-DCT 7-speed automatic	120	23,283.33	27,940.00	170.00	28,905.00	28,680.00	29
	A 200 Petrol – 1,332 cc, 4-cylinder, 163 hp/120 kW	6-speed manual	120	23,241.67	27,890.00	170.00	28,855.00	28,630.00	29
		7G-DCT 7-speed automatic	119	24,575.00	29,490.00	170.00	30,455.00	30,230.00	28
	A 250 Petrol – 1,991 cc, 4-cylinder, 224 hp/165 kW	7G-DCT 7-speed automatic	134	25,825.00	30,990.00	210.00	31,995.00	31,730.00	31
	A 250 e Petrol – 1,332 cc, 4-cylinder, 160 hp/118 kW Electric motor – 102 hp/75 kW	8G-DCT 8-speed automatic	31	27,316.67	32,780.00	0.00	33,575.00	33,520.00	8

¹The indicated values were determined according to the prescribed measurement method – Worldwide Harmonised Light Vehicle Test Procedure (WLTP). Figures shown may include options which are not available in the UK

*CO₂ figures have been converted into NEDC-equivalent values for use with the current VED and BIK tax legislation

Figures shown are for comparability purposes; only compare with other cars tested to the same technical procedures. Figures may not reflect real life driving results, which will depend upon a number of factors including factory-fitted options, accessories fitted (post registration), variations in weather, driving styles and vehicle load. Further information about the test used to establish fuel consumption and CO₂ figures can be found at <http://www.mercedes-benz.co.uk/WLTP>

²A 200 d and A 220 d Saloon engines are RDE (Real Driving Emissions) Step 2 Certified (Euro 6d). This results in a lower VED and BIK rate as these engines will not be subject to the diesel surcharge. A different first year rate of Vehicle Excise Duty (Road Fund Licence) applies for new cars. Please refer to page 100 for the relevant rate for the second and subsequent years

³The recommended on-the-road price includes the Road Fund Licence applicable to the standard model plus delivery charge (£715.00 incl. VAT), new vehicle registration fee (£55.00) and number plates (£25.00 incl. VAT). VAT is calculated at the standard rate of 20%



Model line	Engine	Transmission	CO ₂ ^{1*}	Basic RRP excl. VAT (£)	Total RRP incl. VAT (£)	Road Fund Licence (£) ²	Rec. OTR price (£) ³	P11D value (£)	BiK tax rate 2020/21 (%)
AMG Line Executive	A 180 d Diesel – 1,461 cc, 4-cylinder, 116 hp/85 kW	6-speed manual	105	24,325.00	29,190.00	170.00	30,155.00	29,930.00	30
		7G-DCT 7-speed automatic	100	25,658.33	30,790.00	150.00	31,735.00	31,530.00	29
	A 200 d Diesel – 1,950 cc, 4-cylinder, 150 hp/110 kW	8G-DCT 8-speed automatic	108	26,741.67	32,090.00	150.00	33,035.00	32,830.00	26
	A 220 d Diesel – 1,950 cc, 4-cylinder, 190 hp/140 kW	8G-DCT 8-speed automatic	109	28,033.33	33,640.00	150.00	34,585.00	34,380.00	26
	A 180 Petrol – 1,332 cc, 4-cylinder, 136 hp/100 kW	6-speed manual	120	23,200.00	27,840.00	170.00	28,805.00	28,580.00	29
		7G-DCT 7-speed automatic	120	24,533.33	29,440.00	170.00	30,405.00	30,180.00	29
	A 200 Petrol – 1,332 cc, 4-cylinder, 163 hp/120 kW	6-speed manual	120	24,491.67	29,390.00	170.00	30,355.00	30,130.00	29
		7G-DCT 7-speed automatic	119	25,825.00	30,990.00	170.00	31,955.00	31,730.00	28
	A 250 Petrol – 1,991 cc, 4-cylinder, 224 hp/165 kW	7G-DCT 7-speed automatic	134	27,075.00	32,490.00	210.00	33,495.00	33,230.00	31
	A 250 e Petrol – 1,332 cc, 4-cylinder, 160 hp/118 kW Electric motor – 102 hp/75 kW	8G-DCT 8-speed automatic	31	28,566.67	34,280.00	0.00	35,075.00	35,020.00	8

¹The indicated values were determined according to the prescribed measurement method – Worldwide Harmonised Light Vehicle Test Procedure (WLTP). Figures shown may include options which are not available in the UK

*CO₂ figures have been converted into NEDC-equivalent values for use with the current VED and BIK tax legislation

Figures shown are for comparability purposes; only compare with other cars tested to the same technical procedures. Figures may not reflect real life driving results, which will depend upon a number of factors including factory-fitted options, accessories fitted (post registration), variations in weather, driving styles and vehicle load. Further information about the test used to establish fuel consumption and CO₂ figures can be found at <http://www.mercedes-benz.co.uk/WLTP>

²A 200 d and A 220 d Saloon engines are RDE (Real Driving Emissions) Step 2 Certified (Euro 6d). This results in a lower VED and BIK rate as these engines will not be subject to the diesel surcharge. A different first year rate of Vehicle Excise Duty (Road Fund Licence) applies for new cars. Please refer to page 100 for the relevant rate for the second and subsequent years

³The recommended on-the-road price includes the Road Fund Licence applicable to the standard model plus delivery charge (£715.00 incl. VAT), new vehicle registration fee (£55.00) and number plates (£25.00 incl. VAT). VAT is calculated at the standard rate of 20%



Model line	Engine	Transmission	CO ₂ ^{1,*}	Basic RRP excl. VAT (£)	Total RRP incl. VAT (£)	Road Fund Licence (£) ²	Rec. OTR price (£) ³	P11D value (£)	BiK tax rate 2020/21 (%)
AMG Line Premium	A 180 d Diesel – 1,461 cc, 4-cylinder, 116 hp/85 kW	6-speed manual	105	25,575.00	30,690.00	170.00	31,655.00	31,430.00	30
		7G-DCT 7-speed automatic	100	26,908.33	32,290.00	150.00	33,235.00	33,030.00	29
	A 200 d Diesel – 1,950 cc, 4-cylinder, 150 hp/110 kW	8G-DCT 8-speed automatic	108	27,991.67	33,590.00	150.00	34,535.00	34,330.00	26
	A 220 d Diesel – 1,950 cc, 4-cylinder, 190 hp/140 kW	8G-DCT 8-speed automatic	109	29,283.33	35,140.00	150.00	36,085.00	35,880.00	26
	A 180 Petrol – 1,332 cc, 4-cylinder, 136 hp/100 kW	6-speed manual	120	24,450.00	29,340.00	170.00	30,305.00	30,080.00	29
		7G-DCT 7-speed automatic	120	25,783.33	30,940.00	170.00	31,905.00	31,680.00	29
	A 200 Petrol – 1,332 cc, 4-cylinder, 163 hp/120 kW	6-speed manual	120	25,741.67	30,890.00	170.00	31,855.00	31,630.00	29
		7G-DCT 7-speed automatic	119	27,075.00	32,490.00	170.00	33,455.00	33,230.00	28
	A 250 Petrol – 1,991 cc, 4-cylinder, 224 hp/165 kW	7G-DCT 7-speed automatic	134	28,325.00	33,990.00	210.00	34,995.00	34,730.00	31
	A 250 e Petrol – 1,332 cc, 4-cylinder, 160 hp/118 kW Electric motor – 102 hp/75 kW	8G-DCT 8-speed automatic	31	29,816.67	35,780.00	0.00	36,575.00	36,520.00	8

¹The indicated values were determined according to the prescribed measurement method – Worldwide Harmonised Light Vehicle Test Procedure (WLTP). Figures shown may include options which are not available in the UK

*CO₂ figures have been converted into NEDC-equivalent values for use with the current VED and BIK tax legislation

Figures shown are for comparability purposes; only compare with other cars tested to the same technical procedures. Figures may not reflect real life driving results, which will depend upon a number of factors including factory-fitted options, accessories fitted (post registration), variations in weather, driving styles and vehicle load. Further information about the test used to establish fuel consumption and CO₂ figures can be found at <http://www.mercedes-benz.co.uk/WLTP>

²A 200 d and A 220 d Saloon engines are RDE (Real Driving Emissions) Step 2 Certified (Euro 6d). This results in a lower VED and BIK rate as these engines will not be subject to the diesel surcharge. A different first year rate of Vehicle Excise Duty (Road Fund Licence) applies for new cars. Please refer to page 100 for the relevant rate for the second and subsequent years

³The recommended on-the-road price includes the Road Fund Licence applicable to the standard model plus delivery charge (£715.00 incl. VAT), new vehicle registration fee (£55.00) and number plates (£25.00 incl. VAT). VAT is calculated at the standard rate of 20%



Model line	Engine	Transmission	CO ₂ ^{1,*}	Basic RRP excl. VAT (£)	Total RRP incl. VAT (£)	Road Fund Licence (£) ²	Rec. OTR price (£) ³	P11D value (£)	BiK tax rate 2020/21 (%)
AMG Line Premium Plus	A 180 d Diesel – 1,461 cc, 4-cylinder, 116 hp/85 kW	6-speed manual	105	26,825.00	32,190.00	170.00	33,155.00	32,930.00	30
		7G-DCT 7-speed automatic	100	28,158.33	33,790.00	150.00	34,735.00	34,530.00	29
	A 200 d Diesel – 1,950 cc, 4-cylinder, 150 hp/110 kW	8G-DCT 8-speed automatic	108	29,241.67	35,090.00	150.00	36,035.00	35,830.00	26
	A 220 d Diesel – 1,950 cc, 4-cylinder, 190 hp/140 kW	8G-DCT 8-speed automatic	109	30,533.33	36,640.00	150.00	37,585.00	37,380.00	26
	A 180 Petrol – 1,332 cc, 4-cylinder, 136 hp/100 kW	6-speed manual	120	25,700.00	30,840.00	170.00	31,805.00	31,580.00	29
		7G-DCT 7-speed automatic	120	27,033.33	32,440.00	170.00	33,405.00	33,180.00	29
	A 200 Petrol – 1,332 cc, 4-cylinder, 163 hp/120 kW	6-speed manual	120	26,991.67	32,390.00	170.00	33,355.00	33,130.00	29
		7G-DCT 7-speed automatic	119	28,325.00	33,990.00	170.00	34,955.00	34,730.00	28
	A 250 Petrol – 1,991 cc, 4-cylinder, 224 hp/165 kW	7G-DCT 7-speed automatic	134	29,575.00	35,490.00	210.00	36,495.00	36,230.00	31
	A 250 e Petrol – 1,332 cc, 4-cylinder, 160 hp/118 kW Electric motor – 102 hp/75 kW	8G-DCT 8-speed automatic	31	31,066.67	37,280.00	0.00	38,075.00	38,020.00	8

¹The indicated values were determined according to the prescribed measurement method – Worldwide Harmonised Light Vehicle Test Procedure (WLTP). Figures shown may include options which are not available in the UK

*CO₂ figures have been converted into NEDC-equivalent values for use with the current VED and BIK tax legislation

Figures shown are for comparability purposes; only compare with other cars tested to the same technical procedures. Figures may not reflect real life driving results, which will depend upon a number of factors including factory-fitted options, accessories fitted (post registration), variations in weather, driving styles and vehicle load. Further information about the test used to establish fuel consumption and CO₂ figures can be found at <http://www.mercedes-benz.co.uk/WLTP>

²A 200 d and A 220 d Saloon engines are RDE (Real Driving Emissions) Step 2 Certified (Euro 6d). This results in a lower VED and BIK rate as these engines will not be subject to the diesel surcharge. A different first year rate of Vehicle Excise Duty (Road Fund Licence) applies for new cars. Please refer to page 100 for the relevant rate for the second and subsequent years

³The recommended on-the-road price includes the Road Fund Licence applicable to the standard model plus delivery charge (£715.00 incl. VAT), new vehicle registration fee (£55.00) and number plates (£25.00 incl. VAT). VAT is calculated at the standard rate of 20%



Model line	Engine	Transmission	CO ₂ ^{1,*}	Basic RRP excl. VAT (£)	Total RRP incl. VAT (£)	Road Fund Licence (£) ²	Rec. OTR price (£) ³	P11D value (£)	BiK tax rate 2020/21 (%)
Mercedes-AMG	Mercedes-AMG A 35 4MATIC Petrol - 1,991 cc, 4-cylinder, 306 hp/225 kW	7G-DCT 7-speed automatic	164	31,075.00	37,290.00	530.00	38,615.00	38,030.00	37
	Mercedes-AMG A 35 4MATIC Premium Petrol - 1,991 cc, 4-cylinder, 306 hp/225 kW	7G-DCT 7-speed automatic	167	33,158.33	39,790.00	530.00	41,115.00	40,530.00	37
	Mercedes-AMG A 35 4MATIC Premium Plus Petrol - 1,991 cc, 4-cylinder, 306 hp/225 kW	7G-DCT 7-speed automatic	167	36,075.00	43,290.00	530.00	44,615.00	44,030.00	37

¹The indicated values were determined according to the prescribed measurement method - Worldwide Harmonised Light Vehicle Test Procedure (WLTP). Figures shown may include options which are not available in the UK

*CO₂ figures have been converted into NEDC-equivalent values for use with the current VED and BiK tax legislation

Figures shown are for comparability purposes; only compare with other cars tested to the same technical procedures. Figures may not reflect real life driving results, which will depend upon a number of factors including factory-fitted options, accessories fitted (post registration), variations in weather, driving styles and vehicle load. Further information about the test used to establish fuel consumption and CO₂ figures can be found at <http://www.mercedes-benz.co.uk/WLTP>

²A different first year rate of Vehicle Excise Duty (Road Fund Licence) applies for new cars. Please refer to page 100 for the relevant rate for the second and subsequent years

³The recommended on-the-road price includes the Road Fund Licence applicable to the standard model plus delivery charge (£715.00 incl. VAT), new vehicle registration fee (£55.00) and number plates (£25.00 incl. VAT). VAT is calculated at the standard rate of 20%



Pricing summary for model lines - Hatchback

Model	Transmission	Recommended OTR price (£) ¹						
		SE	Sport	Sport Executive	AMG Line	AMG Line Executive	AMG Line Premium	AMG Line Premium Plus
A 180 d	6-speed manual	25,060.00	26,560.00	28,060.00	28,060.00	29,560.00	31,060.00	32,560.00
	7G-DCT 7-speed auto.	26,660.00	28,160.00	29,660.00	29,660.00	31,160.00	32,660.00	34,160.00
A 200 d	8G-DCT 8-speed auto.	-	29,440.00	30,940.00	30,940.00	32,440.00	33,940.00	35,440.00
A 220 d	8G-DCT 8-speed auto.	-	-	-	32,510.00	34,010.00	35,510.00	37,010.00
A 180	6-speed manual	23,710.00	25,210.00	26,710.00	26,710.00	28,210.00	29,710.00	31,210.00
	7G-DCT 7-speed auto.	25,310.00	26,810.00	28,310.00	28,310.00	29,810.00	31,310.00	32,810.00
A 200	6-speed manual	-	26,760.00	28,260.00	28,260.00	29,760.00	31,260.00	32,760.00
	7G-DCT 7-speed auto.	-	28,360.00	29,860.00	29,860.00	31,360.00	32,860.00	34,360.00
A 250	7G-DCT 7-speed auto.	-	-	-	31,400.00	32,900.00	34,400.00	35,900.00
A 250 e	7G-DCT 7-speed auto.	-	-	-	32,980.00	34,480.00	35,980.00	37,480.00
					Mercedes-AMG	Mercedes-AMG Premium	Mercedes-AMG Premium Plus	
Mercedes-AMG A 35 4MATIC	7G-DCT 7-speed automatic			38,020.00		40,520.00		44,020.00
Mercedes-AMG A 45 S 4MATIC+	8G-DCT 8-speed automatic			50,570.00		-		-
Mercedes-AMG A 45 S 4MATIC+ Plus	8G-DCT 8-speed automatic			56,570.00		-		-

¹The recommended on-the-road price includes the Road Fund Licence applicable to the standard model plus delivery charge (£715.00 incl. VAT), new vehicle registration fee (£55.00) and number plates (£25.00 incl. VAT). VAT is calculated at the standard rate of 20%



Pricing summary for model lines - Saloon

Model	Transmission	Recommended OTR price (£) ¹					
		Sport	Sport Executive	AMG Line	AMG Line Executive	AMG Line Premium	AMG Line Premium Plus
A180 d	6-speed manual	27,155.00	28,655.00	28,655.00	30,155.00	31,655.00	33,155.00
	7G-DCT 7-speed automatic	28,735.00	30,235.00	30,235.00	31,735.00	33,235.00	34,735.00
A200 d	8G-DCT 8-speed automatic	30,035.00	31,535.00	31,535.00	33,035.00	34,535.00	36,035.00
A220 d	8G-DCT 8-speed automatic	-	-	33,085.00	34,585.00	36,085.00	37,585.00
A 180	6-speed manual	25,805.00	27,305.00	27,305.00	28,805.00	30,305.00	31,805.00
	7G-DCT 7-speed automatic	27,405.00	28,905.00	28,905.00	30,405.00	31,905.00	33,405.00
A 200	6-speed manual	27,355.00	28,855.00	28,855.00	30,355.00	31,855.00	33,355.00
	7G-DCT 7-speed automatic	28,955.00	30,455.00	30,455.00	31,955.00	33,455.00	34,955.00
A 250	7G-DCT 7-speed automatic	-	-	31,995.00	33,495.00	34,995.00	36,495.00
A 250 e	7G-DCT 7-speed automatic	-	-	33,575.00	35,075.00	36,575.00	38,075.00
				Mercedes-AMG	Mercedes-AMG Premium		Mercedes-AMG Premium Plus
Mercedes-AMG A 35 4MATIC	7G-DCT 7-speed automatic		38,615.00		41,115.00		44,615.00

¹The recommended on-the-road price includes the Road Fund Licence applicable to the standard model plus delivery charge (£715.00 incl. VAT), new vehicle registration fee (£55.00) and number plates (£25.00 incl. VAT). VAT is calculated at the standard rate of 20%



Book a test drive

- > Hatchback
- > AMG



> Find a Retailer

Colours, trim and upholstery



Some of the model features, optional extras and colours shown may not be available, or may only be available in a different specification.



Non-metallic and metallic paints (standard and optional)

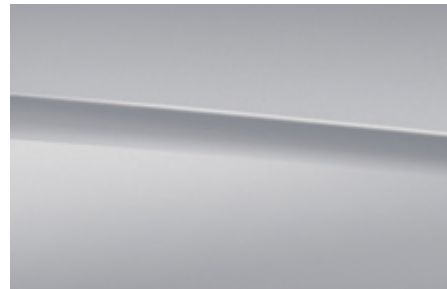
Total prices incl. VAT



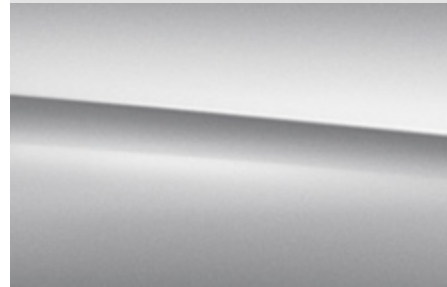
149 polar white non-metallic **standard**



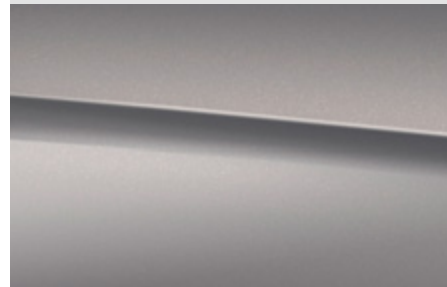
914 sun yellow non-metallic^{1,2} **no-cost option**



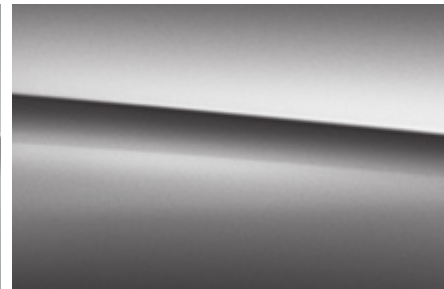
144 digital white metallic **£595.00**



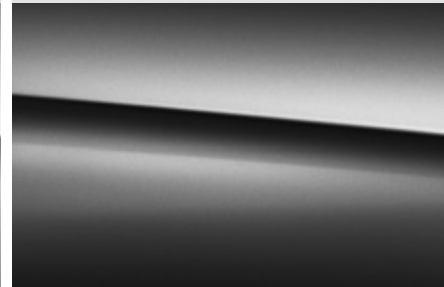
775 iridium silver metallic¹ **£595.00**



859 mojave silver metallic **£595.00**



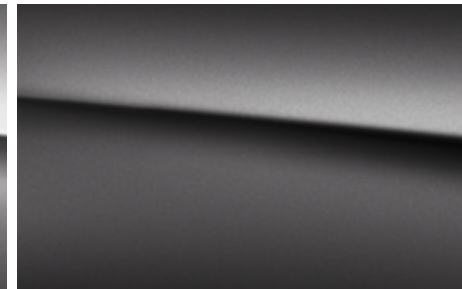
787 mountain grey metallic **£595.00**



191 cosmos black metallic **£595.00**



667 denim blue metallic **595.00**



662 designo mountain grey magno^{2,3} **£1,795.00**



993 designo patagonia red **£795.00**

¹Hatchback only - not available on Saloon ²Mercedes-AMG only ³designo magno matt paint finishes require extra care. Please refer to the Owner's Manual for instructions
 Please note that, owing to limitations of on-screen representation, paint colours may differ from those shown



Book a test drive [▶ Hatchback](#)
[▶ AMG](#)



[▶ Find a Retailer](#)

Trim



H55 dark carbon fibre

SE	-
Sport	●
Sport Executive	●
AMG Line	-
AMG Line Executive	-
AMG Line Premium	-
AMG Line Premium Plus	-
Mercedes-AMG	-



H44 light longitudinal-grain aluminium

SE	-
Sport	-
Sport Executive	-
AMG Line	-
AMG Line Executive	-
AMG Line Premium	●
AMG Line Premium Plus	●
Mercedes-AMG	●



Upholstery



311A ARTICO man-made leather/
Bertrix fabric – black
Comfort seats (adjustable headrests)

SE	●
Sport Sport Executive	–
AMG Line AMG Line Executive AMG Line Premium AMG Line Premium Plus	–



321A ARTICO man-made leather/
Fléron fabric – black
Comfort seats (adjustable headrests)

SE	–
Sport Sport Executive	●
AMG Line AMG Line Executive AMG Line Premium AMG Line Premium Plus	–



651A ARTICO man-made leather/
DINAMICA microfibre – black/red
Sports seats with integrated headrests (Hatchback)

SE	–
Sport Sport Executive	–
AMG Line AMG Line Executive AMG Line Premium AMG Line Premium Plus	●



651A ARTICO man-made leather/
DINAMICA microfibre – black/red
Sports seats with adjustable headrests (Saloon)

SE	–
Sport Sport Executive	–
AMG Line AMG Line Executive AMG Line Premium AMG Line Premium Plus	●



Upholstery (Mercedes-AMG A 35 4MATIC)



211A leather¹ – black

Mercedes-AMG A 35 4MATIC	<input checked="" type="radio"/>
Mercedes-AMG A 35 4MATIC Premium	<input checked="" type="radio"/>
Mercedes-AMG A 35 4MATIC Premium Plus	<input checked="" type="radio"/>



204A leather¹ – bahia brown/black

Mercedes-AMG A 35 4MATIC	<input type="radio"/>
Mercedes-AMG A 35 4MATIC Premium	<input type="radio"/>
Mercedes-AMG A 35 4MATIC Premium Plus	<input type="radio"/>



257A two-tone leather¹ – classic red/black

Mercedes-AMG A 35 4MATIC	<input type="radio"/>
Mercedes-AMG A 35 4MATIC Premium	<input type="radio"/>
Mercedes-AMG A 35 4MATIC Premium Plus	<input type="radio"/>



258A two-tone leather¹ – titanium grey pearl/black

Mercedes-AMG A 35 4MATIC	<input type="radio"/>
Mercedes-AMG A 35 4MATIC Premium	<input type="radio"/>
Mercedes-AMG A 35 4MATIC Premium Plus	<input type="radio"/>

● Standard ○ No-cost option ¹At least 80% of the seat upholstery is pure leather, while up to 20% may consist of man-made leather
 Images show sports seats with integrated headrests for Hatchback. Saloon has adjustable headrests Leather packages include leather seats, contrast stitching on dashboard and on the door panel beltline

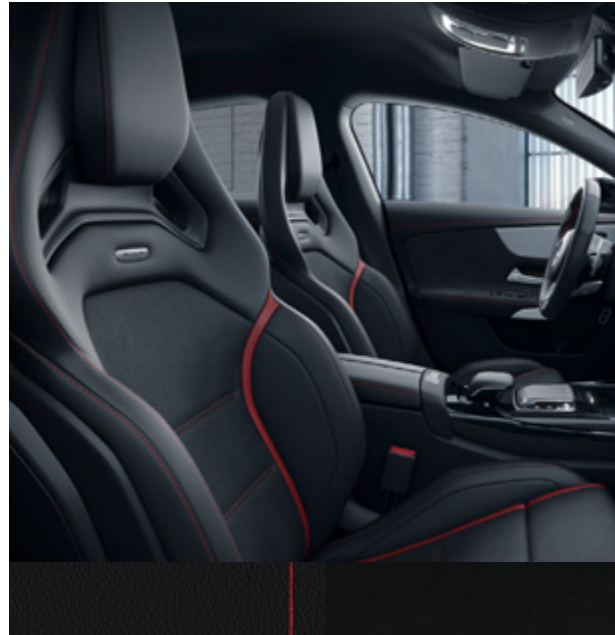


Upholstery (Mercedes-AMG A 45 S 4MATIC+/Plus)



671A ARTICO man-made leather/
 DINAMICA microfibre – black/yellow
 AMG Performance sports seats – fixed headrests

Mercedes-AMG A 45 S 4MATIC+	●
Mercedes-AMG A 45 S 4MATIC+ Plus	–



651A ARTICO man-made leather/
 DINAMICA microfibre – black/red
 AMG Performance sports seats – fixed headrests

Mercedes-AMG A 45 S 4MATIC+	○
Mercedes-AMG A 45 S 4MATIC+ Plus	–



259A two-tone leather¹ – titanium grey pearl/
 black with yellow
 AMG Performance multi-contour sports seats – fixed headrests

Mercedes-AMG A 45 S 4MATIC+	–
Mercedes-AMG A 45 S 4MATIC+ Plus	●



Upholstery (Mercedes-AMG A 45 S 4MATIC+ Plus)



211A leather¹ – black
 AMG Performance multi-contour sports seats – fixed headrests

Mercedes-AMG A 45 S 4MATIC+	–
Mercedes-AMG A 45 S 4MATIC+ Plus	○



204A leather¹ – bahia brown/black
 AMG Performance multi-contour sports seats – fixed headrests

Mercedes-AMG A 45 S 4MATIC+	–
Mercedes-AMG A 45 S 4MATIC+ Plus	○



257A two-tone leather¹ – classic red/black
 AMG Performance multi-contour sports seats – fixed headrests

Mercedes-AMG A 45 S 4MATIC+	–
Mercedes-AMG A 45 S 4MATIC+ Plus	○



258A two-tone leather¹ – titanium grey pearl/black
 AMG Performance multi-contour sports seats – fixed headrests

Mercedes-AMG A 45 S 4MATIC+	–
Mercedes-AMG A 45 S 4MATIC+ Plus	○



Wheels



R78 16" alloy wheels (4) – 5-twin-spoke design, painted vanadium silver
 205/60 tyres

SE	●
Sport	-
Sport Executive	-
AMG Line	-
AMG Line Executive	-
AMG Line Premium	-
AMG Line Premium Plus	-



72R 17" alloy wheels (4) – 10-spoke design, painted vanadium silver
 205/55 tyres

SE	-
Sport	●
Sport Executive	●
AMG Line	-
AMG Line Executive	-
AMG Line Premium	-
AMG Line Premium Plus	-



RQS 18" AMG alloy wheels (4) – 5-twin-spoke design, painted titanium grey with a high-sheen finish
 225/45 tyres

SE	-
Sport	-
Sport Executive	-
AMG Line	-
AMG Line Executive	-
AMG Line Premium	●
AMG Line Premium Plus	●



Book a test drive

- > Hatchback
- > AMG



> Find a Retailer



RQT 18" AMG alloy wheels (4) – 5-twin-spoke design, bicolour 235/40 tyres

Mercedes-AMG A 35 4MATIC	●
Mercedes-AMG A 35 4MATIC Premium	-
Mercedes-AMG A 35 4MATIC Premium Plus	-



RTI 19" AMG alloy wheels (4) – multi-spoke design, painted high-gloss black with a high-sheen finish 235/35 tyres

Mercedes-AMG A 35 4MATIC	-
Mercedes-AMG A 35 4MATIC Premium	●
Mercedes-AMG A 35 4MATIC Premium Plus	-



RVL 19" AMG alloy wheels (4) – multi-spoke design, painted matt black with a high-sheen finish 235/35 tyres

Mercedes-AMG A 35 4MATIC	-
Mercedes-AMG A 35 4MATIC Premium	-
Mercedes-AMG A 35 4MATIC Premium Plus	●



RTG 19" AMG alloy wheels (4) – 5-twin-spoke design, painted tantalite grey with a high-sheen finish
 255/35 tyres

Mercedes-AMG A 45 S 4MATIC+ ●

Mercedes-AMG A 45 S 4MATIC+ Plus –



RSZ 19" AMG forged alloy wheels (4) – cross-spoke design, painted matt black with a high-sheen rim flange
 255/35 tyres

Mercedes-AMG A 45 S 4MATIC+ –

Mercedes-AMG A 45 S 4MATIC+ Plus ●



Standard equipment

Item	SE	Sport	Sport Executive	AMG Line	AMG Line Executive	AMG Line Premium	AMG Line Premium Plus
Engine, Transmission and Suspension							
Cruise Control with Limiter	●	●	●	●	●	●	●
Driving modes – DYNAMIC SELECT with a choice of driving modes: 'Eco', 'Comfort', 'Sport' and 'Individual'	●	●	●	●	●	●	●
ECO start/stop function	●	●	●	●	●	●	●
Rear axle (Hatchback) – Multi-Link Applicable to AMG Line (excluding A180 d)	-	-	-	●	●	●	●
Rear axle (Hatchback) – Torsion Beam Applicable to SE and Sport model lines and A 180 d AMG Line	●	●	●	●	●	●	●
Rear axle (Saloon) – Multi-Link Applicable to AMG Line (excluding A180 d)	-	-	-	●	●	●	●
Rear axle (Saloon) – Torsion Beam Applicable to Sport model lines and A180 d AMG Line	-	●	●	●	●	●	●
Suspension – comfort suspension (A 250 e only)	-	-	-	●	●	●	●
Suspension – lowered comfort suspension (excludes A 250 e)	●	●	●	●	●	●	●

Item	SE	Sport	Sport Executive	AMG Line	AMG Line Executive	AMG Line Premium	AMG Line Premium Plus
Exterior							
AMG bodystyling – AMG front apron with front splitter in chrome and AMG rear apron with chrome trim and visible exhaust tailpipe trim elements	-	-	-	●	●	●	●
Beltline strips in chrome	●	●	●	●	●	●	●
Bodystyling – side skirts, body-coloured	●	●	●	●	●	●	●
Brakes – calipers with 'Mercedes-Benz' lettering on front	-	-	-	●	●	●	●
Brakes – perforated front brake discs AMG Line: engines A 220 d and A 250 only	-	-	-	●	●	●	●
Bumpers – body-coloured	●	●	●	●	●	●	●
Door handles – body-coloured	●	●	●	●	●	●	●
Door mirrors – electrically adjustable and heated with integrated LED indicators	●	●	●	●	●	●	●
Door sills – front door sills with 'Mercedes-Benz' lettering	●	●	●	●	●	●	●
Exhaust system – no visible tailpipes	●	-	-	-	-	-	-
Exhaust system – two visible tailpipes in polished stainless steel	-	●	●	●	●	●	●
Glass – rear windscreen, heated with timer control	●	●	●	●	●	●	●



Item	SE	Sport	Sport Executive	AMG Line	AMG Line Executive	AMG Line Premium	AMG Line Premium Plus
Exterior (continued)							
Lights – halogen headlamps with integrated daytime running lights	●	-	-	-	-	-	-
Lights – high-level third brake light, LED	●	●	●	●	●	●	●
Lights – LED High Performance headlamps with integrated LED daytime running lights	-	●	●	●	●	●	-
Lights – LED tail lamps	-	●	●	●	●	●	●
Lights – Multibeam LED headlamps with Adaptive Highbeam Assist Plus	-	-	-	-	-	-	●
Lights – part-LED tail lamps	●	-	-	-	-	-	-
Panoramic glass sunroof	-	-	-	-	-	-	●
Parking – Parking package including a reversing camera with parking guidelines, 180° view and Active Park Assist with PARKTRONIC	-	-	●	-	-	●	●
Parking – reversing camera with parking guidelines, 180° view	●	●	●	●	●	●	●
Privacy glass	-	-	-	●	●	●	●
Radiator grille – diamond radiator grille with pins in black, silver-painted louvre and insert in chrome	●	●	●	-	-	-	-
Radiator grille – diamond radiator grille with pins in chrome, silver-painted louvre and insert in chrome	-	-	-	●	●	●	●
Summer tyres	●	●	●	●	●	●	●
Window line – black	●	-	-	-	-	-	-
Window line – chrome	-	●	●	●	●	●	●
Wiper system – rear windscreen wiper (Hatchback only)	●	●	●	●	●	●	●

Item	SE	Sport	Sport Executive	AMG Line	AMG Line Executive	AMG Line Premium	AMG Line Premium Plus
Interior							
Air conditioning – air vents black with surround in silver chrome	●	●	●	●	●	●	●
Air conditioning – THERMATIC	●	-	-	-	-	-	-
Air conditioning – THERMOTRONIC luxury automatic climate control, two-zone, with display	-	●	●	●	●	●	●
Centre armrest – front, with stowage	●	●	●	●	●	●	●
Floor mats – velour	●	●	●	-	-	-	-
Floor mats – with stitched edging and ‘AMG’ lettering	-	-	-	●	●	●	●
Instrument cluster – outside temperature gauge	●	●	●	●	●	●	●
Instrument cluster – service indicator ASSYST	●	●	●	●	●	●	●
Instrument cluster – trip computer in multifunction display with current consumption indicator (operated via steering wheel)	●	●	●	●	●	●	●
Interior lighting – 64-colour ambient lighting	-	-	-	-	-	●	●
Interior lighting – Light and Sight package	●	●	●	●	●	●	●
Luggage net on driver’s and front passenger’s backrests	●	●	●	●	●	●	●
KEYLESS-GO starting function	●	●	●	●	●	●	●
Pedals – brushed stainless-steel sports pedals with rubber studs	-	-	-	●	●	●	●
Rear armrest with two cup holders	-	-	-	-	-	●	●
Seats – Seat Comfort package	●	●	●	●	●	●	●
Seats – electrically adjustable front memory seats with lumbar support	-	-	-	-	-	-	●



Item	SE	Sport	Sport Executive	AMG Line	AMG Line Executive	AMG Line Premium	AMG Line Premium Plus
Interior (continued)							
Seats – heated front seats	●	●	●	●	●	●	●
Seats – rear seat backrests, split folding (40:20:40)	●	●	●	●	●	●	●
Seats – comfort seats with adjustable head restraints	●	●	●	–	–	–	–
Seats – sports seats with integrated head restraints (Hatchback only)	–	–	–	●	●	●	●
Seats – sports seats with adjustable head restraints (Saloon only)	–	–	–	●	●	●	●
Spectacles compartment for driver	●	●	●	●	●	●	●
Stowage – luggage compartment cover (automatic only)	●	●	●	●	●	●	●
Sun visor with illuminated vanity mirror	●	●	●	●	●	●	●
Touchpad on centre console	●	●	●	●	●	●	●
Windows – electric windows (4)	●	●	●	●	●	●	●

Item	SE	Sport	Sport Executive	AMG Line	AMG Line Executive	AMG Line Premium	AMG Line Premium Plus
Steering							
Steering – Direct-Steer system	●	●	●	●	●	●	●
Steering – speed-sensitive power steering	●	●	●	●	●	●	●
Steering column – manually adjustable for height and reach	●	●	●	●	●	●	●
Steering wheel – 3-spoke multifunction with trimmed in leather	●	●	●	–	–	–	–
Steering wheel – 3-spoke multifunction with trimmed in leather with flattened bottom section and perforated leather in grip area	–	–	–	●	●	●	●
Steering wheel – galvanised gearshift paddles	●	●	●	–	–	–	–
Steering wheel – gearshift paddles	–	–	–	●	●	●	●

Paint, Trim and Upholstery

Paint – non-metallic	●	●	●	●	●	●	●
Roof lining – black	●	●	●	●	●	●	●
Trim – dark carbon fibre	–	●	●	–	–	–	–
Trim – light longitudinal-grain aluminium	–	–	–	–	–	●	●
Upholstery – ARTICO man-made leather/Bertrix fabric (black)	●	–	–	–	–	–	–
Upholstery – ARTICO man-made leather/DINAMICA microfibre with red contrast stitching	–	–	–	●	●	●	●
Upholstery – ARTICO man-made leather/Fléron fabric (black)	–	●	●	–	–	–	–



Item	SE	Sport	Sport Executive	AMG Line	AMG Line Executive	AMG Line Premium	AMG Line Premium Plus
Communications and In-Car Entertainment							
Augmented reality for navigation	-	-	-	-	-	●	●
DAB digital radio tuner	●	●	●	●	●	●	●
Dual Bluetooth® interface	●	●	●	●	●	●	●
Hard-disk navigation	●	●	●	●	●	●	●
“Hey Mercedes” voice activation	●	●	●	●	●	●	●
Instrument display – 7-inch digital display	●	●	●	●	●	-	-
Instrument display – 10.25-inch digital display	-	-	-	-	-	●	●
Live Traffic Information (free for first three years)	●	●	●	●	●	●	●
MBUX multimedia system ¹	●	●	●	●	●	●	●
Media display – 7-inch touchscreen display	●	●	-	●	-	-	-
Media display – 10.25-inch touchscreen display	-	-	●	-	●	●	●
Mercedes me connect (standard services) Including emergency call system (eCall), accident recovery, breakdown management and maintenance management	●	●	●	●	●	●	●
Owner’s manual in English	●	●	●	●	●	●	●
Pre-installation for Mercedes-Benz Link	●	●	●	●	●	●	●
Pre-installation for private car sharing	●	●	●	●	●	●	●
Radio aerial roof spoiler (Hatchback only)	●	●	●	●	●	●	●
Smartphone integration ² including Apple CarPlay™ and Android Auto™	-	-	●	-	●	●	●

Item	SE	Sport	Sport Executive	AMG Line	AMG Line Executive	AMG Line Premium	AMG Line Premium Plus
Safety and Assistance Systems							
Sound system – Mercedes-Benz advanced sound system, 225 W	-	-	-	-	-	●	●
Sound system – Mercedes-Benz sound system, 100 W	●	●	●	●	●	-	-
USB ports – type C (2), in rear of stowage compartment and one in front of centre console	●	●	●	●	●	●	●
Wireless charging ²	-	-	●	-	●	●	●
Acoustic ambient protection – the tone pitch changes depending on the driving conditions. You can therefore also differentiate whether you are braking or accelerating. Above 30 km/h, the system is basically deactivated since wind and tyre noise tend to dominate at higher speeds (A 250 e only)	-	-	-	●	●	●	●
Active bonnet – pedestrian safety measure which detects an impact and raises bonnet by 65 mm	●	●	●	●	●	●	●
Active Lane Keeping Assist	●	●	●	●	●	●	●
Airbags – dual-stage, driver and front passenger	●	●	●	●	●	●	●
Airbags – kneebag for driver	●	●	●	●	●	●	●
Airbags – windowbags, driver and front passenger	●	●	●	●	●	●	●
Alarm system with immobiliser and interior protection – Thatcham category 1 (T1)	●	●	●	●	●	●	●
ATTENTION ASSIST	●	●	●	●	●	●	●

● Standard – Not available ¹LINGUATRONIC off-board functions are currently only available for three years

²Compatible mobile phone required. Please check www.mercedes-benz-mobile.com for details or contact your local Mercedes-Benz Retailer for further information



Item	SE	Sport	Sport Executive	AMG Line	AMG Line Executive	AMG Line Premium	AMG Line Premium Plus
Safety and Assistance Systems (continued)							
Braking - Active Brake Assist	●	●	●	●	●	●	●
Braking - Adaptive Brake Assist with HOLD function and Hill Start Assist	●	●	●	●	●	●	●
Braking - adaptive brake lights	●	●	●	●	●	●	●
Braking - anti-lock braking system (ABS) with Brake Assist (BAS)	●	●	●	●	●	●	●
Braking - brake-pad wear warning indicator	●	●	●	●	●	●	●
Charging system - AC charging system rated at 7.4 kW (A 250 e only)	-	-	-	●	●	●	●
Charging socket (A 250 e only)	-	-	-	●	●	●	●
Charging cable - Charging cable for wallbox and public charging stations, 4 m, coiled. Mode 3 cable, enables you to charge the vehicle battery via the wallbox or at public charging stations at up to 11 kW (A 250 e only)	-	-	-	●	●	●	●
Crash-responsive emergency lighting	●	●	●	●	●	●	●
Electric parking brake	●	●	●	●	●	●	●
Electronic Stability Programme (ESP®) with Acceleration Skid Control (ASR)	●	●	●	●	●	●	●
ESP® Curve Dynamic Assist	●	●	●	●	●	●	●
First-aid kit and warning triangle	●	●	●	●	●	●	●
Headlamp Assist - automatic headlamp activation	●	●	●	●	●	●	●
Lamp failure indicator	●	●	●	●	●	●	●

Item	SE	Sport	Sport Executive	AMG Line	AMG Line Executive	AMG Line Premium	AMG Line Premium Plus
Locking - childproof locks, manually operated for rear doors and electrically operated for rear power windows	●	●	●	●	●	●	●
Locking - KEYLESS-GO (lock/unlock)	-	-	-	-	-	●	●
Locking - remote central locking and crash sensor with emergency opening function	●	●	●	●	●	●	●
Pre-entry climate control (A 250 e only)	-	-	-	●	●	●	●
Radar-based recuperation (A 250 e only)	-	-	-	●	●	●	●
Rain-sensing windscreen wipers with two sensitivity settings	●	●	●	●	●	●	●
Rear fog lamp	●	●	●	●	●	●	●
Seats - automatic child seat recognition sensor (pressure sensor)	●	●	●	●	●	●	●
Seats - ISOFIX and top-tether child seat fixing points in rear (two outer seats)	●	●	●	●	●	●	●
Seats - seat occupancy sensor, front passenger seat	●	●	●	●	●	●	●
Seat belts - black	●	●	●	●	●	●	●
Seat belts - reminder, front and rear	●	●	●	●	●	●	●
Seat belts - three-point, rear (3)	●	●	●	●	●	●	●
Speed Limit Assist	●	●	●	●	●	●	●
Traffic Sign Assist	-	-	-	-	-	-	●
Tyres - TIREFIT tyre-sealant kit	●	●	●	●	●	●	●
Tyres - tyre pressure monitoring system	●	●	●	●	●	●	●



AMG standard equipment

Item	A 35 4MATIC	A 35 4MATIC Premium	A 35 4MATIC Premium Plus	A 45 S 4MATIC+	A 45 S 4MATIC+ Plus
Engine, Transmission and Suspension					
AMG Performance 4MATIC+ with TORQUE CONTROL	-	-	-	●	●
AMG speed-sensitive steering with two sets of steering characteristics	-	-	-	●	●
Cruise Control with Limiter	●	●	●	●	●
Driving modes – AMG DYNAMIC SELECT with drive programs ‘Slippery’, ‘Comfort’, ‘Sport’, ‘Sport+’, ‘Individual’ and ‘RACE’; including Drift mode activated via steering wheel shift paddles, plus ‘RACE’	-	-	-	●	●
Driving modes – DYNAMIC SELECT with drive programs ‘Slippery’, ‘Comfort’, ‘Sport’, ‘Sport+’ and ‘Individual’	●	●	●	-	-
ECO start/stop function	●	●	●	●	●
Rear axle (Hatchback) – Multi-Link	●	●	●	●	●
Rear axle (Saloon) – Multi-Link	●	●	●	-	-
Suspension – AMG suspension	●	●	●	-	-
Suspension – AMG suspension incl. AMG-specific axles and sporty spring/damper setup	-	-	-	●	●
Suspension – with Adaptive Damping system: shock courses for the springs shortened by 15mm. The car visually presses itself even closer to the road surface	-	-	●	-	●

Item	A 35 4MATIC	A 35 4MATIC Premium	A 35 4MATIC Premium Plus	A 45 S 4MATIC+	A 45 S 4MATIC+ Plus
Exterior					
AMG Aerodynamics package	-	-	●	-	●
AMG Night package	-	●	●	●	●
Mirror package	●	●	●	●	●
AMG bodystyling – AMG front apron with front splitter in chrome and AMG rear apron with chrome trim and visible exhaust tailpipe trim elements	●	●	●	●	●
AMG A 45 S bodystyling – AMG rear apron with AMG-specific diffuser look with four vertical fins, side sill panels, spoiler lip on the roof spoiler, AMG-specific front apron and ‘S’ labelling on the boot lid	-	-	-	●	●
AMG spoiler lip on the roof spoiler	●	●	●	-	-
Beltline strips in chrome	●	-	-	-	-
Beltline strips in high-gloss black	-	●	●	●	●
Bodystyling – side skirts, body-coloured	●	●	●	-	-
Bonnet with power domes	-	-	-	●	●
Brakes – AMG high-performance brake system with red-painted brake calipers and black ‘AMG’ lettering at the front, ventilated and perforated brake discs	-	-	-	●	●
Brakes – calipers with ‘AMG’ lettering on front	●	●	●	-	-
Brakes – perforated front brake discs	●	●	●	-	-
Bumpers – body-coloured	●	●	●	●	●



Item	A 35 4MATIC	A 35 4MATIC Premium	A 35 4MATIC Premium Plus	A 45 S 4MATIC+	A 45 S 4MATIC+ Plus
Exterior (continued)					
Door handles – body-coloured with chrome accent	●	●	●	●	●
Door mirrors – electrically adjustable and heated with integrated LED indicators	●	●	●	●	●
Door sills – front door sills with ‘Mercedes-Benz’ lettering	●	●	●	-	-
Door sills – illuminated front door sills with ‘Mercedes-Benz’ lettering	-	●	●	●	●
Exhaust system – AMG Real Performance Sound	-	-	-	●	●
Exhaust system – AMG sports exhaust system with two round tailpipes attached to the rear apron	●	●	●	-	-
Exhaust system – two round twin tailpipe trim elements each measuring 90 mm in diameter, ‘AMG’ lettering plus ribbing on the inside of the pipe	-	-	-	●	●
Exhaust system – with valve control dependent on drive program	-	-	-	●	●
Front apron with flics as air deflector elements on the outer air intakes	●	●	●	-	-
Front splitter and trim elements on the louvres in the outer air inlets in silver chrome	●	●	●	-	-
Glass – rear windscreen, heated with timer control	●	●	●	●	●
Lights – high-level third brake light, LED	●	●	●	●	●
Lights – LED High Performance headlamps with integrated LED daytime running lights	●	●	-	●	-

Item	A 35 4MATIC	A 35 4MATIC Premium	A 35 4MATIC Premium Plus	A 45 S 4MATIC+	A 45 S 4MATIC+ Plus
Lights – LED tail lamps	●	●	●	●	●
Lights – MULTIBEAM LED headlamps with Adaptive Highbeam Assist Plus	-	-	●	-	●
Panoramic glass sunroof	-	-	●	-	●
Parking – Parking package	●	●	●	●	●
Parking – reversing camera with parking guidelines, 180° view	●	●	●	●	●
Privacy glass	●	●	●	●	●
Radiator grille – AMG radiator grille with twin blade lamella and ‘AMG’ lettering	●	●	●	-	-
Radiator grille – AMG-specific radiator grille in high-gloss chrome with ‘AMG’ lettering	-	-	-	●	●
Summer tyres	●	●	●	●	●
Window line – chrome	●	●	●	-	-
Window line – high-gloss black	-	●	●	●	●
Wiper system – rear windscreen wiper (Hatchback only)	●	●	●	●	●
Wheel arches – flared AMG wings with ‘TURBO 4MATIC+’ lettering	-	-	-	●	●
Wheel arches – front wings – with ‘TURBO 4MATIC’ lettering	●	●	●	-	-
Wheel arches – wider for AMG wheels	●	●	●	●	●



Item	A 35 4MATIC	A 35 4MATIC Premium	A 35 4MATIC Premium Plus	A 45 S 4MATIC+	A 45 S 4MATIC+ Plus
Interior					
AMG centre console, decidedly sporty with raised front section – with integral control switches for manual transmission mode	-	-	-	●	●
AMG centre console is finished with trim in silver chrome in conjunction with the Leather packages	-	-	-	-	●
Air conditioning – air vents black with surround in silver chrome	●	●	●	●	●
Air conditioning – THERMOTRONIC luxury automatic climate control, two-zone, with display	●	●	●	●	●
Centre armrest – front, with stowage	●	●	●	●	●
Floor mats – AMG	-	-	-	●	●
Floor mats – with stitched edging and ‘AMG’ lettering	●	●	●	-	-
Instrument cluster – outside temperature gauge	●	●	●	●	●
Instrument cluster – service indicator ASSYST	●	●	●	●	●
Instrument cluster – trip computer in multifunction display with current consumption indicator (operated via steering wheel)	●	●	●	●	●
Interior lighting – 64-colour ambient lighting	-	-	●	●	●
Interior lighting – Light and Sight package	●	●	●	●	●
Luggage net on driver’s and front passenger’s backrests	●	●	●	-	-
KEYLESS-GO starting function	●	●	●	●	●
Pedals – AMG brushed stainless steel sports pedals with rubber studs	-	-	-	●	●

Item	A 35 4MATIC	A 35 4MATIC Premium	A 35 4MATIC Premium Plus	A 45 S 4MATIC+	A 45 S 4MATIC+ Plus
Pedals – brushed stainless-steel sports pedals with rubber studs	●	●	●	-	-
Rear armrest with two cup holders	-	●	●	●	●
Seats – AMG Performance Seat High-End package	-	-	-	-	●
Seats – AMG Performance Seat package	-	-	-	●	-
Seats – Multi-contour seat package	-	-	-	-	●
Seats – Seat Comfort package	●	●	●	●	●
Seats – AMG Performance seats	-	-	-	●	●
Seats – electrically adjustable front memory seats with lumbar support	-	-	●	-	-
Seats – heated front seats	●	●	●	●	●
Seats – rear seat backrests, split folding (40:20:40)	●	●	●	●	●
Seats – sports seats with integrated head restraints (Hatchback only)	●	●	●	-	-
Seats – sports seats with adjustable head restraints (Saloon only)	●	●	●	-	-
Spectacles compartment for driver	●	●	●	●	●
Stowage – luggage compartment cover (automatic only)	●	●	●	●	●
Sun visor with illuminated vanity mirror	●	●	●	●	●
Touchpad on centre console	●	●	●	●	●
Windows – electric windows (4)	●	●	●	●	●



Item	A 35 4MATIC	A 35 4MATIC Premium	A 35 4MATIC Premium Plus	A 45 S 4MATIC+	A 45 S 4MATIC+ Plus
Steering					
Steering – Direct-Steer system	●	●	●	●	●
Steering – speed-sensitive power steering	●	●	●	●	●
Steering column – manually adjustable for height and reach	●	●	●	●	●
Steering wheel – AMG Performance steering wheel in nappa leather	●	●	●	-	-
Steering wheel – AMG Performance steering wheel in nappa leather/ DINAMICA microfiber – sporty 3-spoke design with flattened lower section	-	-	-	●	●
Steering wheel – AMG steering wheel buttons	-	-	-	●	●
Steering wheel – silver-coloured aluminium gearshift paddles	●	●	●	●	●
Paint, Trim and Upholstery					
Paint – non-metallic (sun yellow not available for Saloon)	●	●	●	●	●
Roof lining – black	●	●	●	●	●
Trim – light longitudinal-grain aluminium	●	●	●	●	●
Upholstery – AMG Leather package	○	○	○	-	●
Upholstery – Leather package	●	●	●	-	○
Upholstery – ARTICO man-made leather/DINAMICA microfibre with red contrast stitching	●	-	-	○	-
Upholstery – ARTICO man-made leather/DINAMICA microfibre with AMG black and yellow	-	-	-	●	-
Upholstery – two-tone leather titanium grey pearl/black with yellow contrasting topstitching	-	-	-	-	●

Item	A 35 4MATIC	A 35 4MATIC Premium	A 35 4MATIC Premium Plus	A 45 S 4MATIC+	A 45 S 4MATIC+ Plus
Communications and In-Car Entertainment					
AMG menu with sporty additional information such as gear indicator (incl. yellow ‘M’ symbol in manual mode), Warm-Up menu (incl. engine and transmission oil temperature), Set-Up menu (incl. AMG DYNAMIC SELECT settings) plus G-meter, Race Timer and engine data	-	-	-	●	●
Augmented reality for navigation	-	●	●	●	●
DAB digital radio tuner	●	●	●	●	●
Dual Bluetooth® interface	●	●	●	●	●
Hard-disk navigation	●	●	●	●	●
“Hey Mercedes” voice activation	●	●	●	●	●
Instrument display – 7-inch digital display	●	-	-	-	-
Instrument display – 10.25-inch digital display	-	●	●	●	●
Live Traffic Information (free for first three years)	●	●	●	●	●
MBUX multimedia system ¹	●	●	●	●	●
Media display – 10.25-inch touchscreen display	●	●	●	-	-
Media display – 10.25-inch touchscreen display with AMG-specific content: AMG start-up logo, visualisation of the AMG drive programs, vehicle and engine data	-	-	-	●	●
Sound system – Burmester® surround sound system, 590 W	-	-	●	-	●
Sound system – Mercedes-Benz advanced sound system, 225 W	-	●	-	●	-
Sound system – Mercedes-Benz sound system, 100 W	●	-	-	-	-



Item	A 35 4MATIC	A 35 4MATIC Premium	A 35 4MATIC Premium Plus	A 45 S 4MATIC+	A 45 S 4MATIC+ Plus
Communications and In-Car Entertainment (continued)					
Mercedes me connect (standard services) Including emergency call system (eCall), accident recovery, breakdown management and maintenance management	●	●	●	●	●
Owner's Manual in English	●	●	●	●	●
Pre-installation for Mercedes-Benz Link	●	●	●	●	●
Pre-installation for private car sharing	●	●	●	●	●
Pre-installation for Vehicle Monitoring	●	●	●	●	●
Pre-installation for Vehicle Setup	●	●	●	●	●
Radio aerial roof spoiler (Hatchback only)	●	●	●	●	●
Smartphone integration ¹ including Apple CarPlay™ and Android Auto™	●	●	●	●	●
USB ports – type C (2), in rear of stowage compartment and one in front of centre console	●	●	●	●	●
Wireless charging ¹	●	●	●	●	●
Safety and Assistance Systems					
AMG Driver's package with top speed of 280 km/h	-	-	-	●	●
AMG TRACK PACE	-	-	-	●	●
Active bonnet – pedestrian safety measure which detects an impact and raises bonnet by 65 mm	●	●	●	●	●

Item	A 35 4MATIC	A 35 4MATIC Premium	A 35 4MATIC Premium Plus	A 45 S 4MATIC+	A 45 S 4MATIC+ Plus
Active Lane Keeping Assist	●	●	●	●	●
Airbags – dual-stage, driver and front passenger	●	●	●	●	●
Airbags – kneebag for driver	●	●	●	●	●
Airbags – windowbags, driver and front passenger	●	●	●	●	●
Alarm system with immobiliser and interior protection – Thatcham category 1 (T1)	●	●	●	●	●
ATTENTION ASSIST	●	●	●	●	●
Blind Spot Assist	-	-	-	-	●
Braking – Active Brake Assist	●	●	●	●	●
Braking – Adaptive Brake Assist with HOLD function and Hill Start Assist	●	●	●	●	●
Braking – adaptive brake lights	●	●	●	●	●
Braking – anti-lock braking system (ABS) with Brake Assist (BAS)	●	●	●	●	●
Braking – brake-pad wear warning indicator	●	●	●	●	●
Crash-responsive emergency lighting	●	●	●	●	●
Electric parking brake	●	●	●	●	●
Electronic Stability Programme (ESP®) with Acceleration Skid Control (ASR)	●	●	●	●	●
ESP® Curve Dynamic Assist	●	●	●	●	●
ESP® – three-stage ESP®	-	-	-	●	●



Item	A 35 4MATIC	A 35 4MATIC Premium	A 35 4MATIC Premium Plus	A 45 S 4MATIC+	A 45 S 4MATIC+ Plus
Safety and Assistance Systems (continued)					
Exit Warning Function	-	-	-	-	●
First-aid kit and warning triangle	●	●	●	●	●
Headlamp Assist - automatic headlamp activation	●	●	●	●	●
Lamp failure indicator	●	●	●	●	●
Locking - childproof locks, manually operated for rear doors and electrically operated for rear power windows	●	●	●	●	●
Locking - KEYLESS-GO (lock/unlock)	-	●	●	●	●
Locking - remote central locking and crash sensor with emergency opening function	●	●	●	●	●
Rain-sensing windscreen wipers with two sensitivity settings	●	●	●	●	●
Rear fog lamp	●	●	●	●	●
Seats - automatic child seat recognition sensor (pressure sensor)	●	●	●	●	●
Seats - ISOFIX and top-tether child seat fixing points in rear (two outer seats)	●	●	●	●	●
Seats - seat occupancy sensor, front passenger seat	●	●	●	●	●
Seat belts - black	●	●	●	●	●

Item	A 35 4MATIC	A 35 4MATIC Premium	A 35 4MATIC Premium Plus	A 45 S 4MATIC+	A 45 S 4MATIC+ Plus
Seat belts - reminder, front and rear	●	●	●	●	●
Seat belts - three-point, rear (3)	●	●	●	●	●
Speed Limit Assist	●	●	●	●	●
Traffic Sign Assist	-	-	●	-	●
Tyres - TIREFIT tyre-sealant kit	●	●	●	●	●
Tyres - tyre pressure monitoring system	●	●	●	●	●



Optional equipment

Item	Notes		SE	Sport	Sport Executive	AMG Line	AMG Line Executive	AMG Line Premium	AMG Line Premium Plus	AMG A 35 4MATIC Executive	A 35 4MATIC Premium	A 35 4MATIC Premium Plus	AMG A 45 S 4MATIC+	AMG A 45 S 4MATIC+ Plus	Basic RRP excl. VAT (£)	Total RRP incl. VAT (£)
Paint, Trim and Upholstery																
Paint - designo mountain grey magno		662	-	-	-	-	-	-	-	o	o	o	o	o	1,495.83	1,795.00
Paint - designo patagonia red		993	-	o	o	o	o	o	o	o	o	o	o	o	662.50	795.00
Paint - metallic		1	o	o	o	o	o	o	o	o	o	o	o	o	495.83	595.00
Seat belts - red	Only with ARTICO man-made leather/DINAMICA microfibre - black/red (code 651A)	1	-	-	-	-	-	-	-	-	-	-	o	-	no-cost option	
Service Package																
ServiceCare ServiceCare allows you to spread the cost of servicing your new car in the Mercedes-Benz Retailer network. Taking out a ServiceCare plan ensures your servicing needs are taken care of by fully trained Mercedes-Benz Technicians with the added benefit of a Mercedes-Benz service history	Price is based on a monthly rate. Example given is for two services taken over 24 months; three services over 36 months; or four services over 48 months. Further payment options are available. New ServiceCare prices apply only to vehicles up to 12 months old prior to first service	1	o	o	o	o	o	o	o	-	-	-	-	-	24.17	29.00
			-	-	-	-	-	-	o	o	o	o	o	o	o	34.17



Book a test drive

> Hatchback

> AMG



> Find a Retailer

Genuine Accessories

We've developed a range of Accessories you can add to help personalise and enhance your A-Class. Your local Mercedes-Benz Retailer can advise on fitting costs of Accessories, where applicable. Further information on our full range of Genuine Accessories can be found **here** on the Mercedes-Benz Cars UK website.



01



02



03



04

01 | LED projectors, Mercedes star (A2478208702)

Innovative LED projectors project a Mercedes star with a 3D effect onto the ground in the entrance area when opening the driver or front passenger door.

RRP £120.00 (incl. VAT) per pair, excluding fitting

02 | Roof spoiler in carbon fibre look (A1777930200)

The Mercedes-Benz Sport Equipment roof spoiler, with its realistic carbon fibre look and individual, dynamic 3D effect, underlines the vehicle's dynamic appearance.

RRP £477.60 (incl. VAT)

03 | Exterior mirror cover, carbon fibre-style (A1778112300)

Mercedes-Benz Sport Equipment exterior mirror covers in realistic carbon fibre style with individual, dynamic 3D effect for a sporty look.

RRP £172.80 (incl. VAT)

04 | Front apron spoiler lip, carbon fibre-style (A1778807702)

Mercedes-Benz Sport Equipment front apron spoiler lip in realistic carbon fibre style with individual, dynamic 3D effect underscores the dynamic character of the vehicle.

RRP £315.50 (incl. VAT)



Book a test drive [▶ Hatchback](#)
[▶ AMG](#)



[▶ Find a Retailer](#)

05 | Basic carrier bars (A1778900500)

Aluminium carrier bars, precision-tailored to the body of your Mercedes-Benz. The perfect basis for a range of Mercedes-Benz transport accessories: ski and snowboard rack, bicycle rack or roof boxes. With integral tool for quick, easy fitting. The asymmetrical aerodynamic profile enhances ride comfort by significantly reducing wind noise. Theft protected – lockable end caps and tested to exacting Mercedes-Benz standards (including city crash test).

RRP £247.00 (incl. VAT)

06 | Mercedes-Benz roof box 400 (A0008400000)

An aerodynamic design, tailored to your Mercedes-Benz. In extremely durable material. Designed for quick, optimised attachment to the basic carrier bars. Particularly convenient loading and unloading thanks to the option of double-sided opening.

RRP £416.00 (incl. VAT)

05

06





Book a test drive

- > Hatchback
- > AMG



> Find a Retailer

07



07 | BABY-SAFE plus II child seat, with ISOFIX (A0009701302)

Suitable for children up to around 15 months of age (up to 13 kg), the seat features automatic child seat recognition and standard automatic airbag shutoff for use on the front passenger seat with airbag. The ISOFIX attachment system comes as standard; but can be used with vehicle's three-point seat belt as an alternative.

RRP £261.50 (incl. VAT)

08



08 | DUO plus child seat, with ISOFIX (A0009701702)

Suitable for children between the ages of 9 months to 4 years (9 to 18kg), the seat offers optimum protection in the event of an accident. Sitting, reclining and sleeping positions are adjustable with one simple manoeuvre. A system that grows along with your child: the harness height is easy to adjust in seven stages – with central, one-pull belt length adjustment.

RRP £306.00 (incl. VAT)

09



77

09 | KIDFIX XP child seat, with ISOFIX (A0009702302)

Suitable for children between the ages of 3.5–12 years (15–36 kg) and securely attached to the vehicle by means of ISOFIX or the vehicle seat belt. The seat's strengths include its exemplary side impact protection, courtesy of the energy-absorbing XP-PAD, which reduces impact in the event of a collision. Large, padded side wings also enhance side impact protection. Adjustable belt guides and headrest allow the seat to grow with your child.

RRP £250.01 (incl. VAT)



10 | Boot tub, shallow (A1778140100)

The shape of the tub, with its slightly raised edge, is optimally tailored to the load area. Very robust – made from impact-resistant, non-split polypropylene. The structured surface prevents the load from sliding around, and makes it easy to secure the optional stowage crate.

RRP £84.00 (incl. VAT)

11 | Stowage crate (A0008140400)

The robust plastic stowage crate creates order in the boot. The crate is simple to transport and can easily be fastened with the included Velcro strips: either in the existing eyelets of your boot or on the finned structure of the boot tub. With the three accompanying partition grilles you can divide the crate into up to four areas. Capacity: 66 litres.

RRP £87.00 (incl. VAT)





Technical data - Hatchback

		Petrol engines			
Model		A 180	A 200	A 250	A 250 e
Engine					
Total displacement	cc	1,332	1,332	1,991	1,332
Arrangement/cylinders/valves		in-line/4/16	in-line/4/16	in-line/4/16	in-line/4/16
Power ¹	hp (kW) at rpm	136 (100)/5,000	163 (120)/5,000-5,500	224 (165)/5,500	160+102 (118+75)/5,000-5,500
Torque ¹	Nm at rpm	200/1,460-4,000	250/1,620-4,000	350/1,800-4,000	230/1,620-4,000
Compression ratio		10.6:1	10.6:1	10.5:1	10.6:1
Transmission					
6-speed manual		●	●	-	-
7G-DCT 7-speed automatic		○	○	●	-
8G-DCT 8-speed automatic		-	-	-	●

● Standard ○ Optional - Not available

¹Figures according to Directive 80/1269/EEC in the currently applicable version

²The indicated values were determined according to the prescribed measurement method - Worldwide Harmonised Light Vehicle Test Procedure (WLTP). Figures shown may include options which are not available in the UK.



		Petrol engines					
Model		A 180	A 200	A 250	A 250	A 250 e	
Performance		man.	auto.	man.	auto.	auto.	auto.
Acceleration 0–62 mph	sec	9.2	8.8	8.2	8.0	6.2	6.6
Top speed	mph	134	134	140	140	155 ²	146
Weights and capacities		man.	auto.	man.	auto.	auto.	auto.
Kerb weight	kg	1,350	1,365	1,355	1,375	1,455	1,680
Perm. Gross Vehicle Weight	kg	1,865	1,880	1,870	1,885	1,965	2,155
Boot capacity – seats up		370	370	370	370	370	310
seats down	l	1,210	1,210	1,210	1,210	1,210	1,120
Towing capacity – unbraked		675	680	675	685	725	750
braked	kg	1,400	1,400	1,600	1,600	1,600	1,600
Fuel tank capacity/of which reserve	l	43/5	43/5	43/5	43/5	43/5	35/5
Turning circle	m	11.00	11.00	11.00	11.00	11.00	11.00
Fuel consumption^{3,4,5}		man.	auto.	man.	auto.	auto.	auto.
Combined (consumption dependent on chosen optional equipment)	l/100 km mpg	5.9–6.1 47.9–46.3	6.0–6.1 47.1–46.3	5.9–6.1 47.9–46.3	6.0–6.2 47.1–45.6	6.8–6.9 41.5–40.9	1.1 256.8

²Electronically limited ³All figures are based on a standard specification with the smallest tyre size ⁴The choice of wheels and transmission may affect CO₂ emissions and corresponding Road Fund Licence

⁵The indicated values were determined according to the prescribed measurement method – Worldwide Harmonised Light Vehicle Test Procedure (WLTP). Figures shown may include options which are not available in the UK

Figures shown are for comparability purposes; only compare with other cars tested to the same technical procedures. Figures may not reflect real life driving results, which will depend upon a number of factors including factory-fitted options, accessories fitted (post registration), variations in weather, driving styles and vehicle load. Further information about the test used to establish fuel consumption and CO₂ figures can be found at <http://www.mercedes-benz.co.uk/WLTP>



Model	Petrol engines							
	A 180	A 200	A 250	A 200	A 250	A 250 e		
CO₂ emissions^{4,5,*}	g/km		man.	auto.	man.	auto.	auto.	auto.
Emissions standard	EU6	EU6	EU6	EU6	EU6	EU6	EU6	EU6
16" alloy wheels (205/60 tyres)	121	121	-	-	-	-	-	-
17" alloy wheels (205/55 tyres)	121	121	122	120	-	-	-	-
18" alloy wheels (225/45 tyres)	121	121	122	120	136	136	32	32

Insurance

Group rating	19-21	19-21	23-24	23-24	29-31	tba
	19-21	19-21	23-24	23-24	29-31	tba

Insurance ratings may vary depending on model line and specification. Please refer to <http://www.thatcham.org/abigrouprating/> for further details

⁴The choice of wheels and transmission may affect CO₂ emissions and corresponding Road Fund Licence

⁵The indicated values were determined according to the prescribed measurement method - Worldwide Harmonised Light Vehicle Test Procedure (WLTP). Figures shown may include options which are not available in the UK

*CO₂ figures have been converted into NEDC-equivalent values for use with the current VED and BIK tax legislation

Figures shown are for comparability purposes; only compare with other cars tested to the same technical procedures. Figures may not reflect real life driving results, which will depend upon a number of factors including factory-fitted options, accessories fitted (post registration), variations in weather, driving styles and vehicle load. Further information about the test used to establish fuel consumption and CO₂ figures can be found at <http://www.mercedes-benz.co.uk/WLTP>



Model	Petrol engines	
	Mercedes-AMG A35 4MATIC	Mercedes-AMG A45 S 4MATIC+ /Plus
Engine		
Total displacement	cc 1,991	1,991
Arrangement/cylinders/valves	in-line/4/16	in-line/4/16
Power ¹	hp (kW) at rpm 306 (225)/5,800	421 (310)/6,750
Torque ¹	Nm at rpm 400/3,000–4,000	500/5,000–5,250
Compression ratio	10.0:1	9.0:1
Transmission		
6-speed manual	–	–
7G-DCT 7-speed automatic	●	–
8G-DCT 8-speed automatic	–	●
Performance		
	auto.	auto.
Acceleration 0–62 mph	sec 4.7	3.9
Top speed	mph 155 ²	168 ²

Model	Petrol engines	
	Mercedes-AMG A35 4MATIC	Mercedes-AMG A45 S 4MATIC+ /Plus
Weights and capacities		
	auto.	auto.
Kerb weight	kg 1,555	1,635
Perm. Gross Vehicle Weight	kg 2,055	2,100
Boot capacity – seats up	370	370
seats down	l 1,210	1,210
Towing capacity – unbraked	750	750
braked	kg 1,800	1,500
Fuel tank capacity/of which reserve	l 51/5	51/5
Turning circle	m 11.54	11.54
Fuel consumption^{3,4,5}		
	auto.	auto.
Combined (consumption dependent on chosen optional equipment)	l/100 km 7.9–8.3 mpg 35.8–34.0	8.6–8.7 32.8–32.5



Model	Petrol engines	
	Mercedes-AMG A35 4MATIC	Mercedes-AMG A45 S 4MATIC+ /Plus
CO₂ emissions^{4,5,*}	g/km auto.	auto.
Emissions standard	EU6	EU6
18" alloy wheels (235/40 tyres)	167	-
19" alloy wheels (235/35 tyres)	169	192

Model	Petrol engines	
	Mercedes-AMG A35 4MATIC	Mercedes-AMG A45 S 4MATIC+ /Plus
Insurance		
Group rating	37E	tba

Insurance ratings may vary depending on model line and specification.
Please refer to <http://www.thatcham.org/abigrouprating/> for further details

³All figures are based on a standard specification with the smallest tyre size ⁴The choice of wheels and transmission may affect CO₂ emissions and corresponding Road Fund Licence

⁵The indicated values were determined according to the prescribed measurement method - Worldwide Harmonised Light Vehicle Test Procedure (WLTP). Figures shown may include options which are not available in the UK

*CO₂ figures have been converted into NEDC-equivalent values for use with the current VED and BIK tax legislation

Figures shown are for comparability purposes; only compare with other cars tested to the same technical procedures. Figures may not reflect real life driving results, which will depend upon a number of factors including factory-fitted options, accessories fitted (post registration), variations in weather, driving styles and vehicle load. Further information about the test used to establish fuel consumption and CO₂ figures can be found at <http://www.mercedes-benz.co.uk/WLTP>



		Diesel engines			
Model		A 180 d	A 200 d	A 220 d	
Engine					
Total displacement	cc	1,461	1,950	1,950	
Arrangement/cylinders/valves		in-line/4/8	in-line/4/16	in-line/4/16	
Power ¹	hp (kW) at rpm	116 (85)/4,000	150 (110)/3,400	190 (140)/3,800	
Torque ¹	Nm at rpm	260/1,750–2,500	320/1,400–3,200	400/1,600–2,600	
Compression ratio		15.1 :1	15.1 :1	15.1 :1	
Transmission					
6-speed manual		●	–	–	
7G-DCT 7-speed automatic		○	–	–	
8G-DCT 8-speed automatic		–	●	●	
Performance		man.	auto.	auto.	auto.
Acceleration 0–62 mph	sec	10.6	10.5	8.1	7.0
Top speed	mph	126	126	137	146



Model		Diesel engines			
		A 180 d	A 200 d	A 220 d	
Weights and capacities		man.	auto.	auto.	auto.
Kerb weight	kg	1,425	1,445	1,490	1,520
Perm. Gross Vehicle Weight	kg	1,920	1,935	1,995	2,015
Boot capacity – seats up seats down	l	360	360	360	360
		1,200	1,200	1,200	1,200
Towing capacity – unbraked braked	kg	710	720	745	750
		1,400	1,400	1,600	1,600
Fuel tank capacity/of which reserve	l	43/5	43/5	43/5	43/5
Turning circle	m	11.00	11.00	11.00	11.00
Fuel consumption^{2,3,4}		man.	auto.	auto.	auto.
Combined (consumption dependent on chosen optional equipment)	l/100 km	4.6–4.7	4.5–4.6	4.8–4.9	4.9–5.0
	mpg	61.4–60.1	62.8–61.4	58.9–57.7	57.7–56.5

²All figures are based on a standard specification with the smallest tyre size ³The choice of wheels and transmission may affect CO₂ emissions and corresponding Road Fund Licence

⁴The indicated values were determined according to the prescribed measurement method – Worldwide Harmonised Light Vehicle Test Procedure (WLTP). Figures shown may include options which are not available in the UK.

Figures shown are for comparability purposes; only compare with other cars tested to the same technical procedures. Figures may not reflect real life driving results, which will depend upon a number of factors including factory-fitted options, accessories fitted (post registration), variations in weather, driving styles and vehicle load. Further information about the test used to establish fuel consumption and CO₂ figures can be found at <http://www.mercedes-benz.co.uk/WLTP>

A 200 d and A 220 d Hatchback engines are RDE (Real Driving Emissions) Step 2 Certified (Euro 6d). This results in a lower VED and BIK rate as these engines will not be subject to the diesel surcharge



Model	Diesel engines				
	A 180 d	A 200 d	A 220 d		
CO₂ emissions^{3,4,*}	g/km	man.	auto.	auto.	auto.
Emissions standard		EU6	EU6	EU6 ⁵	EU6 ⁵
16" alloy wheels (205/60 tyres)		106	101	-	-
17" alloy wheels (205/55 tyres)		106	101	107	-
18" alloy wheels (225/45 tyres)		106	101	107	111

Insurance

Group rating	tba	17-19	tba	tba
--------------	-----	-------	-----	-----

Insurance ratings may vary depending on model line and specification. Please refer to <http://www.thatcham.org/abigrouprating/> for further details

³The choice of wheels and transmission may affect CO₂ emissions and corresponding Road Fund Licence

⁴The indicated values were determined according to the prescribed measurement method – Worldwide Harmonised Light Vehicle Test Procedure (WLTP). Figures shown may include options which are not available in the UK.

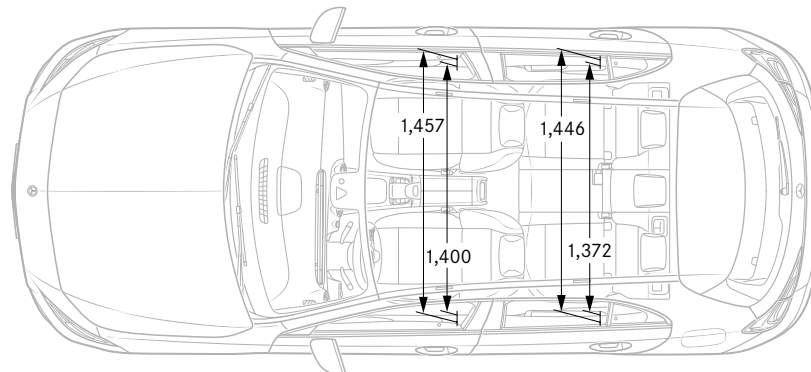
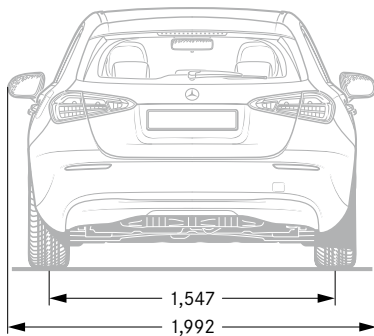
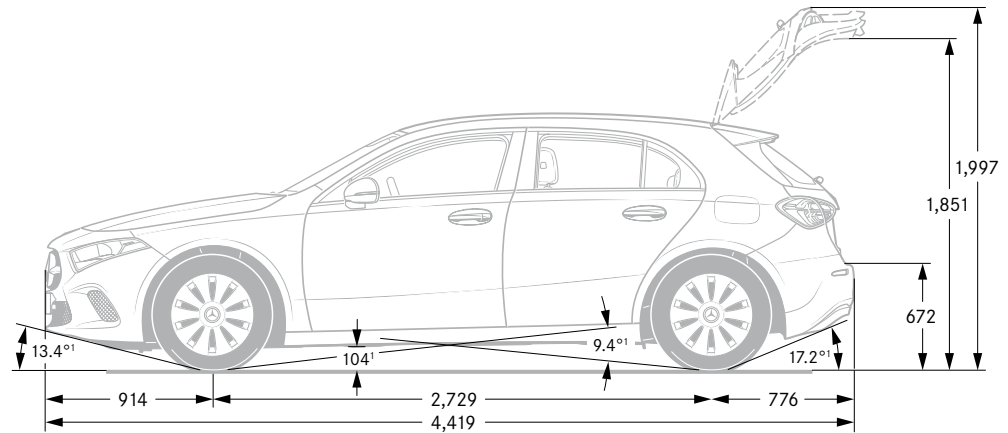
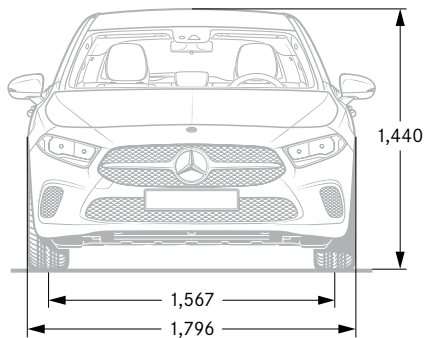
*CO₂ figures have been converted into NEDC-equivalent values for use with the current VED and BIK tax legislation.

Figures shown are for comparability purposes; only compare with other cars tested to the same technical procedures. Figures may not reflect real life driving results, which will depend upon a number of factors including factory-fitted options, accessories fitted (post registration), variations in weather, driving styles and vehicle load. Further information about the test used to establish fuel consumption and CO₂ figures can be found at <http://www.mercedes-benz.co.uk/WLTP>

A 200 d and A 220 d Hatchback engines are RDE (Real Driving Emissions) Step 2 Certified (Euro 6d). This results in a lower VED and BIK rate as these engines will not be subject to the diesel surcharge



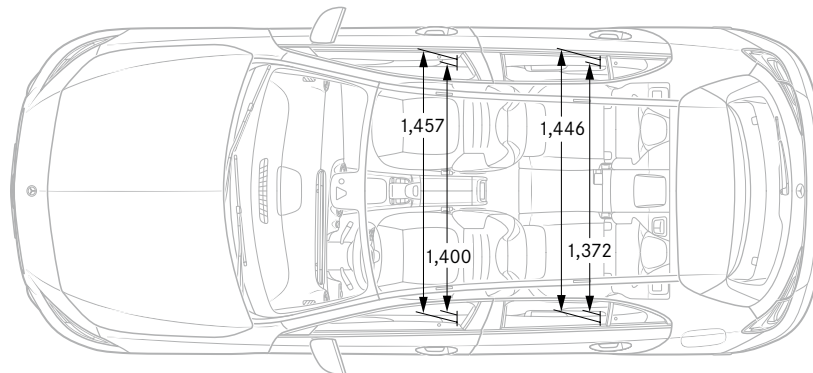
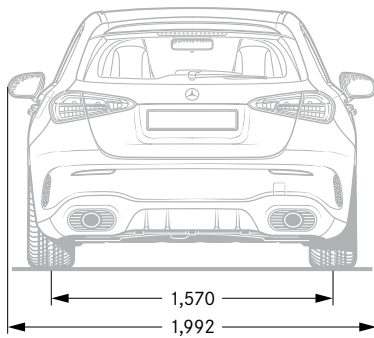
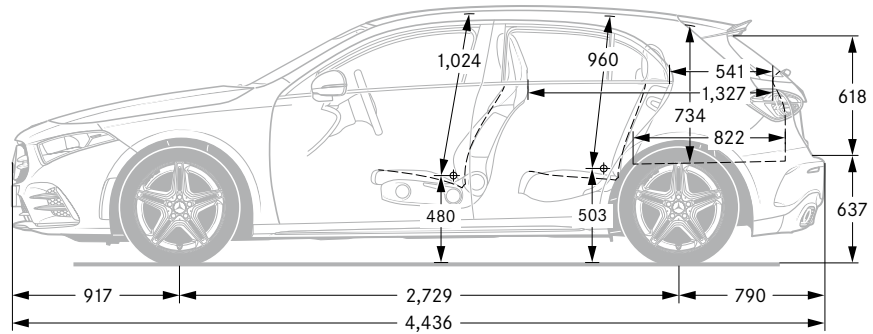
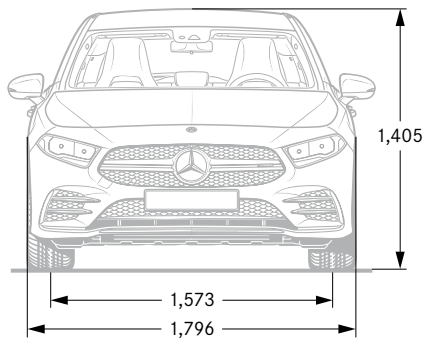
SE, Sport and AMG Line



¹At Permissible Gross Vehicle Weight. All measurements in millimetres. The dimensions shown are mean values and apply to standard-specification, unladen vehicles.

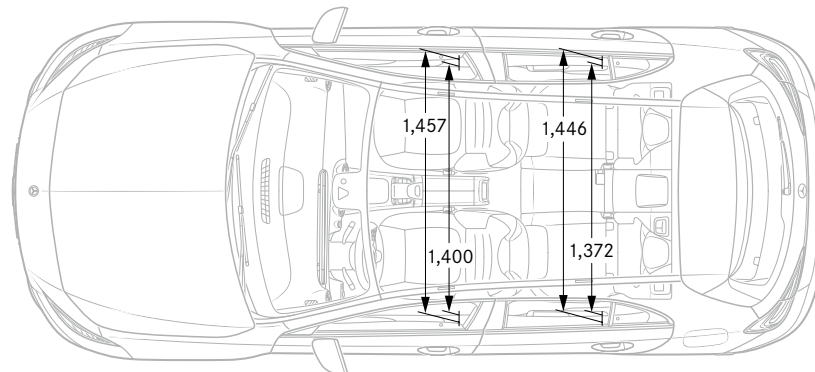
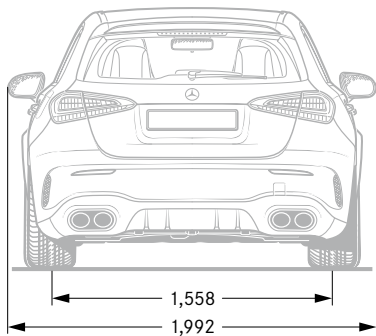
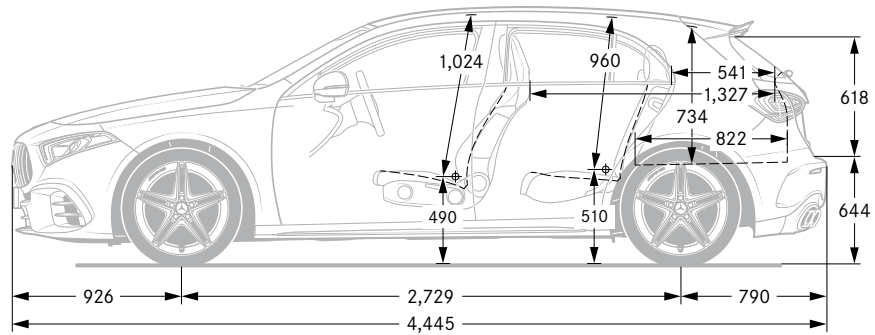
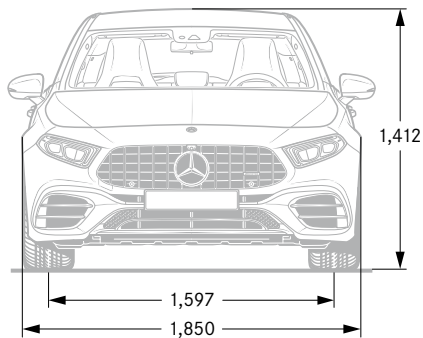


Mercedes-AMG A 35 4MATIC





Mercedes-AMG A 45 S 4MATIC+/Plus





Technical data – Saloon

		Petrol engines				
Model		A 180	A 200	A 250	A 250e	
Engine						
Total displacement	cc	1,332	1,332	1,991	1,332	
Arrangement/cylinders/valves		in-line/4/16	in-line/4/16	in-line/4/16	in-line/4/16	
Power ¹	hp (kW) at rpm	136 (100)/5,500	163 (120)/5,500	224 (165)/5,800	160+102 (118+75)/5,000–6,000	
Torque ¹	Nm at rpm	200/1,460	250/1,620	350/1,800	230/1,620–4,000	
Compression ratio		10.6:1	10.6:1	10.5:1	10.6:1	
Transmission						
6-speed manual		–	●	–	–	
7G-DCT 7-speed automatic		●	○	●	–	
8G-DCT 8-speed automatic		–	–	–	●	
Performance		man.	auto.	man.	auto.	auto.
Acceleration 0–62 mph	sec	9.3	8.9	8.3	8.1	6.3
Top speed	mph	134	134	143	143	155 ²



Model		Petrol engines					
		A 180	A 200	A 250	A 250e		
Weights and capacities		man.	auto.	man.	auto.	auto.	auto.
Kerb weight	kg	1,360	1,375	1,365	1,385	1,465	1,700
Perm. Gross Vehicle Weight	kg	1,890	1,905	1,900	1,915	1,995	2,175
Boot capacity – seats up		–	–	–	–	–	–
seats down	l	405	405	405	405	405	345
Towing capacity – unbraked		680	685	680	690	730	750
braked	kg	1,400	1,400	1,600	1,600	1,600	1,600
Fuel tank capacity/of which reserve	l	43/5	43/5	43/5	43/5	43/5	35/5
Turning circle	m	11.00	11.00	11.00	11.00	11.00	11.00
Fuel consumption^{3,4,5}		man.	auto.	man.	auto.	auto.	auto.
Combined (consumption dependent on chosen optional equipment)	l/100 km mpg	5.9–6.0 47.9–47.1	5.9–6.1 47.9–46.3	5.9–6.0 47.9–47.1	5.9–6.1 47.9–46.3	6.8–6.9 41.5–40.9	1.1 256.8

³All figures are based on a standard specification with the smallest tyre size ⁴The choice of wheels and transmission may affect CO₂ emissions and corresponding Road Fund Licence

⁵The indicated values were determined according to the prescribed measurement method – Worldwide Harmonised Light Vehicle Test Procedure (WLTP). Figures shown may include options which are not available in the UK
Figures shown are for comparability purposes; only compare with other cars tested to the same technical procedures. Figures may not reflect real life driving results, which will depend upon a number of factors including factory-fitted options, accessories fitted (post registration), variations in weather, driving styles and vehicle load. Further information about the test used to establish fuel consumption and CO₂ figures can be found at <http://www.mercedes-benz.co.uk/WLTP>



Model	Petrol engines							
	A 180		A 200		A 250	A 250e		
CO₂ emissions^{4,5,*}	g/km		man.	auto.	man.	auto.	auto.	auto.
Emissions standard	EU6		EU6	EU6	EU6	EU6	EU6	EU6
16" alloy wheels (205/60 tyres)	-		-	-	-	-	-	-
17" alloy wheels (205/55 tyres)	120		120	120	119	-	-	-
18" alloy wheels (225/45 tyres)	120		120	120	119	134	31	31

Insurance

Group rating: base model	tba	tba	23-24	23-24	29-31	tba
--------------------------	-----	-----	-------	-------	-------	-----

Insurance ratings may vary depending on model line and specification. Please refer to <http://www.thatcham.org/abigrouprating/> for further details

⁴The choice of wheels and transmission may affect CO₂ emissions and corresponding Road Fund Licence

⁵The indicated values were determined according to the prescribed measurement method - Worldwide Harmonised Light Vehicle Test Procedure (WLTP). Figures shown may include options which are not available in the UK

*CO₂ figures have been converted into NEDC-equivalent values for use with the current VED and BIK tax legislation

Figures shown are for comparability purposes; only compare with other cars tested to the same technical procedures. Figures may not reflect real life driving results, which will depend upon a number of factors including factory-fitted options, accessories fitted (post registration), variations in weather, driving styles and vehicle load. Further information about the test used to establish fuel consumption and CO₂ figures can be found at <http://www.mercedes-benz.co.uk/WLTP>



		Petrol engines	
Model		Mercedes-AMG A 35 4MATIC	
Engine			
Total displacement	cc	1,991	
Arrangement/cylinders/valves		in-line/4/16	
Power ¹	hp (kW) at rpm	306 (225)/5,800	
Torque ¹	Nm at rpm	400/3,000–4,000	
Transmission			
6-speed manual		–	
7G-DCT 7-speed automatic		●	
Performance		auto.	
Acceleration 0–62 mph	sec	4.8	
Top speed	mph	155 ²	

		Petrol engines	
Model		Mercedes-AMG A 35 4MATIC	
Weights and capacities		auto.	
Kerb weight	kg	1,570	
Perm. Gross Vehicle Weight	kg	2,080	
Boot capacity – seats up		–	
seats down	l	420	
Towing capacity – unbraked		750	
braked	kg	1,800	
Fuel tank capacity/of which reserve	l	51/5	
Turning circle	m	11.54	
Fuel consumption^{3,4,5}		auto.	
Combined (consumption dependent on chosen optional equipment)	l/100 km mpg	7.7–8.1 36.7–34.9	



		Petrol engines
Model		Mercedes-AMG A 35 4MATIC
CO ₂ emissions ^{4,5,*}	g/km	auto.
Emissions standard		EU6
18" alloy wheels (235/40 tyres)		164
19" alloy wheels (235/35 tyres)		167

		Petrol engines
Model		Mercedes-AMG A 35 4MATIC
Insurance		
Group rating		tba
Insurance ratings may vary depending on model line and specification. Please refer to http://www.thatcham.org/abigrouprating/ for further details		

³All figures are based on a standard specification with the smallest tyre size ⁴The choice of wheels and transmission may affect CO₂ emissions and corresponding Road Fund Licence

⁵The indicated values were determined according to the prescribed measurement method - Worldwide Harmonised Light Vehicle Test Procedure (WLTP). Figures shown may include options which are not available in the UK

*CO₂ figures have been converted into NEDC-equivalent values for use with the current VED and BIK tax legislation

Figures shown are for comparability purposes; only compare with other cars tested to the same technical procedures. Figures may not reflect real life driving results, which will depend upon a number of factors including factory-fitted options, accessories fitted (post registration), variations in weather, driving styles and vehicle load. Further information about the test used to establish fuel consumption and CO₂ figures can be found at <http://www.mercedes-benz.co.uk/WLTP>



		Diesel engines			
Model		A 180 d	A 200 d	A 220 d	
Engine					
Total displacement	cc	1,461	1,950	1,950	
Arrangement/cylinders/valves		in-line/4/8	in-line/4/16	in-line/4/16	
Power ¹	hp (kW) at rpm	116 (85)/4,000	150 (110)/3,400	190 (140)/3,800	
Torque ¹	Nm at rpm	260/1,750-2,750	320/1,400-3,200	400/1,600-2,600	
Transmission					
6-speed manual		●	-	-	-
7G-DCT 7-speed automatic		-	●	●	●
Performance					
		man.	auto.	auto.	auto.
Acceleration 0-62 mph	sec	10.7	10.6	8.2	7.1
Top speed	mph	128	128	141	153



Model		Diesel engines			
		A 180 d	A 200 d	A 220 d	
Weights and capacities		man.	auto.	auto.	auto.
Kerb weight	kg	1,440	1,455	1,510	1,540
Perm. Gross Vehicle Weight	kg	1,945	1,965	2,010	2,040
Boot capacity	l	410	410	410	410
Towing capacity – unbraked		720	725	750	750
braked	kg	1,400	1,400	1,600	1,600
Fuel tank capacity/of which reserve	l	43/5	43/5	43/5	43/5
Turning circle	m	11.00	11.00	11.00	11.00
Fuel consumption^{2,3,4}		man.	auto.	auto.	auto.
Combined (consumption dependent on chosen optional equipment)	l/100km mpg	4.5–4.6 62.8–61.4	4.5–4.6 62.8–61.4	4.8–4.9 58.9–57.7	4.9 57.7

²All figures are based on a standard specification with the smallest tyre size ³The choice of wheels and transmission may affect CO₂ emissions and corresponding Road Fund Licence

⁴The indicated values were determined according to the prescribed measurement method – Worldwide Harmonised Light Vehicle Test Procedure (WLTP). Figures shown may include options which are not available in the UK
Figures shown are for comparability purposes; only compare with other cars tested to the same technical procedures. Figures may not reflect real life driving results, which will depend upon a number of factors including factory-fitted options, accessories fitted (post registration), variations in weather, driving styles and vehicle load. Further information about the test used to establish fuel consumption and CO₂ figures can be found at <http://www.mercedes-benz.co.uk/WLTP>
A 200 d and A 220 d Saloon engines are RDE (Real Driving Emissions) Step 2 Certified (Euro 6d). This results in a lower VED and BIK rate as these engines will not be subject to the diesel surcharge.



Model		Diesel engines			
		A 180 d	A 200 d	A 220 d	
CO₂ emissions^{3,4,*}	g/km	man.	auto.	auto.	auto.
Emissions standard		EU6	EU6	EU6	EU6
17" alloy wheels (205/55 tyres)		105	100	108	-
18" alloy wheels (225/45 tyres)		105	100	108	109

Insurance

Group rating	17-19	18-19	23-24	26-27
--------------	-------	-------	-------	-------

Insurance ratings may vary depending on model line and specification. Please refer to <http://www.thatcham.org/abigrouprating/> for further details

³The choice of wheels and transmission may affect CO₂ emissions and corresponding Road Fund Licence

⁴The indicated values were determined according to the prescribed measurement method - Worldwide Harmonised Light Vehicle Test Procedure (WLTP). Figures shown may include options which are not available in the UK

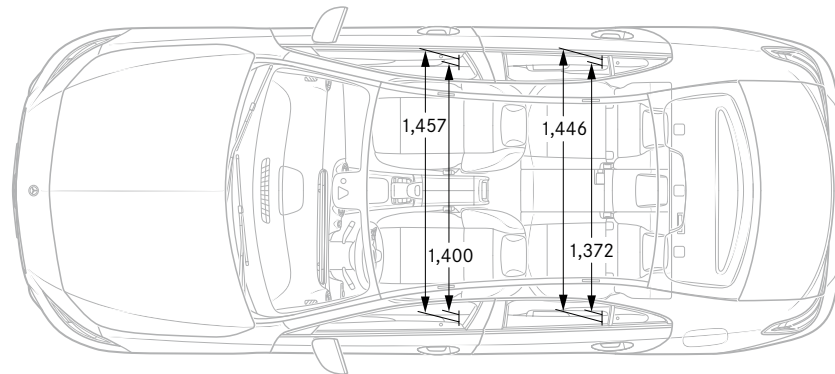
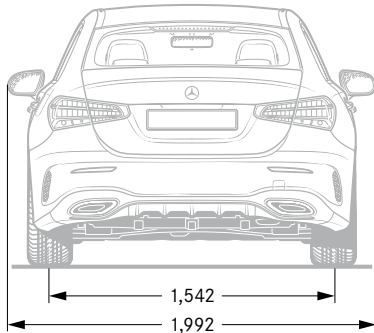
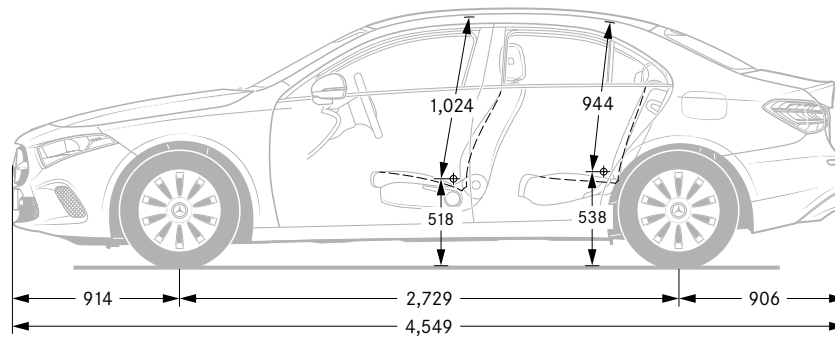
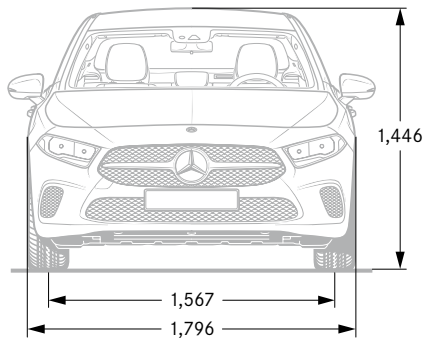
*CO₂ figures have been converted into NEDC-equivalent values for use with the current VED and BIK tax legislation

Figures shown are for comparability purposes; only compare with other cars tested to the same technical procedures. Figures may not reflect real life driving results, which will depend upon a number of factors including factory-fitted options, accessories fitted (post registration), variations in weather, driving styles and vehicle load. Further information about the test used to establish fuel consumption and CO₂ figures can be found at <http://www.mercedes-benz.co.uk/WLTP>

A 200 d and A 220 d Saloon engines are RDE (Real Driving Emissions) Step 2 Certified (Euro 6d). This results in a lower VED and BIK rate as these engines will not be subject to the diesel surcharge.

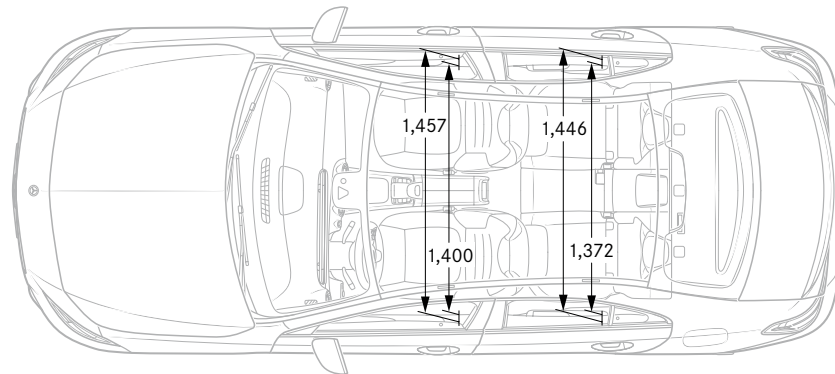
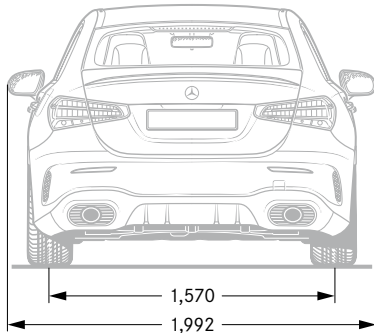
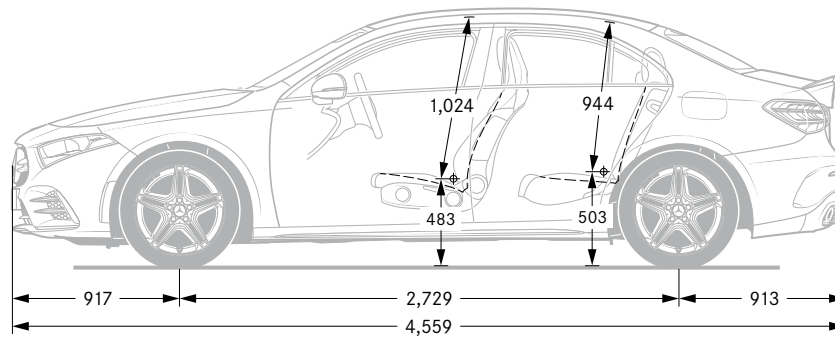
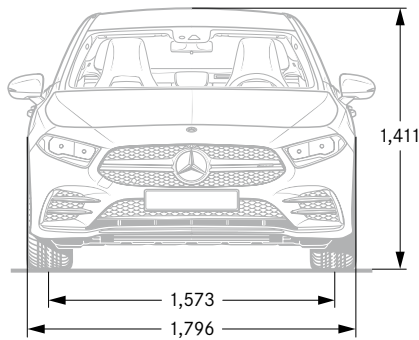


Sport and AMG Line





Mercedes-AMG A 35 4MATIC





Road Fund Licence



All road vehicle registrations are subject to Vehicle Excise Duty (Road Fund Licence), which varies in accordance with the vehicle's CO₂ emissions. A first year rate for each taxation band will apply. The table below shows the bands (A–M) created by the DVLA and the corresponding Road Fund Licence. CO₂ emissions are listed in the technical data on pages 81, 83, 86, 92 and 97, and the relevant Excise Duty is reflected in the on-the-road prices on pages 39–46.

Band	CO ₂ emissions (g/km)	First year rate petrol and RDE2 diesel (£)	First year rate all other diesel (£) ¹	First year rate alternative fuel (£)	Standard rate (£)	Premium rate (£) ²
A	0	0.00	0.00	0.00	0.00	320.00
B	1 to 50	10.00	25.00	0.00	145.00	465.00
C	51 to 75	25.00	110.00	15.00	145.00	465.00
D	76 to 90	110.00	130.00	100.00	145.00	465.00
E	91 to 100	130.00	150.00	120.00	145.00	465.00
F	101 to 110	150.00	170.00	140.00	145.00	465.00
G	111 to 130	170.00	210.00	160.00	145.00	465.00
H	131 to 150	210.00	530.00	200.00	145.00	465.00
I	151 to 170	530.00	855.00	520.00	145.00	465.00
J	171 to 190	855.00	1,280.00	845.00	145.00	465.00
K	191 to 225	1,280.00	1,815.00	1,270.00	145.00	465.00
L	226 to 255	1,815.00	2,135.00	1,805.00	145.00	465.00
M	over 255	2,135.00	2,135.00	2,125.00	145.00	465.00

Some of the model features, optional extras and colours shown may not be available, or may only be available in a different specification

¹Applies to all Mercedes-Benz diesel models which do not comply with RDE (Real Driving Emissions) Step 2 Certified (Euro 6d)

²Premium rate only applicable to vehicles where the list price is over £40,000 including any factory-fitted options, standard UK delivery charge, number plates, fuel and VAT



Services and insurance

Mercedes-Benz ServiceCare

We believe that servicing costs should be as flexible and affordable as possible for your A-Class, which is why we offer ServiceCare, an easy way to budget for all your servicing costs. It spreads your bills into manageable payments based on whether you have a new or used Mercedes-Benz.

With ServiceCare we guarantee the price of parts and labour for up to four services and safeguard against any further inflation. It also covers the cost of all recommended service items including brake fluid, spark plugs, air filters, fuel filters and screen wash.

You can choose either to add your servicing costs into your monthly spend or pay the full amount in a one-off payment, giving you peace of mind that they are taken care of for the period of the plan.

To receive a personalised ServiceCare plan recommendation visit the ServiceCare Calculator at servicecarerates.mercedes-benz.co.uk

Warranty and breakdown cover

Every Mercedes-Benz comes with a three-year unlimited mileage warranty against manufacturing or material defects¹ and up to 30 years warranty against perforation due to corrosion from the inside out.² What's more, it's also covered by Mercedes-Benz Roadside Assistance – a unique package comprising up to 30 years pan-European breakdown assistance.²

Motor Insurance

Superb cover comes as standard. When reviewed by an independent research company, Defaqto, Mercedes-Benz Motor Insurance received a five-star rating, the highest rating available. We design our Motor Insurance specifically for Mercedes-Benz drivers.

For more information or to obtain a quote, click [here](#).



Book a test drive

- > Hatchback
- > AMG



> Find a Retailer

Mercedes-Benz Finance

Why should you finance with Mercedes-Benz?

At Mercedes-Benz we believe a great driving experience should be matched by an equally great ownership experience. That is why we put just as much thought, time and effort into designing our finance options, our service plans and our insurance cover as we do into our vehicles.

We are not in the business of simply providing a loan to fund the purchase of your dream vehicle. We look on it as a journey that we take with you, from the moment you choose your new Mercedes-Benz, to helping you in choosing your next one.

If you would like to find out more about any of our current offers, simply call into your local Mercedes-Benz Retailer where one of our Business Managers will be more than happy to talk you through anything you need to know.

Helping you find the right solution.

You should find our finance packages are more convenient than a traditional personal loan because:

- Funds are immediately available – no waiting for cheques or loans to clear.
- There is no security required – either against your home or other assets.
- We have clear and transparent rates – the APR we quote is the APR you get.
- We have friendly Business Managers – experts in vehicle finance who can talk you through all of your plans in detail.

One of our most popular finance products is Mercedes-Benz Agility (our Personal Contract Purchase product). We also offer Contract Hire, Operating Lease and Hire Purchase solutions. If you would like to find out more about these speak to your Retailer or visit www.mercedes-benz.co.uk/fandi.

Mercedes-Benz Agility (our PCP product).

At the start of an Agility agreement, you put down a deposit and decide the term of your agreement and your annual mileage. You will be advised of the Guaranteed Future Value, which offers you the reassurance of knowing exactly what you will need to pay to own the vehicle outright in the future (this is known as the Optional Purchase Payment).

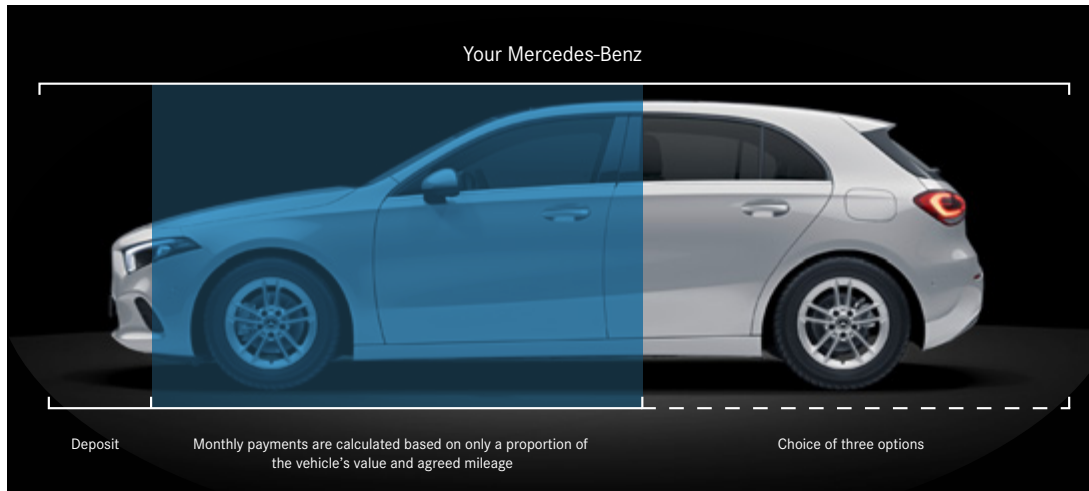
Throughout your agreement you simply pay your agreed monthly payments and when the agreement comes to an end you either purchase, hand back or part-exchange your vehicle.





Agility features:

- Fixed regular payments mean you can easily budget.
- Payments are based only on a proportion of the vehicle's value, keeping your monthly payments lower.
- Our Guaranteed Future Value avoids the risk of unplanned depreciation of your vehicle.
- You defer your ownership decision until the end of the agreement.



At the end of your agreement you have three options to choose from.

Option 1: Purchase your Mercedes-Benz.

Purchase your Mercedes-Benz by paying the Optional Purchase Payment and Purchase Activation Fee.¹ This will complete the purchase of your Mercedes-Benz, leaving you free to simply enjoy your vehicle.

Option 2: Hand back your Mercedes-Benz.

If you decide to return your vehicle to us, it must be in line with our Vehicle Return Standards,^{*} as vehicle condition, excess mileage and other charges may be payable.

Option 3: Part-Exchange for a new vehicle.

Purchase your Mercedes-Benz by paying the Optional Purchase Payment and Purchase Activation Fee.¹ This will complete the purchase of your Mercedes-Benz, leaving you free to part-exchange for a new vehicle.

¹Please note the 'Purchase Activation Fee' of £10 will be debited from your account *To find out more information about our Vehicle Return Standards please visit <http://mercedes-benz.co.uk/vrs>





Book a test drive > Hatchback
> AMG





> Find a Retailer

Follow us on the following social media channels:

 facebook.com/mercedesbenzuk

 twitter.com/mercedesbenzuk

 youtube.com/mercedesbenzuk

 instagram.com/mercedesbenzuk

Effective from December 2019 Production. Information correct at time of publication.

Prices and specifications are subject to change without prior notice.

MBWV177PL/1219 MY800.5

Mercedes-Benz Cars UK Limited, Tongwell, Milton Keynes, MK15 8BA. Company number 2448457 www.mercedes-benz.co.uk